

Price List



Featured Products ...



Microchannel Condenser with AC Motors
See page 177



Slim Contour
See page 14



1/2 - 6 HP Air-Cooled Condensing Units with HyperCore™ MicroChannel Coils & VSEC Condenser Fan Motors
See page 83



4 - 13 HP Air-Cooled Condensing Units with Bitzer Compressors
See page 101



12 - 40 HP Air-Cooled Condensing Units
See page 107



13 - 50 HP Air-Cooled Condensing Units with Bitzer Compressors
See page 115



26 - 100 HP Air-Cooled Condensing Units with Bitzer Compressors
See page 129



PRO3 Side Mount Packaged Refrigeration System
See page 159



Two Stage Condensing Units & Systems
See page 192



Remote Refrigeration Control
See page 190

Quick Section Listing

Unit Coolers

1 Reach-In Unit Coolers

11 Step-In Unit Coolers

14 Walk-In Unit Coolers

66 Refrigerated Warehouse Unit Coolers

Section 1

Compressorized Products

83 Air-Cooled Condensing Units

138 Water-Cooled Condensing Units

149 Remote Compressor Units

155 PRO3 Packaged Refrigeration Systems

Section 2

Condensers & Fluid Coolers

161 Air-Cooled Condensers

180 Fluid Coolers

Section 3

More Products & Services

187 Refrigeration Controls & Technology

191 Other Products & Services

Section 4

Resources & Information

197 Terms of Sale & Product Warranty

Section 5

Section I: Reach-In Unit Coolers

Thin Profile Air Defrost	1
Thin Profile Electric Defrost	2
C Profile	3
V Profile	4
Back Bar	5
Mullion	6
Reverse Mullion	7
Twin Flow	8
Dual Air	9
Shipped-Loose Accessories	10

Section II: Step-In Unit Coolers

Extended Thin Profile	11
Models & Options Pricing	12
Shipped-Loose Accessories	13

Section III: Walk-In Unit Coolers

Slim Counter	14
Air Defrost Models & Options	15
Shipped-Loose Accessories	16
Low Profile	17
Air Defrost Models & Options	18
Electric Defrost Models & Options	21
Hot Gas Defrost Models & Options	25
Hot Gas Reverse Cycle Kits	29
Hot Gas 3-Pipe Kits	30
Shipped-Loose Accessories	31
Low Flow	32
Air Defrost Models & Options	33
Electric Defrost Models & Options	35
Hot Gas Defrost Models & Options	36
Shipped-Loose Accessories	38
Low Velocity Center Mount	39
Air Defrost Models & Options	40
Electric Defrost Models & Options	42
Hot Gas Defrost Models & Options	43
Shipped-Loose Accessories	44
Center Mount	45
Air Defrost Models & Options	46
Electric Defrost Models & Options	48
Shipped-Loose Accessories	49
Medium Profile	50
Air Defrost Models & Options	51
Electric Defrost Models & Options	54
Hot Gas Defrost Models & Options	60
Hot Gas Reverse Cycle Kits	64
Shipped-Loose Accessories	65

Section IV: Refrigerated Warehouse Unit Coolers

Large Unit Coolers	66
Air Defrost Models & Options	67
Electric Defrost Models & Options	70
Hot Gas Defrost Models & Options	75
Hot Gas Reverse Cycle Kits	80
Shipped-Loose Accessories	81

Section V: Air-Cooled Condensing Units

½ - 6 HP Horizontal Air Discharge	83
Standard & Configurable Models Pricing	84
Factory-Installed Options	89
Factory-Installed Electric Defrost Options	91
Shipped-Loose Accessories	92
3 - 22 HP Horizontal Air Discharge	93
Standard & Configurable Models Pricing	94
Factory-Installed Options	96
Factory-Installed Electric Defrost Options	99
Shipped-Loose Accessories	100
4 - 13 HP Horizontal Air Discharge	101
Configurable Models Pricing	102
Factory-Installed Options	103
Factory-Installed Electric Defrost Options	105
Shipped-Loose Accessories	106
12 - 40 HP Vertical Air Discharge	107
Configurable Models Pricing	108
Factory-Installed Options	110
Factory-Installed Electric Defrost Options	113
Shipped-Loose Accessories	114
13 - 50 HP Vertical Air Discharge	115
Configurable Models Pricing	116
Factory-Installed Options	117
Factory-Installed Electric Defrost Options	119
Shipped-Loose Accessories	120
24 - 80 HP Dual Compressor	121
Configurable Models Pricing	122
Factory-Installed Options	124
Factory-Installed Electric Defrost Options	127
Shipped-Loose Accessories	128
26 - 100 HP Dual Compressor	129
Configurable Models Pricing	130
Factory-Installed Options	132
Factory-Installed Electric Defrost Options	136
Shipped-Loose Accessories	137

Section VI: Water-Cooled Condensing Units

½ - 6 HP	138
Configurable Models Pricing	139
Factory-Installed Options	141
Factory-Installed Electric Defrost Options	142
Shipped-Loose Accessories	143
¾ - 22 HP	144
Configurable Models Pricing	145
Factory-Installed Options	146
Factory-Installed Electric Defrost Options	147
Shipped-Loose Accessories	148

Section VII: Remote Compressor Units

¾ - 22 HP	149
Configurable Models Pricing	150
Factory-Installed Options	152
Factory-Installed Electric Defrost Options	153
Shipped-Loose Accessories	154

Section VIII: PRO3 Packaged Refrigeration Systems

Top Mount	155
Standard Models Pricing.....	156
Side Mount	159
Standard Models Pricing.....	160

Section IX: Air-Cooled Condensers

1 - 26 Ton	161
Configurable Models & Options Pricing.....	162
Ship-Loose Accessories	164
11 – 264 Ton	165
Configurable Models Pricing.....	166
Options Pricing - VSEC Models.....	170
Options Pricing - Fixed Speed Models	171
Coil Options Pricing - All Models.....	173
Microchannel Condenser	177
Configurable Models Pricing.....	178
Options Pricing – VSEC Models	178
Options Pricing – AC Models	179

Section X: Fluid Coolers

Small Fluid Coolers	180
Configurable Models & Options Pricing.....	181
Shipped-Loose Accessories	182
Large Fluid Coolers	183
Configurable Models Pricing.....	184
Options Pricing – All Models.....	185
Shipped-Loose Accessories	186

Section XI: Refrigeration Controls & Technology

Beacon II™ Refrigeration System	187
HyperCore™ Micro-Channel Coils	189
SunSource™	189
Remote Refrigeration Control	190

Section XII: Other Products & Services

Mohave™ Advanced Hot Gas Defrost System	191
Two Stage Condensing Units & Systems	192
FlexPack™	193
Refrigeration Racks	194
Air Handlers	194
Compressor Protection Plan	195
Extended Service Agreements	196

Section XIII: Terms of Sales & Product Warranty

Terms & Conditions of Sale	197
Catalog Products Warranty	200
Warranty FAQ	202

Page left blank intentionally.

Thin Profile Air Defrost

Overview



Product Description

Model TA is a thin profile air defrost unit which mounts in the top of a refrigerator and makes the entire top shelf area usable. The attractive low silhouette makes the unit particularly desirable for display type refrigerators. It can also be used in back bars, under counter cabinets, or wherever space is at a premium and is ideal for 35° to 45°F fixtures at 10° to 15° TD applications with 16 hours maximum compressor run time per day.

Certifications



Standard Features

- Textured aluminum cabinet
- Molded Polycarbonate guards and fans
- Drain fitting mounted at 45° angle so drain can be run through back or bottom of refrigerator
- Expansion valve can be mounted inside the cabinet
- Stainless steel screws
- Motors are thermally protected and permanently lubricated
- Convenient, moisture proof motor plug
- Compact design achieves a big job in a small space
- Internal junction box for electrical connection
- Sweat inlet connection standard to reduce leaks

Options

- Flare connection available as a ship loose option
- Optional coated coil available (Model TAK) for enhanced protection in corrosive environments

Model Pricing

Chandler Standard Model	Voltage	List Price (\$US)	Chandler Standard Model	Voltage	List Price (\$US)
TA10AG	115/1/60	627	TA43AG	115/1/60	2,024
TA10BG	208-230/1/60	674	TA43BG	208-230/1/60	2,164
TA13AG	115/1/60	811	TA55AG	115/1/60	2,564
TA13BG	208-230/1/60	869	TA55BG	208-230/1/60	2,743
TA17AG	115/1/60	948	TAK10AG	115/1/60	732
TA17BG	208-230/1/60	1,012	TAK10BG	208-230/1/60	785
TA23AG	115/1/60	1,206	TAK13AG	115/1/60	931
TA23BG	208-230/1/60	1,294	TAK13BG	208-230/1/60	1,000
TA30AG	115/1/60	1,498	TAK17AG	115/1/60	1,061
TA30BG	208-230/1/60	1,601	TAK17BG	208-230/1/60	1,137

Chandler Standard Model	Voltage	List Price (\$US)
TAK23AG	115/1/60	1,343
TAK23BG	208-230/1/60	1,437
TAK30AG	115/1/60	1,639
TAK30BG	208-230/1/60	1,753
TAK43AG	115/1/60	2,224
TAK43BG	208-230/1/60	2,381
TAK55AG	115/1/60	2,853
TAK55BG	208-230/1/60	3,056

Nomenclature

TA	K	17	B	G
Model Series	Coil Option	Model Size	Electrical Code	Vintage
Thin Profile Air Defrost	Blank = Standard K = Coated	# x 100 = BTUH	A = 115/1/60 B = 208-230/1/60	

Thin Profile Electric Defrost

Overview



Product Description

Model TL low temperature unit cooler has a completely automatic defrost system. Mounted in the top of a refrigerator, its extremely compact cabinet makes it possible to utilize the entire top shelf area for storage. Having a normal operating range of +20°F. to -20°F., this unit is ideally suited applications including commercial freezers, ice cream boxes, bakery freezers and dual-temp reach-in boxes. Mechanical contact is provided between the heater elements and the drain pan, ensuring a warm pan during the defrost cycle. Opting for EC motors makes this product qualified to be included in the **E Solutions™** product portfolio because of increased energy efficiency and cost savings.

Certifications



Standard Features

- Electric defrost ensures positive heat source
- Built-in fan delay allows coil to be chilled before returning to the normal cooling cycle
- Defrost terminates on coil temperature eliminating excessive defrost period
- Textured aluminum cabinet
- Molded Polycarbonate guard
- Knockouts provided on sides for electrical connections - opening in rear for coil connections
- Expansion valve can be mounted inside the cabinet
- Stainless steel screws
- Motors are thermally protected and permanently lubricated
- Internal junction box for electrical connection
- Plate type aluminum fins with full collars on expanded copper tubes
- Coils are dehydrated and sealed
- Easy to install and maintain
- Sweat inlet connection to reduce leaks
- All models UL listed for the US and Canada
- UL classified to NSF standards

Options

- Flare connection available as a ship loose option
- EC motors available for some models

Model Pricing

Chandler Standard Model	Voltage	List Price (\$US)	Chandler Standard Model	Voltage	List Price (\$US)
TL09AG	115/1/60	1,046	TL21AG	115/1/60	1,767
TL09BG	208-230/1/60	1,046	TL21BG	208-230/1/60	1,767
TL12AG	115/1/60	1,258	TL28AG	208-230/1/60	2,224
TL12BG	208-230/1/60	1,258	TL28BG	208-230/1/60	2,224
TL16AG	115/1/60	1,555	TL35BG	208-230/1/60	2,509
TL16BG	208-230/1/60	1,555	TL53BG	208-230/1/60	3,454

Nomenclature

TL	12	B	G
Model Series	Model Size	Electrical Code	Vintage
Thin Profile Electric Defrost	# x 100 = BTUH	A = 115/1/60 B = 208-230/1/60	

C Profile

Overview



Product Description

Model C is ideal for refrigerated reach-ins. It mounts to the top of the refrigerator and discharges cold air against the back wall. With this air flow pattern, the air is not blasted on the product but is diffused along the back wall and then gently drawn across the product as it returns to the unit. Thus, uniform temperatures are maintained throughout the refrigerator. In addition, door sweating and refrigeration loss due to door opening is greatly reduced because the air is not discharged against the doors. Mounting is made easy by means of aluminum hangers that automatically space the unit the correct distance from the back wall. The expansion valve fits inside, out of sight. Opting for EC motors makes this product qualified to be included in the **E Solutions™** product portfolio because of increased energy efficiency and cost savings.

Certifications



Standard Features

- Textured aluminum cabinet
- Molded Polycarbonate guard
- Drain fitting at 45-degree angle so drain can be run through bottom or back of refrigerator
- Aluminum hangers automatically space the unit to the correct distance from the back wall
- Stainless steel screws prevent rust streaks
- Room for expansion valve inside the unit
- Knockouts in sides and top plus openings in rear provide maximum flexibility for electrical connection
- Full collar aluminum fins on expanded copper tubes
- Internal junction box with pigtail leads for electrical connection
- Motors are thermally protected and permanently lubricated
- Sweat inlet connection standard to reduce leaks
- All models UL listed for US and Canada
- UL classified to NSF standards

Options

- Flare connection available as a ship loose option
- Optional coated coil available (Model CK) for enhanced protection in corrosive environments
- EC motors available

Model Pricing

Chandler Standard Model	Voltage	List Price (\$US)	Chandler Standard Model	Voltage	List Price (\$US)
C13AG	115/1/60	803	CK13AG	115/1/60	862
C13BG	208-230/1/60	862	CK13BG	208-230/1/60	922
C17AG	115/1/60	848	CK17AG	115/1/60	920
C17BG	208-230/1/60	911	CK17BG	208-230/1/60	983
C23AG	115/1/60	987	CK23AG	115/1/60	1,061
C23BG	208-230/1/60	1,060	CK23BG	208-230/1/60	1,137
C30AG	115/1/60	1,271	CK30AG	115/1/60	1,467
C30BG	208-230/1/60	1,413	CK30BG	208-230/1/60	1,564
C43AG	115/1/60	1,588	CK43AG	115/1/60	1,892
C43BG	208-230/1/60	1,702	CK43BG	208-230/1/60	2,028

Nomenclature

C	K	43	B	G
Model Series	Coil Option	Model Size	Electrical Code	Vintage
High Profile Unit Cooler	Blank = Standard K = Coated	# x 100 = BTUH	A = 115/1/60 B = 208-230/1/60	

V Profile

Overview



Product Description

Model VA is a deluxe unit designed for use in small reach-ins, back bar and under counter refrigerators, and many other applications where a small, compact unit is required. The thermal expansion valve mounts inside the unit. The unit can be mounted from the ceiling or off the back wall or end walls, or can be used in a mullion application. Opting for EC motors makes this product qualified to be included in the **E Solutions™** product portfolio because of increased energy efficiency and cost savings.

Certifications



Standard Features

- Textured aluminum cabinet
- Molded Polycarbonate fan guard
- Improved drain pan overlaps coil surface to catch all condensate
- Stainless steel screws prevent rust streaks
- Plate-type aluminum fins with full collars on expanded copper tubes
- Expansion valve can be mounted inside the cabinet
- Internal junction box for electrical connection
- Pigtail leads in junction box
- Motors are thermally protected and permanently lubricated
- Top quality throughout in a compact size
- Sweat inlet connection standard to reduce leaks
- All models UL listed for US and Canada
- UL classified to NSF standards

Options

- Flare connection available as a ship loose option
- Optional coated coil available (Model VAK) for enhanced protection in corrosive environments
- EC motors available for some models

Models Pricing

Chandler Standard Model	Voltage	List Price (\$US)
VA06AG	115/1/60	528
VA06BG	208-230/1/60	565
VA08AG	115/1/60	565
VA08BG	208-230/1/60	609
VA12AG	115/1/60	769
VA12BG	208-230/1/60	826
VA17AG	115/1/60	869
VA17BG	208-230/1/60	928

Chandler Standard Model	Voltage	List Price (\$US)
VAK06AG	115/1/60	610
VAK06BG	208-230/1/60	648
VAK08AG	115/1/60	644
VAK08BG	208-230/1/60	689
VAK12AG	115/1/60	832
VAK12BG	208-230/1/60	890
VAK17AG	115/1/60	931
VAK17BG	208-230/1/60	1,000

Nomenclature

VA	K	08	A	G
Model Series	Coil Option	Model Size	Electrical Code	Vintage
V Profile Unit Cooler	Blank = Standard K = Coated	# x 100 = BTUH	A = 115/1/60 B = 208-230/1/60	

Back Bar

Overview



Product Description

Model BB, available in medium and low temperature, a compact, wall-mounted units featuring a low height making them ideal for under counter reach-in or drawertype fixtures. The unit draws air in at the bottom and discharges out the front. An optional air deflector is included and can be mounted over the center of the fan to direct air up and out. The deflector can be fieldformed to direct the air where needed, usually onto drop-in trays of condiments in salad bar or sandwich preparation fixtures. An S-type mounting angle is included to position the unit 3/4" off the wall, allowing for optimum air circulation and performance.

Certifications



Standard Features

- Molded Polycarbonate fan guards
- Coils have copper tubes with aluminum fins, mechanically bonded for efficient heat transfer. The coils are dehydrated and sealed
- Textured aluminum cabinet
- Knockouts are conveniently located for refrigerant lines
- Screws are hardened, stainless steel
- Expansion valve can be mounted inside the cabinet and connections are sweat-type
- Motors are thermally protected and permanently lubricated
- Master units include the basic unit plus factory mounted expansion valve, solenoid, and temperature control. Also right-hand piping extended 8" - 12" outside the housing, sealed and pressurized to 20 - 30 PSI. A 1/4" OD liquid feed to slave is included
- Slave units include the basic unit plus factory mounted expansion valve with left-hand piping extended 8" - 12" outside the housing, sealed and pressurized to 20 - 30 PSI
- Sweat inlet connection to reduce leaks

Options

- Flare connection available as a ship loose option
- Consult Factory for 208-230V units

Model Pricing

Consult factory for 208-230V units

Chandler Standard Model	Voltage	List Price (\$US)
BBM11AG	115/1/60	1,095
BBM16AG	115/1/60	1,321
BBMM11AG	115/1/60	2,411
BBMM16AG	115/1/60	2,641
BBMS11AG	115/1/60	2,093
BBMS16AG	115/1/60	2,325

Chandler Standard Model	Voltage	List Price (\$US)
BBL10AG	115/1/60	1,475
BBL15AG	115/1/60	1,752
BBLM10AG	115/1/60	3,186
BBLM15AG	115/1/60	3,555
BBLS10AG	115/1/60	2,868
BBLS15AG	115/1/60	3,238

Nomenclature

BB	L	S	10	A	G
Model Series	Unit Temp	Unit Type	Model Size	Electrical Code	Vintage
Back Bar Unit Cooler	L = Low M = Medium	Blank = Standard S = Slave M = Master	# x 100 = BTUH	A = 115/1/60 B = 208-230/1/60	

Mullion

Overview

Section 1



Product Description

Model KMK is ideal for under-counter reachin refrigerators. The thin line design allows the unit to be mounted behind the mullion with sufficient clearance for tray slides. A down flow fan arrangement is used with air drawn in at the top and discharged at the bottom. This design provides superior air circulation and ensures uniform temperature throughout the cabinet. This versatile design is also adaptable for mounting on the back wall or ends of a cooler. The method of air circulation ensures minimum box temperature rise when the cabinet doors are open. Ideal for bottled goods and beverage coolers.

Certifications



Standard Features

- Light grained aluminum cabinets
- PVC coated fan guard
- Stainless steel hardware
- Coils have full collar aluminum fins on expanded copper tubes
- Coated coil for enhanced protection in corrosive environments
- Refrigerant connection knockouts provided on both ends of unit
- Expansion valve can be mounted inside the cabinet
- Motors are thermally protected and permanently lubricated
- Internal junction box for electrical connection
- Adjustable air deflector included provides different air patterns. Air can be directed where it's needed
- Sweat inlet connection to reduce leaks
- All models UL listed for the US and Canada
- UL classified to NSF standards

Options

- Flare connection available as a ship loose option

Model Pricing

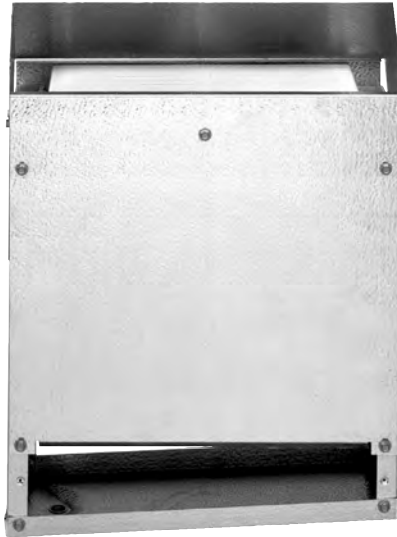
Chandler Standard Model	Voltage	List Price (\$US)
KMK13AG	115/1/60	1,153
KMK13BG	208-230/1/60	1,232
KMK17AG	115/1/60	1,394
KMK17BG	208-230/1/60	1,489
KMK23AG	115/1/60	1,668
KMK23BG	208-230/1/60	1,785

Nomenclature

KM	K	13	A	G
Model Series	Coil Option	Model Size	Electrical Code	Vintage
Kompact Mullion	K = Coated	# x 100 = BTUH	A = 115/1/60 B = 208-230/1/60	

Reverse Mullion

Overview



Product Description

Model RAMK is ideal for under-counter reach-in refrigerators, under-counter drawer type refrigerators and salad bars. The unit is suitable for mounting behind a mullion or on a wall. An up flow air pattern is used with air drawn in at the bottom and discharged out the top. This provides optimum temperature for drop in trays on salad bars or prep tables. It also keeps drawer stored product in premium condition.

An adjustable and detachable air deflector/splash protector is included. The deflector can be adjusted to direct the air up and out at a 45° angle. This feature provides excellent air distribution over drop in trays or containers. Food in the trays and containers stays colder, lasts longer, and retains the desired appearance. The deflector can be adjusted to distribute air out both sides when used as a mullion unit.

Certifications



Standard Features

- Textured aluminum cabinet
- PVC coated fan guard
- Stainless steel hardware
- Coils have full collar aluminum fins on expanded copper tubes
- Coated coil for enhanced protection in corrosive environments
- Refrigerant connection knockouts provided on both ends of unit
- Expansion valve can be mounted inside the cabinet
- Motors are thermally protected and permanently lubricated
- Internal junction box for electrical connection
- Adjustable air deflector included provides different air patterns. Air can be directed where it's needed
- Sweat inlet connection standard to reduce leaks
- All models are UL listed for the US and Canada
- UL classified to NSF standards

Options

- Flare connection available as a ship loose option

Models Pricing

Chandler Standard Model	Voltage	List Price (\$US)
RAMK13AG	115/1/60	1,153
RAMK13BG	208-230/1/60	1,232
RAMK17AG	115/1/60	1,394
RAMK17BG	208-230/1/60	1,489
RAMK23AG	115/1/60	1,668
RAMK23BG	208-230/1/60	1,785

Nomenclature

RAM	K	13	A	G
Model Series	Coil Option	Model Size	Electrical Code	Vintage
Reverse Air Flow Kompact Mullion	K = Coated	# x 100 = BTUH	A = 115/1/60 B = 208-230/1/60	

Twin Flow

Overview



Product Description

Model BTO is a compact two-way design with medium velocity airflow. The unit is mounted flush to the ceiling and draws air in through the fan and discharges out both sides. The air pattern reduces air loss when doors are opened and the medium velocity reduces product drying. Twin flow units are for temperatures of 35°F and higher. Box temperatures are kept more constant throughout and fresh products last longer. Seven sizes are available with BTUH from 900 to 5500 at 10° TD. Opting for EC motors makes this product qualified to be included in the **E Solutions™** product portfolio because of increased energy efficiency and cost savings.

Certifications



Standard Features

- Compact two-way design with medium velocity air flow
- Mounts flush to the ceiling and draws air in through the fan and discharges out both sides
- Air pattern reduces air loss when doors are opened and the medium velocity reduces product drying
- Textured aluminum cabinet
- Stainless steel fasteners
- Molded Polycarbonate fan guards
- Drain pan and fan panel is easily removed for installation and servicing
- Coils are constructed of copper tubing with aluminum fins
- Expansion valve can be mounted inside the cabinet
- Internal junction box is provided for electrical connection
- Motors are thermally protected and permanently lubricated
- Sweat inlet connection to reduce leaks
- All models are UL listed for the US and Canada
- UL classified to NSF standards

Options

- Flare connection available as a ship loose option
- Optional coated coil available (Model BTOK) for enhanced protection in corrosive environments
- EC motors available for some models

Model Pricing

Chandler Standard Model	Voltage	List Price (\$US)
BTO09AG	115/1/60	660
BTO09BG	208-230/1/60	706
BTO13AG	115/1/60	870
BTO13BG	208-230/1/60	930
BTO18AG	115/1/60	1,010
BTO18BG	208-230/1/60	1,080
BTO25AG	115/1/60	1,242
BTO25BG	208-230/1/60	1,323
BTO35AG	115/1/60	1,610
BTO35BG	208-230/1/60	1,720
BTO45AG	115/1/60	2,039
BTO45BG	208-230/1/60	2,183
BTO55AG	115/1/60	2,589
BTO55BG	208-230/1/60	2,772
BTOK09AG	115/1/60	781
BTOK09BG	208-230/1/60	839
BTOK13AG	115/1/60	937
BTOK13BG	208-230/1/60	1,002
BTOK18AG	115/1/60	1,187
BTOK18BG	208-230/1/60	1,271
BTOK25AG	115/1/60	1,463
BTOK25BG	208-230/1/60	1,561
BTOK35AG	115/1/60	1,897
BTOK35BG	208-230/1/60	2,030
BTOK45AG	115/1/60	2,375
BTOK45BG	208-230/1/60	2,540
BTOK55AG	115/1/60	2,950
BTOK55BG	208-230/1/60	3,158

Nomenclature

BTO	K	09	A	G
Model Series	Coil Option	Model Size	Electrical Code	Vintage
Twin Flow Unit Cooler	Blank = Standard K = Coated	# x 100 = BTUH	A = 115/1/60 B = 208-230/1/60	

Dual Air

Overview



Product Description

Model U unit cooler is used wherever a small, compact unit is required, such as salad boxes, back bars and direct draw boxes. It can be mounted on the ceiling or wall. The Model U unit draws air in through the front and discharges it out both sides to ensure proper distribution of cool air and thus maintain a uniform box temperature.

Certifications



Standard Features

- Textured aluminum cabinet
- Full collar aluminum fins on expanded copper tubes
- Detachable drain pan that is easy to clean
- Molded 3-prong motor connector to save installation time and expense
- Motors are thermally protected and permanently lubricated
- Optional coated coil available (Model UK) for enhanced protection in corrosive environments
- Sweat inlet connection to reduce leaks
- All models are UL recognized for the US and Canada
- UL classified to NSF standards

Options

- Flare connection available as a ship loose option

Model Pricing

Chandler Standard Model	Voltage	List Price (\$US)
U0090	115/1/60	651
U0091	208-230/1/60	858
U0120	115/1/60	741
U0121	208-230/1/60	928
U0150	115/1/60	830
U0151	208-230/1/60	1,028
UK0090	115/1/60	746
UK0091	208-230/1/60	975
UK0120	115/1/60	843
UK0121	208-230/1/60	1,074
UK0150	115/1/60	948
UK0151	208-230/1/60	1,163

Nomenclature

U	K	09	0
Model Series	Coil Option	Model Size	Electrical Code
Dual Aire Standard Coil	Blank = Standard K = Coated	# x 100 = BTUH	0 = 115/1/60 1 = 208-230/1/60

Shipped-Loose Accessories

Can't Find Something or need help selecting the appropriate accessory for your unit? Please contact your local Sales Representative or Account Engineer for assistance.

Part Number	Description	List Price (\$US)	Notes
Room Thermostats			
2891040	Room Thermostat	264	-
28963101	Electronic Room Thermostat	334	-
Defrost Controls			
4267W	Adjustable Defrost Control / Fan Delay Switch	247	-

Expansion Valves (TXV)

When placing order, please specify refrigerant type, saturated suction temperature (SST), liquid temperature, and room temperature.

Part Number	List Price (\$US)	Capacity Range (BTUH)
TXV024	307	24,000 BTUH and under

Liquid-line Solenoid Valves (LLSV)

Part Number	List Price (\$US)	Size	Capacity Range (R-404A)	
			Medium Temperature Application (BTUH)	Low Temperature Application (BTUH)
29318013	293	3/8	12,000 BTUH and under	11,000 BTUH and under

Section 1

Extended Thin Profile

Overview



Product Description

Extended Thin Profile LTA & LTL unit coolers are the most compact designed units for reach in display cases. The unit's low height design allows the unit to 'hide' at the top of the cooler, which gives the case a cleaner look and also allows for more room for shelves and product. These units have front access end panels for easy access to the refrigerant and electrical compartments, along with modular front access panels that make it easy to access the motors. Internally enhanced tube design produces better unit performance.

Better performance, easy installation, serviceability and high quality make this unit the perfect fit for your display case needs.

Certifications



Standard Features

- Low height makes it the most compact unit for display cases where space is limited, giving the case a clean look and allowing for more shelving and product storage
- Textured aluminum cabinet
- Easy access to motors and the refrigerant and electrical components with front access panels
- Modular front access panels can be removed independently of the drain pan
- Plastic vibration isolators for fan panels and drain pan reduce noise and vibration
- Liquid-line solenoid wire harness comes standard for quick installation
- Internally enhanced tube design produces better unit performance
- Heaters are attached to the coil for easier serviceability
- Defrost termination control
- Fan delay control
- Heater safety control

Nomenclature

LT	A	053	B	A
Model Series	Model Type	Model Size	Electrical Code	Vintage
Extended Thin Profile Unit Cooler	A = Air Defrost L = Electric Defrost	# x 100 = BTUH	A = 115/1/60 B = 208-230/1/60 S = Configurable	

Extended Thin Profile

Models & Options Pricing

When Do You Choose a Configurable Model?

- Choose when there is not a standard model listed or you want to add factory-installed options.
- When ordering a configurable model, remember to specify the voltage and fan motor type.

Section 1

Chandler Standard Model	Chandler Configurable Model	List Price (\$US)	Factory-Installed Options List Price Adders(\$US)						
			Electrical Options		Mechanical Options			Coil Options	
			Beacon II Assembly	Room TSTAT	TXV	TXV & LLSV	White Cabinet	Polyester Fin Protection	Copper Fin Coils
Air Defrost Models with EC Motors, 115/1/60									
LTA053AEA	LTA053SA	3,012	2,530	291	407	692	192	1,021	Call Factory
LTA079AEA	LTA079SA	3,364	2,530	291	407	692	192	1,021	Call Factory
LTA102AEA	LTA102SA	4,117	2,530	291	407	692	192	1,021	Call Factory
LTA134AEA	LTA134SA	4,779	2,530	291	407	692	192	1,021	Call Factory
LTA172AEA	LTA172SA	5,399	2,530	291	407	692	192	1,021	Call Factory
Air Defrost Models with EC Motors, 208-230/1/60									
LTA053BEA	LTA053SA	3,012	2,530	291	407	692	192	1,021	Call Factory
LTA079BEA	LTA079SA	3,364	2,530	291	407	692	192	1,021	Call Factory
LTA102BEA	LTA102SA	4,117	2,530	291	407	692	192	1,021	Call Factory
LTA134BEA	LTA134SA	4,779	2,530	291	407	692	192	1,021	Call Factory
LTA172BEA	LTA172SA	5,399	2,530	291	407	692	192	1,021	Call Factory
Electric Defrost Models with EC Motors, 208-230/1/60									
LTL133BEA	LTL133SA	5,841	2,530	291	407	692	192	-	Call Factory
LTL046BEA	LTL046SA	3,222	2,530	291	407	692	192	-	Call Factory
LTL068BEA	LTL068SA	3,618	2,530	291	407	692	192	-	Call Factory
LTL093BEA	LTL093SA	4,460	2,530	291	407	692	192	-	Call Factory
LTL115BEA	LTL115SA	5,154	2,530	291	407	692	192	-	Call Factory

Extended Thin Profile

Shipped-Loose Accessories

Can't Find Something or need help selecting the appropriate accessory for your unit? Please contact your local Sales Representative or Account Engineer for assistance.

Part Number	Description	List Price (\$US)	Notes
Room Thermostats			
2891040	Room Thermostat	264	-
28963101	Electronic Room Thermostat	334	-
Defrost Controls			
4267W	Adjustable Defrost Control / Fan Delay Switch	247	-

Expansion Valves (TXV)

When placing order, please specify refrigerant type, saturated suction temperature (SST), liquid temperature, and room temperature.

Part Number	List Price (\$US)	Capacity Range (BTUH)
TXV024	307	24,000 BTUH and under

Liquid-line Solenoid Valves (LLSV)

Part Number	List Price (\$US)	Size	Capacity Range (R-404A)	
			Medium Temperature Application (BTUH)	Low Temperature Application (BTUH)
29318013	293	3/8	12,000 BTUH and under	11,000 BTUH and under
4502Z	293	3/8	12,000 BTUH to 24,000 BTUH	11,000 BTUH to 21,000 BTUH

Slim Contour

Overview

Section 1



Product Description

The Slim Contour, an innovative unit cooler with space-saving design features offers enhanced servicability and maximum cooling performance. These units are ideal for applications in the food service industry, where maximizing storage capacity in a walk-in cooler is critical. Opting for the Beacon II™ Refrigeration System will further increase energy efficiency and cost savings.

Certifications



Standard Features

Ease of Installation & Service

- Modular fan cassettes for easy access to all components and service outside of cooler
- Fans can be removed during installation making mounting of the unit easier and safer
- Easily removed fan guard made from dishwasher safe polymer
- Easy access to drain pan for cleaning
- Coil accessible for cleaning without removing drain pan
- Mechanical and electrical components accessible through same panel

Reliable & Durable

- Sweat connections to reduce potential for leaks
- Molded fan guard design made of strong plastic material
- Heavy gauge grained aluminum cabinet cleans easily and looks attractive

Performance

- Energy efficient EC (Electronically Commutated) Motors are standard
- Hybrid design of high grade polymer with metal back
- Sweat connections to reduce potential for leaks
- Up to 40% reduction in refrigerant charge vs. traditional evaporators

Reduced Profile

- Lower unit height allows for improved storage, less than 11 inches
- Rear, horizontal drain line further increases storage capacity

Nomenclature

UL	A	041	A	E	A
Model Series	Defrost Type	Capacity	Electrical Code	Motor Code	Design Revision
UL = Slim Contour	A= Air Defrost	# x 100 = BTUH	A= 115v/1/60Hz B= 208-230v/1/60Hz	E= EC Motor	

Slim Contour

Air Defrost Models & Options

When Do You Choose a Configurable Model?

- Choose when there is not a standard model listed or you want to add factory-installed options.
- When ordering a configurable model, remember to specify the voltage.

Chandler Standard Model	Chandler Configurable Model	List Price (\$US)	Factory-Installed Options List Price							
			Electrical Options		Mechanical Options		Coil Options			
			Beacon II Assembly	Room TSTAT	TXV	TXV & LLSV	Coated Coil (Black)	ElectroFin Coil	Polyester Fin Protection	Bronz-Glow
Air Defrost Models with EC Motors - 115/1/60										
ULA041AEA	ULA041SA	2,250	1,399	291	407	692	Call Factory	Call Factory	Call Factory	Call Factory
ULA050AEA	ULA050SA	2,375	1,399	291	407	692	Call Factory	Call Factory	Call Factory	Call Factory
ULA072AEA	ULA072SA	3,500	1,399	291	407	692	Call Factory	Call Factory	Call Factory	Call Factory
ULA100AEA	ULA100SA	3,950	1,399	291	407	692	Call Factory	Call Factory	Call Factory	Call Factory
ULA132AEA	ULA132SA	4,650	1,399	291	407	692	Call Factory	Call Factory	Call Factory	Call Factory
ULA153AEA	ULA153SA	5,625	1,399	291	407	692	Call Factory	Call Factory	Call Factory	Call Factory
Air Defrost Models with EC Motors - 208-230/1/60										
ULA041BEA	ULA041SA	2,250	1,399	291	407	692	Call Factory	Call Factory	Call Factory	Call Factory
ULA050BEA	ULA050SA	2,375	1,399	291	407	692	Call Factory	Call Factory	Call Factory	Call Factory
ULA072BEA	ULA072SA	3,500	1,399	291	407	692	Call Factory	Call Factory	Call Factory	Call Factory
ULA100BEA	ULA100SA	3,950	1,399	291	407	692	Call Factory	Call Factory	Call Factory	Call Factory
ULA132BEA	ULA132SA	4,650	1,399	291	407	692	Call Factory	Call Factory	Call Factory	Call Factory
ULA153BEA	ULA153SA	5,625	1,399	291	407	692	Call Factory	Call Factory	Call Factory	Call Factory

Federal Regulation Requires EC Motors!

Energy Independence and Security Act of 2007 (H.R. 6)

Walk-Ins manufactured on or after 01/01/2009 and under 3,000 square feet in area with single phase evaporator fan motors less than 1 HP and less than 460V must be EC motors

Notes:

- Beacon II must be ordered as a system.
- TXV = Expansion Valve; LLSV = Liquid Line Solenoid Valve.

Slim Contour

Shipped-Loose Accessories

A wide range of shipped-loose accessories are available to order. Can't Find Something or need help selecting the appropriate accessory for your unit? Please contact your local Sales Representative or Account Engineer for assistance.

Part Number	Description	List Price (\$US)	Notes
Room Thermostats			
2891040	Room Thermostat	264	-
28963101	Electronic Room Thermostat	334	-

Expansion Valves (TXV)

When placing order, please specify refrigerant type, saturated suction temperature (SST), liquid temperature, and room temperature.

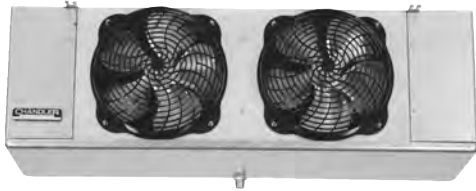
Part Number	List Price (\$US)	Capacity Range (BTUH)
TXV024	307	24,000 BTUH and under

Liquid-line Solenoid Valves (LLSV)

Part Number	List Price (\$US)	Size	Capacity Range (R-404A)	
			Medium Temperature Application (BTUH)	Low Temperature Application (BTUH)
29318013	293	3/8	12,000 BTUH and under	11,000 BTUH and under
4502Z	293	3/8	12,000 BTUH to 24,000 BTUH	11,000 BTUH to 21,000 BTUH

Low Profile

Overview



Product Description

The low profile unit cooler, available in air, electric, and hot gas defrost, is designed for maximum capacity while occupying a minimum amount of space inside a walk-in cooler or freezer. These units are ideal for many applications including restaurants and convenience stores. Opting for EC motors or the Beacon II™ Refrigeration System makes this product qualified to be included in the **E Solutions™** product portfolio because of increased energy efficiency and cost savings.

Certifications



Standard Features

Ease of Installation & Service

- Cabinet design features front access panels on each side for easy access to electrical and refrigeration components
- All electrical components factory wired to terminal board and identified, making it easy to field wire the unit
- Liquid line solenoid wire harness is factory-installed for quick installation
- Pre-drilled holes on the back of the unit for room thermostat
- Coil heater slots have been enlarged for easier installation and replacement
- On 4-6 fan models, drain pan has a lanyard for easy and safe access
- Motors plug into wiring harness for easier servicing
- Hot gas loop on bottom of coil for easier access is standard for hot gas defrost models

Reliable & Durable

- Sweat connections to reduce potential for leaks
- Molded fan guard design made of strong plastic material
- Heavy gauge grained aluminum cabinet cleans easily and looks attractive

Performance

- Internal panels are isolated for quiet operation
- Internally enhanced tubing and fin design for higher efficiency
- Reduced heater wattages
- Fixed defrost termination for electric, adjustable defrost termination for hot gas
- Extended drain pan heaters for more uniform defrost throughout the drain pan and additional heat in end compartments

Versatile

- Large diameter drain hole (3/4" ID) is located on the back of the unit
- Minimal height of the low profile series makes it ideal for low ceiling coolers

Nomenclature

RLC	120	A	K
Model Series	Capacity	Electrical Code	Vintage
RLC = Air defrost ELC = Electric defrost, 6 FPI EFC = Electric defrost, 4 FPI GLC = Hot gas defrost	# x 100 = BTUH	A = 115/1/60 B = 208-230/1/60 C = 208-230/3/60 M = 460/1/60 AH = 115/1/60 (PSC) BH = 208-230/1/60 (PSC) AE = 115/1/60 (EC) BE = 208-230/1/60 (EC) CE = 208-230/3/60 (EC) S = Configurable	

Low Profile

Air Defrost Models & Options

When Do You Choose a Configurable Model?

- Choose when there is not a standard model listed or you want to add factory-installed options.
- When ordering a configurable model, remember to specify the voltage and fan motor type.

Chandler Standard Model	Chandler Configurable Model	List Price (\$US)	Factory-Installed Options List Price Adders (\$US)								
			Electrical Options		Mechanical Options			Coil Options			
			Beacon II Assembly	Room TSTAT	TXV	TXV & LLSV	QCF, TXV, & LLSV	Coated Coil (Black)	ElectroFin Coil	Polyester Fin Protection	Bronz-Glow
Air Defrost Models with EC Motors - 115/1/60											
RLC040AEK	RLC040SK	1,784	1,399	291	407	692	1,278	438	Call Factory	1,000	Call Factory
RLC052AEK	RLC052SK	1,877	1,399	291	407	692	1,278	438	Call Factory	1,000	Call Factory
RLC065AEK	RLC065SK	2,107	1,399	291	407	692	1,278	438	Call Factory	1,000	Call Factory
RLC070AEK	RLC070SK	2,824	1,399	291	407	692	1,278	650	Call Factory	1,021	Call Factory
RLC090AEK	RLC090SK	3,143	1,399	291	407	692	1,278	650	Call Factory	1,021	Call Factory
RLC104AEK	RLC104SK	3,306	1,399	291	407	692	1,278	650	Call Factory	1,021	Call Factory
RLC120AEK	RLC120SK	3,488	1,399	291	407	692	1,278	650	Call Factory	1,021	Call Factory
RLC130AEK	RLC130SK	3,681	1,399	291	407	692	1,278	650	Call Factory	1,021	Call Factory
RLC140AEK	RLC140SK	4,461	1,399	291	407	692	1,278	950	Call Factory	1,041	Call Factory
RLC156AEK	RLC156SK	4,784	1,399	291	407	692	1,278	950	Call Factory	1,041	Call Factory
RLC180AEK	RLC180SK	5,282	1,399	291	407	692	1,278	950	Call Factory	1,041	Call Factory
RLC208AEK	RLC208SK	6,243	1,399	291	407	692	1,278	Call Factory	Call Factory	1,063	Call Factory
RLC260AEK	RLC260SK	7,774	1,399	291	407	692	1,278	Call Factory	Call Factory	1,088	Call Factory
RLC312AEK	RLC312SK	8,999	1,399	291	768	1,096	1,684	Call Factory	Call Factory	1,110	Call Factory
RLC370AEK	RLC370SK	9,988	1,399	291	768	1,096	1,684	Call Factory	Call Factory	1,110	Call Factory
Air Defrost Models with EC Motors - 208-230/1/60											
RLC040BEK	RLC040SK	1,884	1,399	291	407	692	1,278	438	Call Factory	1,000	Call Factory
RLC052BEK	RLC052SK	1,898	1,399	291	407	692	1,278	438	Call Factory	1,000	Call Factory
RLC065BEK	RLC065SK	2,227	1,399	291	407	692	1,278	438	Call Factory	1,000	Call Factory
RLC070BEK	RLC070SK	2,964	1,399	291	407	692	1,278	650	Call Factory	1,021	Call Factory
RLC090BEK	RLC090SK	3,176	1,399	291	407	692	1,278	650	Call Factory	1,021	Call Factory
RLC104BEK	RLC104SK	3,342	1,399	291	407	692	1,278	650	Call Factory	1,021	Call Factory
RLC120BEK	RLC120SK	3,522	1,399	291	407	692	1,278	650	Call Factory	1,021	Call Factory
RLC130BEK	RLC130SK	3,718	1,399	291	407	692	1,278	650	Call Factory	1,021	Call Factory
RLC140BEK	RLC140SK	4,501	1,399	291	407	692	1,278	950	Call Factory	1,041	Call Factory
RLC156BEK	RLC156SK	4,836	1,399	291	407	692	1,278	950	Call Factory	1,041	Call Factory
RLC180BEK	RLC180SK	5,332	1,399	291	407	692	1,278	950	Call Factory	1,041	Call Factory
RLC208BEK	RLC208SK	6,571	1,399	291	407	692	1,278	Call Factory	Call Factory	1,063	Call Factory
RLC260BEK	RLC260SK	8,183	1,399	291	407	692	1,278	Call Factory	Call Factory	1,088	Call Factory
RLC312BEK	RLC312SK	9,463	1,399	291	768	1,096	1,684	Call Factory	Call Factory	1,110	Call Factory
RLC370BEK	RLC370SK	10,416	1,399	291	768	1,096	1,684	Call Factory	Call Factory	1,110	Call Factory

Federal Regulation Requires EC Motors!

Energy Independence and Security Act of 2007 (H.R. 6)

Walk-Ins manufactured on or after 01/01/2009 and under 3,000 square feet in area with single phase evaporator fan motors less than 1 HP and less than 460V must be EC motors

Notes:

- Beacon II must be ordered as a system. Not available on 460/1/60 and 230/3/60.
- TXV = Expansion Valve; LLSV = Liquid Line Solenoid Valve; QCF = Quick Connect Fittings.
- PSC-TE Fan Motors, Stainless Steel Cabinet & Pan, and Copper Fin Coils are available. Contact your Sales Representative or Account Engineer for more information.

Low Profile

Air Defrost Models & Options

When Do You Choose a Configurable Model?

- Choose when there is not a standard model listed or you want to add factory-installed options.
- When ordering a configurable model, remember to specify the voltage and fan motor type.

Chandler Standard Model	Chandler Configurable Model	List Price (\$US)	Factory-Installed Options List Price Adders (\$US)								
			Electrical Options		Mechanical Options			Coil Options			
			Beacon II Assembly	Room TSTAT	TXV	TXV & LLSV	QCF, TXV, & LLSV	Coated Coil (Black)	ElectroFin Coil	Polyester Fin Protection	Bronz-Glow
Air Defrost Models with PSC Motors - 115/1/60											
RLC040AK	RLC040SK	1,255	1,399	291	407	692	1,278	438	Call Factory	1,000	Call Factory
RLC052AK	RLC052SK	1,348	1,399	291	407	692	1,278	438	Call Factory	1,000	Call Factory
RLC065AK	RLC065SK	1,578	1,399	291	407	692	1,278	438	Call Factory	1,000	Call Factory
RLC070AK	RLC070SK	1,766	1,399	291	407	692	1,278	650	Call Factory	1,021	Call Factory
RLC090AK	RLC090SK	2,085	1,399	291	407	692	1,278	650	Call Factory	1,021	Call Factory
RLC104AK	RLC104SK	2,248	1,399	291	407	692	1,278	650	Call Factory	1,021	Call Factory
RLC120AK	RLC120SK	2,430	1,399	291	407	692	1,278	650	Call Factory	1,021	Call Factory
RLC130AK	RLC130SK	2,623	1,399	291	407	692	1,278	650	Call Factory	1,021	Call Factory
RLC140AK	RLC140SK	2,874	1,399	291	407	692	1,278	950	Call Factory	1,041	Call Factory
RLC156AK	RLC156SK	3,197	1,399	291	407	692	1,278	950	Call Factory	1,041	Call Factory
RLC180AK	RLC180SK	3,695	1,399	291	407	692	1,278	950	Call Factory	1,041	Call Factory
RLC208AK	RLC208SK	4,127	1,399	291	407	692	1,278	Call Factory	Call Factory	1,063	Call Factory
RLC260AK	RLC260SK	5,129	1,399	291	407	692	1,278	Call Factory	Call Factory	1,088	Call Factory
RLC312AK	RLC312SK	5,825	1,399	291	768	1,096	1,684	Call Factory	Call Factory	1,110	Call Factory
RLC370AK	RLC370SK	6,814	1,399	291	768	1,096	1,684	Call Factory	Call Factory	1,110	Call Factory
Air Defrost Models with PSC Motors - 208-230/1/60											
RLC040BK	RLC040SK	1,355	1,399	291	407	692	1,278	438	Call Factory	1,000	Call Factory
RLC052BK	RLC052SK	1,369	1,399	291	407	692	1,278	438	Call Factory	1,000	Call Factory
RLC065BK	RLC065SK	1,698	1,399	291	407	692	1,278	438	Call Factory	1,000	Call Factory
RLC070BK	RLC070SK	1,906	1,399	291	407	692	1,278	650	Call Factory	1,021	Call Factory
RLC090BK	RLC090SK	2,118	1,399	291	407	692	1,278	650	Call Factory	1,021	Call Factory
RLC104BK	RLC104SK	2,284	1,399	291	407	692	1,278	650	Call Factory	1,021	Call Factory
RLC120BK	RLC120SK	2,464	1,399	291	407	692	1,278	650	Call Factory	1,021	Call Factory
RLC130BK	RLC130SK	2,660	1,399	291	407	692	1,278	650	Call Factory	1,021	Call Factory
RLC140BK	RLC140SK	2,914	1,399	291	407	692	1,278	950	Call Factory	1,041	Call Factory
RLC156BK	RLC156SK	3,249	1,399	291	407	692	1,278	950	Call Factory	1,041	Call Factory
RLC180BK	RLC180SK	3,745	1,399	291	407	692	1,278	950	Call Factory	1,041	Call Factory
RLC208BK	RLC208SK	4,455	1,399	291	407	692	1,278	Call Factory	Call Factory	1,063	Call Factory
RLC260BK	RLC260SK	5,538	1,399	291	407	692	1,278	Call Factory	Call Factory	1,088	Call Factory
RLC312BK	RLC312SK	6,289	1,399	291	768	1,096	1,684	Call Factory	Call Factory	1,110	Call Factory
RLC370BK	RLC370SK	7,242	1,399	291	768	1,096	1,684	Call Factory	Call Factory	1,110	Call Factory

Federal Regulation Requires EC Motors!

Energy Independence and Security Act of 2007 (H.R. 6)

Walk-Ins manufactured on or after 01/01/2009 and under 3,000 square feet in area with single phase evaporator fan motors less than 1 HP and less than 460V must be EC motors

Notes:

- Beacon II must be ordered as a system. Not available on 460/1/60 and 230/3/60.
- TXV = Expansion Valve; LLSV = Liquid Line Solenoid Valve; QCF = Quick Connect Fittings.
- PSC-TE Fan Motors, Stainless Steel Cabinet & Pan, and Copper Fin Coils are available. Contact your Sales Representative or Account Engineer for more information.

Low Profile

Air Defrost Models & Options

When Do You Choose a Configurable Model?

- Choose when there is not a standard model listed or you want to add factory-installed options.
- When ordering a configurable model, remember to specify the voltage and fan motor type.

Chandler Standard Model	Chandler Configurable Model	List Price (\$US)	Factory-Installed Options List Price Adders (\$US)								
			Electrical Options		Mechanical Options			Coil Options			
			Beacon II Assembly	Room TSTAT	TXV	TXV & LLSV	QCF, TXV, & LLSV	Coated Coil (Black)	ElectroFin Coil	Polyester Fin Protection	Bronz-Glow
Air Defrost Models with PSC Motors - 460/1/60											
-	RLC040SK	1,519	-	291	407	692	1,278	438	Call Factory	1,000	Call Factory
-	RLC052SK	1,533	-	291	407	692	1,278	438	Call Factory	1,000	Call Factory
-	RLC065SK	1,862	-	291	407	692	1,278	438	Call Factory	1,000	Call Factory
-	RLC070SK	2,235	-	291	407	692	1,278	650	Call Factory	1,021	Call Factory
-	RLC090SK	2,448	-	291	407	692	1,278	650	Call Factory	1,021	Call Factory
-	RLC104SK	2,612	-	291	407	692	1,278	650	Call Factory	1,021	Call Factory
-	RLC120SK	2,790	-	291	407	692	1,278	650	Call Factory	1,021	Call Factory
-	RLC130SK	2,990	-	291	407	692	1,278	650	Call Factory	1,021	Call Factory
-	RLC140SK	3,406	-	291	407	692	1,278	950	Call Factory	1,041	Call Factory
-	RLC156SK	3,741	-	291	407	692	1,278	950	Call Factory	1,041	Call Factory
-	RLC180SK	4,237	-	291	407	692	1,278	950	Call Factory	1,041	Call Factory
-	RLC208SK	5,112	-	291	407	692	1,278	Call Factory	Call Factory	1,063	Call Factory
-	RLC260SK	6,358	-	291	407	692	1,278	Call Factory	Call Factory	1,088	Call Factory
-	RLC312SK	7,274	-	291	768	1,096	1,684	Call Factory	Call Factory	1,110	Call Factory
-	RLC370SK	8,229	-	291	768	1,096	1,684	Call Factory	Call Factory	1,110	Call Factory

Federal Regulation Requires EC Motors!

Energy Independence and Security Act of 2007 (H.R. 6)

Walk-Ins manufactured on or after 01/01/2009 and under 3,000 square feet in area with single phase evaporator fan motors less than 1 HP and less than 460V must be EC motors

Notes:

- Beacon II must be ordered as a system. Not available on 460/1/60 and 230/3/60.
- TXV = Expansion Valve; LLSV = Liquid Line Solenoid Valve; QCF = Quick Connect Fittings.
- PSC-TE Fan Motors, Stainless Steel Cabinet & Pan, and Copper Fin Coils are available. Contact your Sales Representative or Account Engineer for more information.

Low Profile

Electric Defrost Models & Options

When Do You Choose a Configurable Model?

- Choose when there is not a standard model listed or you want to add factory-installed options.
- When ordering a configurable model, remember to specify the voltage and fan motor type.

Chandler Standard Model	Chandler Configurable Model	FPI	List Price (\$US)	Factory-Installed Options List Price Adders (\$US)						
				Electrical Options			Mechanical Options			Coil Options
				Beacon II Assembly	Adj. Defrost Term. / Fan Delay	Room TSTAT	TXV	TXV & LLSV	QCF, TXV, & LLSV	Bronz-Glow
Electric Defrost Models with EC Motors - 208-230/1/60										
ELC035BEK	ELC035SK	6	2,483	1,399	485	291	407	692	1,278	Call Factory
ELC040BEK	ELC040SK	6	2,595	1,399	485	291	407	692	1,278	Call Factory
ELC047BEK	ELC047SK	6	2,855	1,399	485	291	407	692	1,278	Call Factory
ELC065BEK	ELC065SK	6	3,834	1,399	485	291	407	692	1,278	Call Factory
ELC075BEK	ELC075SK	6	3,972	1,399	485	291	407	692	1,278	Call Factory
ELC090BEK	ELC090SK	6	4,191	1,399	485	291	407	692	1,278	Call Factory
ELC120BEK	ELC120SK	6	5,504	1,399	485	291	407	692	1,278	Call Factory
ELC140BEK	ELC140SK	6	6,164	1,399	485	291	407	692	1,278	Call Factory
ELC160BEK	ELC160SK	6	7,335	1,399	485	291	407	692	1,278	Call Factory
ELC180BEK	ELC180SK	6	8,023	1,399	485	291	407	692	1,278	Call Factory
ELC200BEK	ELC200SK	6	9,296	1,399	485	291	407	692	1,278	Call Factory
ELC240BEK	ELC240SK	6	10,675	1,399	485	291	768	1,096	1,684	Call Factory
ELC280BEK	ELC280SK	6	11,829	1,399	485	291	768	1,096	1,684	Call Factory
EFC041BEK	EFC041SK	4	2,406	1,399	485	291	407	692	1,278	Call Factory
EFC068BEK	EFC068SK	4	4,115	1,399	485	291	407	692	1,278	Call Factory
EFC080BEK	EFC080SK	4	4,386	1,399	485	291	407	692	1,278	Call Factory
EFC102BEK	EFC102SK	4	5,462	1,399	485	291	407	692	1,278	Call Factory
EFC136BEK	EFC136SK	4	7,230	1,399	485	291	407	692	1,278	Call Factory
EFC170BEK	EFC170SK	4	9,125	1,399	485	291	407	692	1,278	Call Factory
EFC204BEK	EFC204SK	4	10,488	1,399	485	291	768	1,096	1,684	Call Factory
EFC235BEK	EFC235SK	4	11,648	1,399	485	291	768	1,096	1,684	Call Factory
Electric Defrost Models with EC Motors - 208-230/3/60										
ELC035CEK	ELC035SK	6	2,590	-	485	291	407	692	1,278	Call Factory
ELC040CEK	ELC040SK	6	2,665	-	485	291	407	692	1,278	Call Factory
ELC047CEK	ELC047SK	6	3,007	-	485	291	407	692	1,278	Call Factory
ELC065CEK	ELC065SK	6	4,092	-	485	291	407	692	1,278	Call Factory
ELC075CEK	ELC075SK	6	4,178	-	485	291	407	692	1,278	Call Factory
ELC090CEK	ELC090SK	6	4,450	-	485	291	407	692	1,278	Call Factory
ELC120CEK	ELC120SK	6	5,762	-	485	291	407	692	1,278	Call Factory
ELC140CEK	ELC140SK	6	6,441	-	485	291	407	692	1,278	Call Factory
ELC160CEK	ELC160SK	6	7,591	-	485	291	407	692	1,278	Call Factory
ELC180CEK	ELC180SK	6	8,360	-	485	291	407	692	1,278	Call Factory

Federal Regulation Requires EC Motors!

Energy Independence and Security Act of 2007 (H.R. 6)

Walk-Ins manufactured on or after 01/01/2009 and under 3,000 square feet in area with single phase evaporator fan motors less than 1 HP and less than 460V must be EC motors.

Notes:

- Electric Drain Pan is standard.
- Beacon II must be ordered as a system. Not available on 460/1/60 and 230/3/60.
- TXV = Expansion Valve; LLSV = Liquid Line Solenoid Valve; QCF = Quick Connect Fittings.
- PSC-TE Fan Motors, Stainless Steel Cabinet & Pan and Copper Fin Coils are available. Contact your Sales Representative or Account Engineer for more information.

Low Profile

Electric Defrost Models & Options

When Do You Choose a Configurable Model?

- Choose when there is not a standard model listed or you want to add factory-installed options.
- When ordering a configurable model, remember to specify the voltage and fan motor type.

Chandler Standard Model	Chandler Configurable Model	FPI	List Price (\$US)	Factory-Installed Options List Price Adders (\$US)						
				Electrical Options			Mechanical Options			Coil Options
				Beacon II Assembly	Adj. Defrost Term. / Fan Delay	Room TSTAT	TXV	TXV & LLSV	QCF, TXV, & LLSV	Bronz-Glow
ELC200CEK	ELC200SK	6	9,555	-	485	291	407	692	1,278	Call Factory
ELC240CEK	ELC240SK	6	10,935	-	485	291	768	1,096	1,684	Call Factory
ELC280CEK	ELC280SK	6	12,224	-	485	291	768	1,096	1,684	Call Factory
EFC041CEK	EFC041SK	4	2,519	-	485	291	407	692	1,278	Call Factory
EFC068CEK	EFC068SK	4	4,265	-	485	291	407	692	1,278	Call Factory
EFC080CEK	EFC080SK	4	4,497	-	485	291	407	692	1,278	Call Factory
EFC102CEK	EFC102SK	4	5,719	-	485	291	407	692	1,278	Call Factory
EFC136CEK	EFC136SK	4	7,494	-	485	291	407	692	1,278	Call Factory
EFC170CEK	EFC170SK	4	9,383	-	485	291	407	692	1,278	Call Factory
EFC204CEK	EFC204SK	4	10,761	-	485	291	768	1,096	1,684	Call Factory
EFC235CEK	EFC235SK	4	11,975	-	485	291	768	1,096	1,684	Call Factory

Electric Defrost Models with PSC Motors - 208-230/1/60

ELC035BK	ELC035SK	6	1,954	1,399	485	291	407	692	1,278	Call Factory
ELC040BK	ELC040SK	6	2,066	1,399	485	291	407	692	1,278	Call Factory
ELC047BK	ELC047SK	6	2,326	1,399	485	291	407	692	1,278	Call Factory
ELC065BK	ELC065SK	6	2,776	1,399	485	291	407	692	1,278	Call Factory
ELC075BK	ELC075SK	6	2,914	1,399	485	291	407	692	1,278	Call Factory
ELC090BK	ELC090SK	6	3,133	1,399	485	291	407	692	1,278	Call Factory
ELC120BK	ELC120SK	6	3,917	1,399	485	291	407	692	1,278	Call Factory
ELC140BK	ELC140SK	6	4,577	1,399	485	291	407	692	1,278	Call Factory
ELC160BK	ELC160SK	6	5,219	1,399	485	291	407	692	1,278	Call Factory
ELC180BK	ELC180SK	6	5,907	1,399	485	291	407	692	1,278	Call Factory
ELC200BK	ELC200SK	6	6,651	1,399	485	291	407	692	1,278	Call Factory
ELC240BK	ELC240SK	6	7,501	1,399	485	291	768	1,096	1,684	Call Factory
ELC280BK	ELC280SK	6	8,655	1,399	485	291	768	1,096	1,684	Call Factory
EFC041BK	EFC041SK	4	1,877	1,399	485	291	407	692	1,278	Call Factory
EFC068BK	EFC068SK	4	3,057	1,399	485	291	407	692	1,278	Call Factory
EFC080BK	EFC080SK	4	3,328	1,399	485	291	407	692	1,278	Call Factory
EFC102BK	EFC102SK	4	3,875	1,399	485	291	407	692	1,278	Call Factory
EFC136BK	EFC136SK	4	5,114	1,399	485	291	407	692	1,278	Call Factory
EFC170BK	EFC170SK	4	6,480	1,399	485	291	407	692	1,278	Call Factory
EFC204BK	EFC204SK	4	7,314	1,399	485	291	768	1,096	1,684	Call Factory
EFC235BK	EFC235SK	4	8,474	1,399	485	291	768	1,096	1,684	Call Factory

Federal Regulation Requires EC Motors!

Energy Independence and Security Act of 2007 (H.R. 6)

Walk-Ins manufactured on or after 01/01/2009 and under 3,000 square feet in area with single phase evaporator fan motors less than 1 HP and less than 460V must be EC motors.

Notes:

- Electric Drain Pan is standard.
- Beacon II must be ordered as a system. Not available on 460/1/60 and 230/3/60.
- TXV = Expansion Valve; LLSV = Liquid Line Solenoid Valve; QCF = Quick Connect Fittings.
- PSC-TE Fan Motors, Stainless Steel Cabinet & Pan and Copper Fin Coils are available. Contact your Sales Representative or Account Engineer for more information.

Low Profile

Electric Defrost Models & Options

When Do You Choose a Configurable Model?

- Choose when there is not a standard model listed or you want to add factory-installed options.
- When ordering a configurable model, remember to specify the voltage and fan motor type.

Chandler Standard Model	Chandler Configurable Model	FPI	List Price (\$US)	Factory-Installed Options List Price Adders (\$US)						
				Electrical Options			Mechanical Options			Coil Options
				Beacon II Assembly	Adj. Defrost Term. / Fan Delay	Room TSTAT	TXV	TXV & LLSV	QCF, TXV, & LLSV	Bronz-Glow
Electric Defrost Models with PSC Motors - 208-230/3/60										
ELC035CK	ELC035SK	6	2,061	-	485	291	407	692	1,278	Call Factory
ELC040CK	ELC040SK	6	2,136	-	485	291	407	692	1,278	Call Factory
ELC047CK	ELC047SK	6	2,478	-	485	291	407	692	1,278	Call Factory
ELC065CK	ELC065SK	6	3,034	-	485	291	407	692	1,278	Call Factory
ELC075CK	ELC075SK	6	3,120	-	485	291	407	692	1,278	Call Factory
ELC090CK	ELC090SK	6	3,392	-	485	291	407	692	1,278	Call Factory
ELC120CK	ELC120SK	6	4,175	-	485	291	407	692	1,278	Call Factory
ELC140CK	ELC140SK	6	4,854	-	485	291	407	692	1,278	Call Factory
ELC160CK	ELC160SK	6	5,475	-	485	291	407	692	1,278	Call Factory
ELC180CK	ELC180SK	6	6,244	-	485	291	407	692	1,278	Call Factory
ELC200CK	ELC200SK	6	6,910	-	485	291	407	692	1,278	Call Factory
ELC240CK	ELC240SK	6	7,761	-	485	291	768	1,096	1,684	Call Factory
ELC280CK	ELC280SK	6	9,050	-	485	291	768	1,096	1,684	Call Factory
EFC041CK	EFC041SK	4	1,990	-	485	291	407	692	1,278	Call Factory
EFC068CK	EFC068SK	4	3,207	-	485	291	407	692	1,278	Call Factory
EFC080CK	EFC080SK	4	3,439	-	485	291	407	692	1,278	Call Factory
EFC102CK	EFC102SK	4	4,132	-	485	291	407	692	1,278	Call Factory
EFC136CK	EFC136SK	4	5,378	-	485	291	407	692	1,278	Call Factory
EFC170CK	EFC170SK	4	6,738	-	485	291	407	692	1,278	Call Factory
EFC204CK	EFC204SK	4	7,587	-	485	291	768	1,096	1,684	Call Factory
EFC235CK	EFC235SK	4	8,801	-	485	291	768	1,096	1,684	Call Factory
Electric Defrost Models with PSC Motors - 460/1/60										
ELC035MK	ELC035SK	6	2,224	-	485	291	407	692	1,278	Call Factory
ELC040MK	ELC040SK	6	2,300	-	485	291	407	692	1,278	Call Factory
ELC047MK	ELC047SK	6	2,642	-	485	291	407	692	1,278	Call Factory
ELC065MK	ELC065SK	6	3,361	-	485	291	407	692	1,278	Call Factory
ELC075MK	ELC075SK	6	3,449	-	485	291	407	692	1,278	Call Factory
ELC090MK	ELC090SK	6	3,721	-	485	291	407	692	1,278	Call Factory
ELC120MK	ELC120SK	6	4,667	-	485	291	407	692	1,278	Call Factory
ELC140MK	ELC140SK	6	5,349	-	485	291	407	692	1,278	Call Factory
ELC160MK	ELC160SK	6	6,135	-	485	291	407	692	1,278	Call Factory
ELC180MK	ELC180SK	6	6,899	-	485	291	407	692	1,278	Call Factory

Federal Regulation Requires EC Motors!

Energy Independence and Security Act of 2007 (H.R. 6)

Walk-Ins manufactured on or after 01/01/2009 and under 3,000 square feet in area with single phase evaporator fan motors less than 1 HP and less than 460V must be EC motors.

Notes:

- Electric Drain Pan is standard.
- Beacon II must be ordered as a system. Not available on 460/1/60 and 230/3/60.
- TXV = Expansion Valve; LLSV = Liquid Line Solenoid Valve; QCF = Quick Connect Fittings.
- PSC-TE Fan Motors, Stainless Steel Cabinet & Pan and Copper Fin Coils are available. Contact your Sales Representative or Account Engineer for more information.

Low Profile

Electric Defrost Models & Options

When Do You Choose a Configurable Model?

- Choose when there is not a standard model listed or you want to add factory-installed options.
- When ordering a configurable model, remember to specify the voltage and fan motor type.

Chandler Standard Model	Chandler Configurable Model	FPI	List Price (\$US)	Factory-Installed Options List Price Adders (\$US)						
				Electrical Options			Mechanical Options			Coil Options
				Beacon II Assembly	Adj. Defrost Term. / Fan Delay	Room TSTAT	TXV	TXV & LLSV	QCF, TXV, & LLSV	Bronz-Glow
ELC200MK	ELC200SK	6	7,730	-	485	291	407	692	1,278	Call Factory
ELC240MK	ELC240SK	6	8,747	-	485	291	768	1,096	1,684	Call Factory
ELC280MK	ELC280SK	6	10,033	-	485	291	768	1,096	1,684	Call Factory
EFC041MK	EFC041SK	4	2,153	-	485	291	407	692	1,278	Call Factory
EFC068MK	EFC068SK	4	3,371	-	485	291	407	692	1,278	Call Factory
EFC080MK	EFC080SK	4	3,604	-	485	291	407	692	1,278	Call Factory
EFC102MK	EFC102SK	4	4,627	-	485	291	407	692	1,278	Call Factory
EFC136MK	EFC136SK	4	6,033	-	485	291	407	692	1,278	Call Factory
EFC170MK	EFC170SK	4	7,561	-	485	291	407	692	1,278	Call Factory
EFC204MK	EFC204SK	4	8,574	-	485	291	768	1,096	1,684	Call Factory
EFC235MK	EFC235SK	4	9,787	-	485	291	768	1,096	1,684	Call Factory

Federal Regulation Requires EC Motors!

Energy Independence and Security Act of 2007 (H.R. 6)

Walk-Ins manufactured on or after 01/01/2009 and under 3,000 square feet in area with single phase evaporator fan motors less than 1 HP and less than 460V must be EC motors.

Notes:

- Electric Drain Pan is standard.
- Beacon II must be ordered as a system. Not available on 460/1/60 and 230/3/60.
- TXV = Expansion Valve; LLSV = Liquid Line Solenoid Valve; QCF = Quick Connect Fittings.
- PSC-TE Fan Motors, Stainless Steel Cabinet & Pan and Copper Fin Coils are available. Contact your Sales Representative or Account Engineer for more information.

Low Profile

Hot Gas Defrost Models & Options

When Do You Choose a Configurable Model?

- Choose when there is not a standard model listed or you want to add factory-installed options.
- When ordering a configurable model, remember to specify the voltage and fan motor type.

Chandler Standard Model	Chandler Configurable Model	FPI	List Price (\$US)	Factory-Installed Options List Price Adders (\$US)					
				Drain Pan Options			Mechanical Options	Coil Options	
				Electric	Hot Gas Loop	Insulated	TXV	ElectroFin Coil	Bronz-Glow
Hot Gas Defrost Models with EC Motors - 115/1/60									
GLC035AEK	GLC035SK	6	2,411	No Charge	Standard	126	407	Call Factory	Call Factory
GLC040AEK	GLC040SK	6	2,567	No Charge	Standard	126	407	Call Factory	Call Factory
GLC047AEK	GLC047SK	6	2,891	No Charge	Standard	126	407	Call Factory	Call Factory
GLC065AEK	GLC065SK	6	3,715	No Charge	Standard	173	407	Call Factory	Call Factory
GLC075AEK	GLC075SK	6	4,031	No Charge	Standard	173	407	Call Factory	Call Factory
GLC090AEK	GLC090SK	6	4,369	No Charge	Standard	173	407	Call Factory	Call Factory
GLC120AEK	GLC120SK	6	5,421	No Charge	Standard	214	407	Call Factory	Call Factory
GLC140AEK	GLC140SK	6	6,211	No Charge	Standard	214	407	Call Factory	Call Factory
GLC160AEK	GLC160SK	6	7,040	No Charge	Standard	263	407	Call Factory	Call Factory
GLC180AEK	GLC180SK	6	7,801	No Charge	Standard	263	407	Call Factory	Call Factory
GLC200AEK	GLC200SK	6	8,518	No Charge	Standard	289	407	Call Factory	Call Factory
GLC240AEK	GLC240SK	6	10,110	No Charge	Standard	329	768	Call Factory	Call Factory
GLC280AEK	GLC280SK	6	11,255	No Charge	Standard	329	768	Call Factory	Call Factory
GLC041AEK	GLC041SK	4	2,502	No Charge	Standard	126	407	Call Factory	Call Factory
GLC068AEK	GLC068SK	4	4,231	No Charge	Standard	173	407	Call Factory	Call Factory
GLC080AEK	GLC080SK	4	4,454	No Charge	Standard	173	407	Call Factory	Call Factory
GLC102AEK	GLC102SK	4	5,334	No Charge	Standard	214	407	Call Factory	Call Factory
GLC136AEK	GLC136SK	4	6,983	No Charge	Standard	263	407	Call Factory	Call Factory
GLC170AEK	GLC170SK	4	8,642	No Charge	Standard	289	407	Call Factory	Call Factory
GLC204AEK	GLC204SK	4	10,147	No Charge	Standard	329	768	Call Factory	Call Factory
GLC235AEK	GLC235SK	4	11,274	No Charge	Standard	329	768	Call Factory	Call Factory
Hot Gas Defrost Models with EC Motors - 208-230/1/60									
GLC035BEK	GLC035SK	6	2,462	No Charge	Standard	126	407	Call Factory	Call Factory
GLC040BEK	GLC040SK	6	2,625	No Charge	Standard	126	407	Call Factory	Call Factory
GLC047BEK	GLC047SK	6	2,956	No Charge	Standard	126	407	Call Factory	Call Factory
GLC065BEK	GLC065SK	6	3,928	No Charge	Standard	173	407	Call Factory	Call Factory
GLC075BEK	GLC075SK	6	4,244	No Charge	Standard	173	407	Call Factory	Call Factory
GLC090BEK	GLC090SK	6	4,634	No Charge	Standard	173	407	Call Factory	Call Factory
GLC120BEK	GLC120SK	6	5,728	No Charge	Standard	214	407	Call Factory	Call Factory
GLC140BEK	GLC140SK	6	6,413	No Charge	Standard	214	407	Call Factory	Call Factory
GLC160BEK	GLC160SK	6	7,438	No Charge	Standard	263	407	Call Factory	Call Factory
GLC180BEK	GLC180SK	6	8,321	No Charge	Standard	263	407	Call Factory	Call Factory

Federal Regulation Requires EC Motors! Energy Independence and Security Act of 2007 (H.R. 6)

Walk-Ins manufactured on or after 01/01/2009 and under 3,000 square feet in area with single phase evaporator fan motors less than 1 HP and less than 460V must be EC motors

Notes:

- Adjustable Defrost Term. / Fan Delay is standard.
- When using hot gas defrost units on 0°F degree applications and below, an insulated drain pan is required for models with hot gas drain pans.
- TXV = Expansion Valve
- PSC-TE Fan Motors, Stainless Steel Cabinet & Pan, and Copper Fin Coils are available. Contact your Sales Representative or Account Engineer for more information.

Low Profile

Hot Gas Defrost Models & Options

When Do You Choose a Configurable Model?

- Choose when there is not a standard model listed or you want to add factory-installed options.
- When ordering a configurable model, remember to specify the voltage and fan motor type.

Chandler Standard Model	Chandler Configurable Model	FPI	List Price (\$US)	Factory-Installed Options List Price Adders (\$US)					
				Drain Pan Options			Mechanical Options	Coil Options	
				Electric	Hot Gas Loop	Insulated	TXV	ElectroFin Coil	Bronz-Glow
GLC200BEK	GLC200SK	6	8,989	No Charge	Standard	289	407	Call Factory	Call Factory
GLC240BEK	GLC240SK	6	10,773	No Charge	Standard	329	768	Call Factory	Call Factory
GLC280BEK	GLC280SK	6	12,049	No Charge	Standard	329	768	Call Factory	Call Factory
GLC041BEK	GLC041SK	4	2,560	No Charge	Standard	126	407	Call Factory	Call Factory
GLC068BEK	GLC068SK	4	4,330	No Charge	Standard	173	407	Call Factory	Call Factory
GLC080BEK	GLC080SK	4	4,570	No Charge	Standard	173	407	Call Factory	Call Factory
GLC102BEK	GLC102SK	4	5,637	No Charge	Standard	214	407	Call Factory	Call Factory
GLC136BEK	GLC136SK	4	7,370	No Charge	Standard	263	407	Call Factory	Call Factory
GLC170BEK	GLC170SK	4	9,119	No Charge	Standard	289	407	Call Factory	Call Factory
GLC204BEK	GLC204SK	4	10,705	No Charge	Standard	329	768	Call Factory	Call Factory
GLC235BEK	GLC235SK	4	11,951	No Charge	Standard	329	768	Call Factory	Call Factory

Hot Gas Defrost Models with PSC Motors - 115/1/60

GLC035AK	GLC035SK	6	1,882	No Charge	Standard	126	407	Call Factory	Call Factory
GLC040AK	GLC040SK	6	2,038	No Charge	Standard	126	407	Call Factory	Call Factory
GLC047AK	GLC047SK	6	2,362	No Charge	Standard	126	407	Call Factory	Call Factory
GLC065AK	GLC065SK	6	2,657	No Charge	Standard	173	407	Call Factory	Call Factory
GLC075AK	GLC075SK	6	2,973	No Charge	Standard	173	407	Call Factory	Call Factory
GLC090AK	GLC090SK	6	3,311	No Charge	Standard	173	407	Call Factory	Call Factory
GLC120AK	GLC120SK	6	3,834	No Charge	Standard	214	407	Call Factory	Call Factory
GLC140AK	GLC140SK	6	4,624	No Charge	Standard	214	407	Call Factory	Call Factory
GLC160AK	GLC160SK	6	4,924	No Charge	Standard	263	407	Call Factory	Call Factory
GLC180AK	GLC180SK	6	5,685	No Charge	Standard	263	407	Call Factory	Call Factory
GLC200AK	GLC200SK	6	5,873	No Charge	Standard	289	407	Call Factory	Call Factory
GLC240AK	GLC240SK	6	6,936	No Charge	Standard	329	768	Call Factory	Call Factory
GLC280AK	GLC280SK	6	8,081	No Charge	Standard	329	768	Call Factory	Call Factory
GLC041AK	GLC041SK	4	1,973	No Charge	Standard	126	407	Call Factory	Call Factory
GLC068AK	GLC068SK	4	3,173	No Charge	Standard	173	407	Call Factory	Call Factory
GLC080AK	GLC080SK	4	3,396	No Charge	Standard	173	407	Call Factory	Call Factory
GLC102AK	GLC102SK	4	3,747	No Charge	Standard	214	407	Call Factory	Call Factory
GLC136AK	GLC136SK	4	4,867	No Charge	Standard	263	407	Call Factory	Call Factory
GLC170AK	GLC170SK	4	5,997	No Charge	Standard	289	407	Call Factory	Call Factory
GLC204AK	GLC204SK	4	6,973	No Charge	Standard	329	768	Call Factory	Call Factory
GLC235AK	GLC235SK	4	8,100	No Charge	Standard	329	768	Call Factory	Call Factory

Federal Regulation Requires EC Motors!

Energy Independence and Security Act of 2007 (H.R. 6)

Walk-Ins manufactured on or after 01/01/2009 and under 3,000 square feet in area with single phase evaporator fan motors less than 1 HP and less than 460V must be EC motors

Notes:

- Adjustable Defrost Term. / Fan Delay is standard.
- When using hot gas defrost units on 0°F degree applications and below, an insulated drain pan is required for models with hot gas drain pans.
- TXV = Expansion Valve
- PSC-TE Fan Motors, Stainless Steel Cabinet & Pan, and Copper Fin Coils are available. Contact your Sales Representative or Account Engineer for more information.

Low Profile

Hot Gas Defrost Models & Options

When Do You Choose a Configurable Model?

- Choose when there is not a standard model listed or you want to add factory-installed options.
- When ordering a configurable model, remember to specify the voltage and fan motor type.

Chandler Standard Model	Chandler Configurable Model	FPI	List Price (\$US)	Factory-Installed Options List Price Adders (\$US)					
				Drain Pan Options			Mechanical Options	Coil Options	
				Electric	Hot Gas Loop	Insulated	TXV	ElectroFin Coil	Bronz-Glow
Hot Gas Defrost Models with PSC Motors - 208-230/1/60									
GLC035BK	GLC035SK	6	1,932	No Charge	Standard	126	407	Call Factory	Call Factory
GLC040BK	GLC040SK	6	2,096	No Charge	Standard	126	407	Call Factory	Call Factory
GLC047BK	GLC047SK	6	2,427	No Charge	Standard	126	407	Call Factory	Call Factory
GLC065BK	GLC065SK	6	2,870	No Charge	Standard	173	407	Call Factory	Call Factory
GLC075BK	GLC075SK	6	3,185	No Charge	Standard	173	407	Call Factory	Call Factory
GLC090BK	GLC090SK	6	3,575	No Charge	Standard	173	407	Call Factory	Call Factory
GLC120BK	GLC120SK	6	4,140	No Charge	Standard	214	407	Call Factory	Call Factory
GLC140BK	GLC140SK	6	4,825	No Charge	Standard	214	407	Call Factory	Call Factory
GLC160BK	GLC160SK	6	5,319	No Charge	Standard	263	407	Call Factory	Call Factory
GLC180BK	GLC180SK	6	6,204	No Charge	Standard	263	407	Call Factory	Call Factory
GLC200BK	GLC200SK	6	6,342	No Charge	Standard	289	407	Call Factory	Call Factory
GLC240BK	GLC240SK	6	7,596	No Charge	Standard	329	768	Call Factory	Call Factory
GLC280BK	GLC280SK	6	8,872	No Charge	Standard	329	768	Call Factory	Call Factory
GLC041BK	GLC041SK	4	2,030	No Charge	Standard	126	407	Call Factory	Call Factory
GLC068BK	GLC068SK	4	3,271	No Charge	Standard	173	407	Call Factory	Call Factory
GLC080BK	GLC080SK	4	3,511	No Charge	Standard	173	407	Call Factory	Call Factory
GLC102BK	GLC102SK	4	4,049	No Charge	Standard	214	407	Call Factory	Call Factory
GLC136BK	GLC136SK	4	5,252	No Charge	Standard	263	407	Call Factory	Call Factory
GLC170BK	GLC170SK	4	6,470	No Charge	Standard	289	407	Call Factory	Call Factory
GLC204BK	GLC204SK	4	7,527	No Charge	Standard	329	768	Call Factory	Call Factory
GLC235BK	GLC235SK	4	8,774	No Charge	Standard	329	768	Call Factory	Call Factory
Hot Gas Defrost Models with PSC Motors - 460/1/60									
-	GLC035SK	6	2,099	No Charge	Standard	126	407	Call Factory	Call Factory
-	GLC040SK	6	2,261	No Charge	Standard	126	407	Call Factory	Call Factory
-	GLC047SK	6	2,596	No Charge	Standard	126	407	Call Factory	Call Factory
-	GLC065SK	6	3,204	No Charge	Standard	173	407	Call Factory	Call Factory
-	GLC075SK	6	3,518	No Charge	Standard	173	407	Call Factory	Call Factory
-	GLC090SK	6	3,911	No Charge	Standard	173	407	Call Factory	Call Factory
-	GLC120SK	6	4,639	No Charge	Standard	214	407	Call Factory	Call Factory
-	GLC140SK	6	5,325	No Charge	Standard	214	407	Call Factory	Call Factory
-	GLC160SK	6	5,992	No Charge	Standard	263	407	Call Factory	Call Factory
-	GLC180SK	6	6,873	No Charge	Standard	263	407	Call Factory	Call Factory

Federal Regulation Requires EC Motors! Energy Independence and Security Act of 2007 (H.R. 6)

Walk-Ins manufactured on or after 01/01/2009 and under 3,000 square feet in area with single phase evaporator fan motors less than 1 HP and less than 460V must be EC motors

Notes:

- Adjustable Defrost Term. / Fan Delay is standard.
- When using hot gas defrost units on 0°F degree applications and below, an insulated drain pan is required for models with hot gas drain pans.
- TXV = Expansion Valve
- PSC-TE Fan Motors, Stainless Steel Cabinet & Pan, and Copper Fin Coils are available. Contact your Sales Representative or Account Engineer for more information.

Low Profile

Hot Gas Defrost Models & Options

When Do You Choose a Configurable Model?

- Choose when there is not a standard model listed or you want to add factory-installed options.
- When ordering a configurable model, remember to specify the voltage and fan motor type.

Chandler Standard Model	Chandler Configurable Model	FPI	List Price (\$US)	Factory-Installed Options List Price Adders (\$US)					
				Drain Pan Options			Mechanical Options	Coil Options	
				Electric	Hot Gas Loop	Insulated	TXV	ElectroFin Coil	Bronz-Glow
-	GLC200SK	6	7,179	No Charge	Standard	289	407	Call Factory	Call Factory
-	GLC240SK	6	8,605	No Charge	Standard	329	768	Call Factory	Call Factory
-	GLC280SK	6	9,881	No Charge	Standard	329	768	Call Factory	Call Factory
-	GLC041SK	4	2,159	No Charge	Standard	126	407	Call Factory	Call Factory
-	GLC068SK	4	3,523	No Charge	Standard	173	407	Call Factory	Call Factory
-	GLC080SK	4	3,761	No Charge	Standard	173	407	Call Factory	Call Factory
-	GLC102SK	4	4,427	No Charge	Standard	214	407	Call Factory	Call Factory
-	GLC136SK	4	5,750	No Charge	Standard	263	407	Call Factory	Call Factory
-	GLC170SK	4	7,097	No Charge	Standard	289	407	Call Factory	Call Factory
-	GLC204SK	4	8,277	No Charge	Standard	329	768	Call Factory	Call Factory
-	GLC235SK	4	9,523	No Charge	Standard	329	768	Call Factory	Call Factory

Federal Regulation Requires EC Motors!

Energy Independence and Security Act of 2007 (H.R. 6)

Walk-Ins manufactured on or after 01/01/2009 and under 3,000 square feet in area with single phase evaporator fan motors less than 1 HP and less than 460V must be EC motors

Notes:

- Adjustable Defrost Term. / Fan Delay is standard.
- When using hot gas defrost units on 0°F degree applications and below, an insulated drain pan is required for models with hot gas drain pans.
- TXV = Expansion Valve
- PSC-TE Fan Motors, Stainless Steel Cabinet & Pan, and Copper Fin Coils are available. Contact your Sales Representative or Account Engineer for more information.

Low Profile

Hot Gas Reverse Cycle Kits

Need a Hot Gas Reverse Cycle Kit?

Use the instructions below to help select the appropriate kit. Still need help? Please contact your local Sales Representative or Account Engineer for assistance.

Selection Instructions:

1. Decide if kits are to be shipped-loose or factory-installed.
2. Select the correct TXV bypass kit based on unit model number and TXV style. Selections for units with the electric drain pan option are finished. For units with the standard hot gas drain pan, please proceed with instructions 3 and 4.
3. Select the appropriate drain pan and suction-line check valve kits based on unit model number. Drain pan and suction-line check valves and piping can be supplied by others but are necessary to complete the piping.
4. If room temperature is 0°F or below, please select an insulated drain pan as a factory-installed option. Selection for hot gas pan unit is finished.

When placing an order, please specify:

- Unit model number
- Drain pan type (hot gas or electric). If ordering hot gas pan, indicate whether unit is to have insulated pan.
- Reverse cycle kit option codes or part numbers. If ordering factory-mounted kits, please specify TXV style, refrigerant, saturated suction temperature (SST) and liquid temperature.

TXV Bypass Assembly Kits

Chandler Hot Gas Models		Factory-Installed			List Price Adder (\$US)	Shipped-Loose			List Price (\$US)
6 FPI	4 FPI	Type EG Option Code	Type HFESC Option Code	Type SQE/SBF Option Code		Type EG Part Number	Type HFESC Part Number	Type SQE/SBF Part Number	
035 - 075	041 - 080	RCBP.EG-1	RCBP.HF-1	RCBPSQ-1	1,141	50169213	50169216	50169210	151
090 - 160	102 - 204	RCBP.EG-2	RCBP.HF-2	RCBPSQ-2	1,141	50169214	50169217	50169211	151
180 - 280	235	RCBP.EG-3	RCBP.HF-3	RCBPSQ-3	1,141	50169215	50169218	50169212	151

Notes:

- Factory-Installed Kits include the TXV price. Customer must specify valve model, refrigerant and SST on order.
- Shipped-Loose Kits do NOT include the TXV price.

Check Valve Kits

Only available for models with the standard hot gas loop drain pan.

Chandler Hot Gas Models		Drain Pan Loop Check Valve Kit				Suction Line Check Valve Kit			
6 FPI	4 FPI	Factory-Installed		Shipped-Loose		Factory-Installed		Shipped-Loose	
		Option Code	List Price Adder (\$US)	Part Number	List Price (\$US)	Option Code	List Price Adder (\$US)	Part Number	List Price (\$US)
035 - 065	041	DPLC.CV-1	777	50169304	140	SLCV.CV-1	857	50169604	224
075 - 140	068 - 102	DPLC.CV-2	777	50169305	140	SLCV.CV-2	857	50169605	224
160 - 280	136 - 235	DPLC.CV-3	777	50169306	140	SLCV.CV-3	857	50169606	224

Notes:

- It is recommended that the customer order both check valve kits.
- Shipped-Loose Kits do NOT include the valve prices.
- The drain pan check valve kit can be ordered as an independent item, but the suction-line check valve kit must be ordered with the drain pan check valve kit in order to complete the piping

Low Profile

Hot Gas 3-Pipe Kits

Need a Hot Gas 3-Pipe Kit?

Use the instructions below to help select the appropriate kit. Still need help? Please contact your local Sales Representative or Account Engineer for assistance.

Selection Instructions:

1. Decide if kits are to be shipped-loose or factory-installed.
2. Select the appropriate 3-pipe kits based on unit model number. Drain pan loop check valve and piping can be supplied by others but are necessary to complete the piping.
3. If room temperature is 0°F or below, please select an insulated drain pan as a factory-installed option. Selection for hot gas pan unit is finished.

When placing an order, please specify:

- Unit model number
- Drain pan type (hot gas or electric). If ordering hot gas pan, indicate whether unit is to have insulated pan.
- 3-Pipe kit option codes or part numbers. If ordering factory-mounted kits, please specify TXV style, refrigerant, saturated suction temperature (SST) and liquid temperature.

TXV Bypass Assembly Kits

Chandler Hot Gas Models		Factory-Installed			List Price Adder (\$US)	Shipped-Loose			List Price (\$US)
		Type EG	Type HFESC	Type SQE/SBF		Type EG	Type HFESC	Type SQE/SBF	
6 FPI	4 FPI	Option Code	Option Code	Option Code		Part Number	Part Number	Part Number	
035 - 075	041 - 080	PIPEG-1	PIPHF-1	PIPSQ-1	1,093	50169413	50169416	50169410	110
090 - 160	102 - 204	PIPEG-2	PIPHF-2	PIPSQ-2	1,093	50169414	50169417	50169411	110
180 - 280	235	PIPEG-3	PIPHF-3	PIPSQ-3	1,093	50169415	50169418	50169412	110

Notes:

- Factory-Installed Kits include the TXV price. Customer must specify valve model, refrigerant and SST on order.
- Shipped-Loose Kits do NOT include the TXV price.

Check Valve Kits

Only available for models with the standard hot gas loop drain pan.

Chandler Hot Gas Models		Drain Pan Loop Check Valve Kit			
		Factory-Installed		Shipped - Loose	
6 FPI	4 FPI	Option Code	List Price Adder (\$US)	Part Number	List Price (\$US)
035 - 065	041	PIPCV.CV-1	777	50169504	136
075 - 140	068 - 102	PIPCV.CV-2	777	50169505	136
160 - 280	136 - 235	PIPCV.CV-3	777	50169506	136

Notes:

- Shipped-Loose Kits do NOT include the valve prices.

Low Profile

Shipped-Loose Accessories

A wide range of shipped-loose accessories are available to order. Can't Find Something or need help selecting the appropriate accessory for your unit? Please contact your local Sales Representative or Account Engineer for assistance.

Part Number	Description	List Price (\$US)	Notes
Room Thermostats			
2891040	Room Thermostat	264	-
28963101	Electronic Room Thermostat	334	-
Defrost Controls			
4267W	Adjustable Defrost Control / Fan Delay Switch	247	-
21340101	Defrost Timer (60 Hz)	309	-
5505-R	30-Amp Contactor	331	Use as fan or heater contactor
Check Valves			
4146T	5/8" Suction Line Check Valve	88	-
5890C	7/8" Suction Line Check Valve	186	-
5889C	1 1/8" Suction Line Check Valve	362	-
2933022	1 3/8" Suction Line Check Valve	746	-
Drain Line Heaters			
5508Q	6 ft. Drain Line heater (208-230V, 42 Watts)	134	-
5594P	12 ft. Drain Line heater (208-230V, 84 Watts)	146	-
5595P	18 ft. Drain Line heater (208-230V, 126 Watts)	173	-
5596P	36 ft. Drain Line heater (208-230V, 252 Watts)	265	-
5597P	60 ft. Drain Line heater (208-230V, 420 Watts)	489	-
Heat Exchangers			
24200004	Heat Exchanger used on 035 - 047 (6FPI) and 041 - 068 (4FPI) Electric & Hot Gas Defrost Models	219	3/8" Liquid Connection OD, 5/8" Suction Connection OD, 14" Length, 2lbs Approx. Ship Wt.
24200005	Heat Exchanger used on 065 - 094 (6FPI) and 080 - 105 (4FPI) Electric & Hot Gas Defrost Models	240	3/8" Liquid Connection OD, 7/8" Suction Connection OD, 14" Length, 2lbs Approx. Ship Wt.
24200006	Heat Exchanger used on 120 - 140 (6FPI) and 136 - 139 (4FPI) Electric & Hot Gas Defrost Models	259	1/2" Liquid Connection OD, 7/8" Suction Connection OD, 11" Length, 2lbs Approx. Ship Wt.
24200007	Heat Exchanger used on 160 - 180 (6FPI) and 170 - 174 (4FPI) Electric & Hot Gas Defrost Models	281	1/2" Liquid Connection OD, 1-1/8" Suction Connection OD, 14" Length, 2lbs Approx. Ship Wt.
24200008	Heat Exchanger used on 200 - 280 (6FPI) and 204 - 235 (4FPI) Electric & Hot Gas Defrost Models	471	5/8" Liquid Connection OD, 1-3/8" Suction Connection OD, 14" Length, 3lbs Approx. Ship Wt.

Expansion Valves (TXV)

When placing order, please specify refrigerant type, saturated suction temperature (SST), liquid temperature, and room temperature.

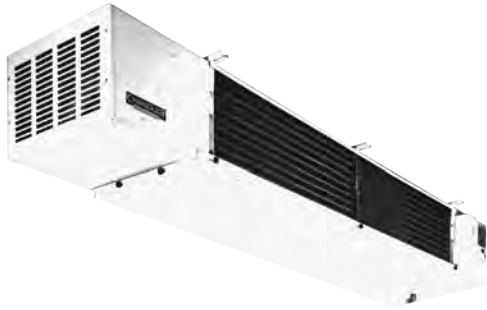
Part Number	List Price (\$US)	Capacity Range (BTUH)
TXV024	307	24,000 BTUH and under
TXV036	307	24,000 BTUH to 36,000 BTUH
TXV060	497	36,000 BTUH to 60,000 BTUH

Liquid-line Solenoid Valves (LLSV)

Part Number	List Price (\$US)	Size	Capacity Range (R-404A)	
			Medium Temperature Application (BTUH)	Low Temperature Application (BTUH)
29318013	293	3/8	12,000 BTUH and under	11,000 BTUH and under
4502Z	293	3/8	12,000 BTUH to 24,000 BTUH	11,000 BTUH to 21,000 BTUH
29318011	316	3/8	24,000 BTUH to 44,000 BTUH	21,000 BTUH to 38,000 BTUH
29318012	316	1/2	36,000 BTUH to 51,000 BTUH	31,000 BTUH to 44,000 BTUH

Low Flow

Overview



Product Description

Low Flow unit coolers, available in air, electric, and hot gas defrost, are ideal for meat storage and preparation rooms, floral coolers, dough retarding and many other applications requiring low air velocities and low sound levels. With low velocity unit coolers, high humidities can be maintained to prevent product drying and weight loss. These units are ideal for any type of workroom where human comfort is important. Opting for EC motors makes this product qualified to be included in the **E Solutions™** product portfolio because of increased energy efficiency and cost savings.

Certifications



Standard Features

Ease of Installation & Service

- All factory installed electrical components are wired to a terminal board in the junction box making field wiring quick and easy
- Access port on the suction connection allows superheat to be easily and accurately set
- Motors are factory-wired to unit junction box for fast installation

Reliable & Durable

- Rust-free, all-aluminum white case with louvered intake grille for attractive appearance
- Sweat-type cooling coil connections reduce the potential for leaks
- Nickel-steel alloy heaters provide a positive defrost and have long life
- Hot gas models use inner drain pans with low-wattage electric heaters. This eliminates the braze joints and tubing associated with hot gas drain pan loops

Performance

- Statically and dynamically balanced fans are designed for quiet air movement
- Electric defrost coils have a hermetically sealed defrost termination thermostat that does not require adjustment. Hot gas defrost units are available with an optional adjustable defrost termination thermostat (shipped-loose accessory).
- Cross-fin cooling coils with corrugated aluminum fins spaced 6 FPI & 3/8" OD staggered copper tubes provide optimum heat transfer and reduce the amount of refrigerant required
- Generous coil surface helps to maintain steady room temperature and minimize product shrinkage
- All models use inner drain pans to reduce sweating
- Thermal overload protected motors are resiliently mounted inside the unit to assure minimum noise level

Versatile

- Inlet connection allows for external mounting of TXV

Nomenclature

LAH	070	A	E
Model Series	Capacity	Electrical Code	Vintage
LAH = Low flow, air defrost LAL = Low flow, electric defrost LAG = Low flow, hot gas defrost	# x 100 = BTUH	A = 115/1/60 B = 208-230/1/60 AH = 115/1/60 (PSC) BH = 208-230/1/60 (PSC) MH = 460/1/60 (PSC) AE = 115/1/60 (EC) BE = 208-230/1/60 (EC) S = Configurable	

Low Flow

Air Defrost Models & Options

When Do You Choose a Configurable Model?

- Choose when there is not a standard model listed or you want to add factory-installed options.
- When ordering a configurable model, remember to specify the voltage and fan motor type.

Chandler Standard Model	Chandler Configurable Model	List Price (\$US)	Factory-Installed Options List Price Adders (\$US)		
			Coil Options		
			ElectroFin Coil	Polyester Fin Protection	Bronz-Glow
Air Defrost Models with EC Motors - 115/1/60					
-	LAH070SE	5,382	Call Factory	2,067	Call Factory
-	LAH090SE	5,635	Call Factory	2,067	Call Factory
-	LAH120SE	6,638	Call Factory	2,067	Call Factory
-	LAH130SE	7,044	Call Factory	2,067	Call Factory
-	LAH160SE	7,444	Call Factory	2,067	Call Factory
-	LAH170SE	8,212	Call Factory	2,067	Call Factory
-	LAH190SE	8,985	Call Factory	2,502	Call Factory
-	LAH220SE	9,719	Call Factory	2,502	Call Factory
-	LAH270SE	10,461	Call Factory	2,502	Call Factory
Air Defrost Models with EC Motors - 208-230/1/60					
-	LAH070SE	5,554	Call Factory	2,067	Call Factory
-	LAH090SE	5,802	Call Factory	2,067	Call Factory
-	LAH120SE	6,805	Call Factory	2,067	Call Factory
-	LAH130SE	7,214	Call Factory	2,067	Call Factory
-	LAH160SE	7,621	Call Factory	2,067	Call Factory
-	LAH170SE	8,383	Call Factory	2,067	Call Factory
-	LAH190SE	9,148	Call Factory	2,502	Call Factory
-	LAH220SE	9,888	Call Factory	2,502	Call Factory
-	LAH270SE	10,628	Call Factory	2,502	Call Factory
Air Defrost Models with PSC Motors - 115/1/60					
-	LAH070SE	4,604	Call Factory	2,067	Call Factory
-	LAH090SE	4,857	Call Factory	2,067	Call Factory
-	LAH120SE	5,860	Call Factory	2,067	Call Factory
-	LAH130SE	6,266	Call Factory	2,067	Call Factory
-	LAH160SE	6,666	Call Factory	2,067	Call Factory
-	LAH170SE	7,434	Call Factory	2,067	Call Factory
LAH190AE	LAH190SE	7,859	Call Factory	2,502	Call Factory
LAH220AE	LAH220SE	8,593	Call Factory	2,502	Call Factory
LAH270AE	LAH270SE	9,335	Call Factory	2,502	Call Factory

Federal Regulation Requires EC Motors!

Energy Independence and Security Act of 2007 (H.R. 6)

Walk-Ins manufactured on or after 01/01/2009 and under 3,000 square feet in area with single phase evaporator fan motors less than 1 HP and less than 460V must be EC motors.

Notes:

- Copper Fin Coils are available. Contact your Sales Representative or Account Engineer for more information.

Low Flow

Air Defrost Models & Options

When Do You Choose a Configurable Model?

- Choose when there is not a standard model listed or you want to add factory-installed options.
- When ordering a configurable model, remember to specify the voltage and fan motor type.

Section 1

Chandler Standard Model	Chandler Configurable Model	List Price (\$US)	Factory-Installed Options List Price Adders (\$US)		
			Coil Options		
			ElectroFin Coil	Polyester Fin Protection	Bronz-Glow
Air Defrost Models with PSC Motors - 208-230/1/60					
-	LAH070SE	4,776	Call Factory	2,067	Call Factory
-	LAH090SE	5,024	Call Factory	2,067	Call Factory
-	LAH120SE	6,027	Call Factory	2,067	Call Factory
-	LAH130SE	6,436	Call Factory	2,067	Call Factory
-	LAH160SE	6,843	Call Factory	2,067	Call Factory
-	LAH170SE	7,605	Call Factory	2,067	Call Factory
LAH190BE	LAH190SE	8,023	Call Factory	2,502	Call Factory
LAH220BE	LAH220SE	8,762	Call Factory	2,502	Call Factory
LAH270BE	LAH270SE	9,502	Call Factory	2,502	Call Factory
Air Defrost Models with Shaded Pole Motors - 115/1/60					
LAH070AE	LAH070SE	4,256	Call Factory	2,067	Call Factory
LAH090AE	LAH090SE	4,509	Call Factory	2,067	Call Factory
LAH120AE	LAH120SE	5,512	Call Factory	2,067	Call Factory
LAH130AE	LAH130SE	5,918	Call Factory	2,067	Call Factory
LAH160AE	LAH160SE	6,318	Call Factory	2,067	Call Factory
LAH170AE	LAH170SE	7,086	Call Factory	2,067	Call Factory
Air Defrost Models with Shaded Pole Motors - 208-230/1/60					
LAH070BE	LAH070SE	4,428	Call Factory	2,067	Call Factory
LAH090BE	LAH090SE	4,676	Call Factory	2,067	Call Factory
LAH120BE	LAH120SE	5,679	Call Factory	2,067	Call Factory
LAH130BE	LAH130SE	6,088	Call Factory	2,067	Call Factory
LAH160BE	LAH160SE	6,495	Call Factory	2,067	Call Factory
LAH170BE	LAH170SE	7,257	Call Factory	2,067	Call Factory

Federal Regulation Requires EC Motors!

Energy Independence and Security Act of 2007 (H.R. 6)

Walk-Ins manufactured on or after 01/01/2009 and under 3,000 square feet in area with single phase evaporator fan motors less than 1 HP and less than 460V must be EC motors.

Notes:

- Copper Fin Coils are available. Contact your Sales Representative or Account Engineer for more information.

Low Flow

Electric Defrost Models & Options

When Do You Choose a Configurable Model?

- Choose when there is not a standard model listed or you want to add factory-installed options.
- When ordering a configurable model, remember to specify the voltage and fan motor type.

Chandler Standard Model	Chandler Configurable Model	List Price (\$US)	Factory-Installed Options List Price Adders (\$US)	
			Electrical Options	Coil Options
			Fixed Defrost Term. Thermostat	Bronz-Glow
Electric Defrost Models with EC Motors - 208-230/1/60				
-	LAL070SE	5,871	Standard	Call Factory
-	LAL090SE	6,516	Standard	Call Factory
-	LAL120SE	8,029	Standard	Call Factory
-	LAL130SE	8,244	Standard	Call Factory
-	LAL160SE	8,430	Standard	Call Factory
-	LAL170SE	9,735	Standard	Call Factory
-	LAL190SE	10,184	Standard	Call Factory
-	LAL220SE	11,311	Standard	Call Factory
-	LAL270SE	11,899	Standard	Call Factory
Electric Defrost Models with PSC Motors - 208-230/1/60				
-	LAL070SE	5,093	Standard	Call Factory
-	LAL090SE	5,738	Standard	Call Factory
-	LAL120SE	7,251	Standard	Call Factory
-	LAL130SE	7,466	Standard	Call Factory
-	LAL160SE	7,652	Standard	Call Factory
-	LAL170SE	8,957	Standard	Call Factory
LAL190BE	LAL190SE	9,057	Standard	Call Factory
LAL220BE	LAL220SE	10,186	Standard	Call Factory
LAL270BE	LAL270SE	10,772	Standard	Call Factory
Electric Defrost Models with Shaded Pole Motors - 208-230/1/60				
LAL070BE	LAL070SE	4,745	Standard	Call Factory
LAL090BE	LAL090SE	5,390	Standard	Call Factory
LAL120BE	LAL120SE	6,903	Standard	Call Factory
LAL130BE	LAL130SE	7,118	Standard	Call Factory
LAL160BE	LAL160SE	7,304	Standard	Call Factory
LAL170BE	LAL170SE	8,609	Standard	Call Factory

Federal Regulation Requires EC Motors!

Energy Independence and Security Act of 2007 (H.R. 6)

Walk-Ins manufactured on or after 01/01/2009 and under 3,000 square feet in area with single phase evaporator fan motors less than 1 HP and less than 460V must be EC motors.

Notes:

- Electric Drain Pan is standard on electric defrost models.
- Copper Fin Coils are available. Contact your Sales Representative or Account Engineer for more information.

Low Flow

Hot Gas Defrost Models & Options

When Do You Choose a Configurable Model?

- Choose when there is not a standard model listed or you want to add factory-installed options.
- When ordering a configurable model, remember to specify the voltage and fan motor type.

Section 1

Chandler Standard Model	Chandler Configurable Model	List Price (\$US)	Factory-Installed Options
			List Price Adders (\$US)
			Coil Options
			Bronz-Glow
Hot Gas Defrost Models with EC Motors - 115/1/60			
-	LAG070SE	5,773	Call Factory
-	LAG090SE	6,415	Call Factory
-	LAG120SE	7,926	Call Factory
-	LAG130SE	8,140	Call Factory
-	LAG160SE	8,333	Call Factory
-	LAG170SE	9,628	Call Factory
-	LAG190SE	10,081	Call Factory
-	LAG220SE	11,208	Call Factory
-	LAG270SE	11,796	Call Factory
Hot Gas Defrost Models with EC Motors - 208-230/1/60			
-	LAG070SE	5,943	Call Factory
-	LAG090SE	6,583	Call Factory
-	LAG120SE	8,094	Call Factory
-	LAG130SE	8,308	Call Factory
-	LAG160SE	8,500	Call Factory
-	LAG170SE	9,804	Call Factory
-	LAG190SE	10,250	Call Factory
-	LAG220SE	11,380	Call Factory
-	LAG270SE	11,968	Call Factory
Hot Gas Defrost Models with PSC Motors - 115/1/60			
-	LAG070SE	4,995	Call Factory
-	LAG090SE	5,637	Call Factory
-	LAG120SE	7,148	Call Factory
-	LAG130SE	7,362	Call Factory
-	LAG160SE	7,555	Call Factory
-	LAG170SE	8,850	Call Factory
LAG190AE	LAG190SE	8,954	Call Factory
LAG220AE	LAG220SE	10,083	Call Factory
LAG270AE	LAG270SE	10,669	Call Factory

Need a Reverse Cycle Kit?

Look on page 38 for the available kits in the Shipped-Loose Accessories.

Federal Regulation Requires EC Motors!

Energy Independence and Security Act of 2007 (H.R. 6)

Walk-Ins manufactured on or after 01/01/2009 and under 3,000 square feet in area with single phase evaporator fan motors less than 1 HP and less than 460V must be EC motors.

Notes:

- Electric Drain Pan is standard on hot gas defrost models. Hot gas loop not available.
- Copper Fin Coils are available. Contact your Sales Representative or Account Engineer for more information.

Low Flow

Hot Gas Defrost Models & Options

When Do You Choose a Configurable Model?

- Choose when there is not a standard model listed or you want to add factory-installed options.
- When ordering a configurable model, remember to specify the voltage and fan motor type.

Chandler Standard Model	Chandler Configurable Model	List Price (\$US)	Factory-Installed Options
			List Price Adders (\$US)
			Coil Options
			Bronz-Glow
Hot Gas Defrost Models with PSC Motors - 208-230/1/60			
-	LAG070SE	5,165	Call Factory
-	LAG090SE	5,805	Call Factory
-	LAG120SE	7,316	Call Factory
-	LAG130SE	7,530	Call Factory
-	LAG160SE	7,722	Call Factory
-	LAG170SE	9,026	Call Factory
LAG190BE	LAG190SE	9,124	Call Factory
LAG220BE	LAG220SE	10,254	Call Factory
LAG270BE	LAG270SE	10,841	Call Factory
Hot Gas Defrost Models with Shaded Pole Motors - 115/1/60			
LAG070AE	LAG070SE	4,647	Call Factory
LAG090AE	LAG090SE	5,289	Call Factory
LAG120AE	LAG120SE	6,800	Call Factory
LAG130AE	LAG130SE	7,014	Call Factory
LAG160AE	LAG160SE	7,207	Call Factory
LAG170AE	LAG170SE	8,502	Call Factory
Hot Gas Defrost Models with Shaded Pole Motors - 208-230/1/60			
LAG070BE	LAG070SE	4,817	Call Factory
LAG090BE	LAG090SE	5,457	Call Factory
LAG120BE	LAG120SE	6,968	Call Factory
LAG130BE	LAG130SE	7,182	Call Factory
LAG160BE	LAG160SE	7,374	Call Factory
LAG170BE	LAG170SE	8,678	Call Factory

Need a Reverse Cycle Kit?

Look on page 38 for the available kits in the Shipped-Loose Accessories.

Federal Regulation Requires EC Motors!

Energy Independence and Security Act of 2007 (H.R. 6)

Walk-Ins manufactured on or after 01/01/2009 and under 3,000 square feet in area with single phase evaporator fan motors less than 1 HP and less than 460V must be EC motors.

Notes:

- Electric Drain Pan is standard on hot gas defrost models. Hot gas loop not available.
- Copper Fin Coils are available. Contact your Sales Representative or Account Engineer for more information.

Low Flow

Shipped-Loose Accessories

Can't Find Something or need help selecting the appropriate accessory for your unit? Please contact your local Sales Representative or Account Engineer for assistance.

Part Number	Description	List Price (\$US)	Notes
Room Thermostats			
2891040	Room Thermostat	264	-
28963101	Electronic Room Thermostat	334	-
Defrost Controls			
4267W	Adjustable Defrost Control / Fan Delay Switch	247	-
Check Valves			
5890C	7/8" Suction Line Check Valve	186	-
Drain Line Heaters			
5508Q	6 ft. Drain Line Heater (208-230V, 42 Watts)	134	-
5594P	12 ft. Drain Line Heater (208-230V, 84 Watts)	146	-
5595P	18 ft. Drain Line Heater (208-230V, 126 Watts)	173	-
5596P	36 ft. Drain Line Heater (208-230V, 252 Watts)	265	-
5597P	60 ft. Drain Line Heater (208-230V, 420 Watts)	489	-
Air Filters			
89900801	Air Filters	346	Use on Models LAH/LAL/LAG 070-130
89900802	Air Filters	289	Use on Models LAH/LAL/LAG 160-220
89900803	Air Filters	289	Use on Models LAH/LAL/LAG 270
Heat Exchangers			
24200005	Heat Exchanger used on 070 - 120 Electric & Hot Gas Defrost Models	240	3/8" Liquid Connection OD, 7/8" Suction Connection OD, 14" Length, 2lbs Approx. Ship Wt.
24200006	Heat Exchanger used on 130 - 170 Electric & Hot Gas Defrost Models	259	1/2" Liquid Connection OD, 7/8" Suction Connection OD, 11" Length, 2lbs Approx. Ship Wt.
24200007	Heat Exchanger used on 190 - 220 Electric & Hot Gas Defrost Models	281	1/2" Liquid Connection OD, 1-1/8" Suction Connection OD, 14" Length, 2lbs Approx. Ship Wt.
24200008	Heat Exchanger used on 270 Electric & Hot Gas Defrost Models	471	5/8" Liquid Connection OD, 1-3/8" Suction Connection OD, 14" Length, 3lbs Approx. Ship Wt.

Expansion Valves (TXV)

When placing order, please specify refrigerant type, saturated suction temperature (SST), liquid temperature, and room temperature.

Part Number	List Price (\$US)	Capacity Range (BTUH)
TXV024	307	24,000 BTUH and under
TXV036	307	24,000 BTUH to 36,000 BTUH
TXV060	497	36,000 BTUH to 60,000 BTUH

Liquid-line Solenoid Valves (LLSV)

Part Number	List Price (\$US)	Size	Capacity Range (R-404A)
			Medium Temperature Application (BTUH)
29318013	293	3/8	12,000 BTUH and under
4502Z	293	3/8	12,000 BTUH to 24,000 BTUH
29318011	316	3/8	24,000 BTUH to 44,000 BTUH
29318012	316	1/2	36,000 BTUH to 51,000 BTUH
5766Y	316	1/2	51,000 BTUH to 72,000 BTUH

Hot Gas Reverse Cycle Kits (Hot Gas Models Only)

- Electric pan is standard on all hot gas models. Hot gas loop not available.
- Kits includes one check valve and piping for liquid bypass around expansion valve and instructions for field installation.

Chandler Models Used On	TXV Bypass Kits	
	Part Number	List Price (\$US)
LAG070 - LAG220	89900901	284
LAG270	89901001	480

Low Velocity Center Mount

Overview



Product Description

The low velocity center mount units, available in air, electric, and hot gas defrost, are ideal for floral storage, fresh fruit and vegetables, dough retarding, fresh meat storage and preparations, and many other applications. The low air flow and quiet fans are classically suited for work room applications. The generous coil surface combined with close T.D. system balance provides high humidity characteristics to minimize product shrinkage and drying. Opting for EC motors or the Beacon II™ Refrigeration System makes this product qualified to be included in the **E Solutions™** product portfolio because of increased energy efficiency and cost savings.

Certifications



Standard Features

Ease of Installation & Service

- Liquid line solenoid wire harness is factory-installed for quick installation
- All electrical components factory wired to terminal board and identified, making it easy to field wire the unit
- Cabinet design features access panels on each end for easy access to electrical and refrigeration components
- Fan panel is lightweight and can easily be lowered for easy servicing and installation
- Expansion valve mounts inside the cabinet

Reliable & Durable

- Heavy gauge grained aluminum cabinet cleans easily and looks attractive
- Stainless steel screws prevent rust streaks
- Wire fan guards with PVC coating for durability
- Sweat connections to reduce potential for leaks
- Coils are dehydrated and sealed at the factory
- Double drain pan eliminates drain pan sweating
- Motor rail is design for maximum strength and durability

Performance

- Internally enhanced tubing and fin design for higher efficiency
- Electric defrost models incorporate high quality tubular heaters and a standard fixed defrost termination thermostat
- Hot gas defrost models come with a shipped-loose adjustable fan delay and defrost termination thermostat
- Motors are life lubricated and thermal overload protected

Versatile

- Low height makes it ideal for low ceiling coolers - larger models are only 15 inches tall, allowing for maximum headroom and more product storage
- Unit designed to be mounted flush against the ceiling or suspended on rods

Nomenclature

HWA	100	A	C
Model Series	Capacity	Electrical Code	Vintage
HWA = Low Velocity Center Mount, air defrost	# x 100 = BTUH	A = 115/1/60	
HWE = Low Velocity Center Mount, electric defrost		B = 208-230/1/60	
HWG = Low Velocity Center Mount, hot gas defrost		AH = 115/1/60 (PSC)	
		BH = 208-230/1/60 (PSC)	
		AE = 115/1/60 (EC)	
		BE = 208-230/1/60 (EC)	
		S = Configurable	

Low Velocity Center Mount

Air Defrost Models & Options

When Do You Choose a Configurable Model?

- Choose when there is not a standard model listed or you want to add factory-installed options.
- When ordering a configurable model, remember to specify the voltage and fan motor type.

Section 1

Chandler Standard Model	Chandler Configurable Model	List Price (\$US)	Factory-Installed Options List Price Adders (\$US)							
			Electrical Options		Mechanical Options			Coil Options		
			Beacon II Assembly	Room TSTAT	TXV	TXV & LLSV	QCF, TXV, & LLSV	ElectroFin Coil	Polyester Fin Protection	Bronz-Glow
Air Defrost Models with EC Motors - 115/1/60										
HWA050AEC	HWA050SC	3,725	1,399	291	523	809	1,401	Call Factory	1,000	Call Factory
HWA075AEC	HWA075SC	4,281	1,399	291	523	809	1,401	Call Factory	1,000	Call Factory
HWA100AEC	HWA100SC	5,411	1,399	291	523	809	1,401	Call Factory	1,474	Call Factory
HWA130AEC	HWA130SC	6,237	1,399	291	523	809	1,401	Call Factory	1,474	Call Factory
HWA155AEC	HWA155SC	6,919	1,399	291	523	809	1,401	Call Factory	1,474	Call Factory
HWA180AEC	HWA180SC	8,593	1,399	291	523	809	1,401	Call Factory	2,010	Call Factory
HWA210AEC	HWA210SC	9,865	1,399	291	523	809	-	Call Factory	2,341	Call Factory
HWA270AEC	HWA270SC	10,723	1,399	291	523	809	-	Call Factory	2,341	Call Factory
HWA340AEC	HWA340SC	13,725	1,399	291	858	1,241	-	Call Factory	3,177	Call Factory
Air Defrost Models with EC Motors - 208-230/1/60										
HWA050BEC	HWA050SC	3,912	1,399	291	523	809	1,401	Call Factory	1,000	Call Factory
HWA075BEC	HWA075SC	4,502	1,399	291	523	809	1,401	Call Factory	1,000	Call Factory
HWA100BEC	HWA100SC	5,665	1,399	291	523	809	1,401	Call Factory	1,474	Call Factory
HWA130BEC	HWA130SC	6,546	1,399	291	523	809	1,401	Call Factory	1,474	Call Factory
HWA155BEC	HWA155SC	7,266	1,399	291	523	809	1,401	Call Factory	1,474	Call Factory
HWA180BEC	HWA180SC	9,006	1,399	291	523	809	1,401	Call Factory	2,010	Call Factory
HWA210BEC	HWA210SC	10,324	1,399	291	523	809	-	Call Factory	2,341	Call Factory
HWA270BEC	HWA270SC	11,230	1,399	291	523	809	-	Call Factory	2,341	Call Factory
HWA340BEC	HWA340SC	14,377	1,399	291	858	1,241	-	Call Factory	3,177	Call Factory
Air Defrost Models with PSC Motors - 115/1/60										
HWA050AC	HWA050SC	3,162	1,399	291	523	809	1,401	Call Factory	1,000	Call Factory
HWA075AC	HWA075SC	3,718	1,399	291	523	809	1,401	Call Factory	1,000	Call Factory
HWA130AC	HWA130SC	5,111	1,399	291	523	809	1,401	Call Factory	1,474	Call Factory
HWA100AC	HWA100SC	4,285	1,399	291	523	809	1,401	Call Factory	1,474	Call Factory
HWA155AC	HWA155SC	5,793	1,399	291	523	809	1,401	Call Factory	1,474	Call Factory
HWA180AC	HWA180SC	6,904	1,399	291	523	809	1,401	Call Factory	2,010	Call Factory
HWA210AC	HWA210SC	7,612	1,399	291	523	809	-	Call Factory	2,341	Call Factory
HWA270AC	HWA270SC	8,470	1,399	291	523	809	-	Call Factory	2,341	Call Factory
HWA340AC	HWA340SC	10,909	1,399	291	858	1,241	-	Call Factory	3,177	Call Factory

Federal Regulation Requires EC Motors!

Energy Independence and Security Act of 2007 (H.R. 6)

Walk-Ins manufactured on or after 01/01/2009 and under 3,000 square feet in area with single phase evaporator fan motors less than 1 HP and less than 460V must be EC motors.

Notes:

- Beacon II must be ordered as a system.
- TXV = Expansion Valve; LLSV = Liquid Line Solenoid Valve; QCF = Quick Connect Fittings.
- 460V Fan Motors, Stainless Steel Cabinet & Pan, and Copper Fin Coils are available. Contact your Sales Representative or Account Engineer for more information.

Low Velocity Center Mount

Air Defrost Models & Options

When Do You Choose a Configurable Model?

- Choose when there is not a standard model listed or you want to add factory-installed options.
- When ordering a configurable model, remember to specify the voltage and fan motor type.

Chandler Standard Model	Chandler Configurable Model	List Price (\$US)	Factory-Installed Options List Price Adders (\$US)							
			Electrical Options		Mechanical Options			Coil Options		
			Beacon II Assembly	Room TSTAT	TXV	TXV & LLSV	QCF, TXV, & LLSV	ElectroFin Coil	Polyester Fin Protection	Bronz-Glow
Air Defrost Models with PSC Motors - 208-230/1/60										
HWA050BC	HWA050SC	3,349	1,399	291	523	809	1,401	Call Factory	1,000	Call Factory
HWA075BC	HWA075SC	3,939	1,399	291	523	809	1,401	Call Factory	1,000	Call Factory
HWA100BC	HWA100SC	4,539	1,399	291	523	809	1,401	Call Factory	1,474	Call Factory
HWA130BC	HWA130SC	5,420	1,399	291	523	809	1,401	Call Factory	1,474	Call Factory
HWA155BC	HWA155SC	6,140	1,399	291	523	809	1,401	Call Factory	1,474	Call Factory
HWA180BC	HWA180SC	7,317	1,399	291	523	809	1,401	Call Factory	2,010	Call Factory
HWA210BC	HWA210SC	8,071	1,399	291	523	809	-	Call Factory	2,341	Call Factory
HWA270BC	HWA270SC	8,977	1,399	291	523	809	-	Call Factory	2,341	Call Factory
HWA340BC	HWA340SC	11,561	1,399	291	858	1,241	-	Call Factory	3,177	Call Factory

Federal Regulation Requires EC Motors!

Energy Independence and Security Act of 2007 (H.R. 6)

Walk-Ins manufactured on or after 01/01/2009 and under 3,000 square feet in area with single phase evaporator fan motors less than 1 HP and less than 460V must be EC motors.

Notes:

- Beacon II must be ordered as a system.
- TXV = Expansion Valve; LLSV = Liquid Line Solenoid Valve; QCF = Quick Connect Fittings.
- 460V Fan Motors, Stainless Steel Cabinet & Pan, and Copper Fin Coils are available. Contact your Sales Representative or Account Engineer for more information.

Low Velocity Center Mount

Electric Defrost Models & Options

When Do You Choose a Configurable Model?

- Choose when there is not a standard model listed or you want to add factory-installed options.
- When ordering a configurable model, remember to specify the voltage and fan motor type.

Section 1

Chandler Standard Model	Chandler Configurable Model	List Price (\$US)	Factory-Installed Options List Price Adders (\$US)						
			Electrical Options			Mechanical Options			Coil Options
			Beacon II Assembly	Adj. Defrost Term. / Fan Delay	Room TSTAT	TXV	TXV & LLSV	QCF, TXV, & LLSV	Bronz-Glow
Electric Defrost Models with EC Motors - 208-230/1/60									
HWE050BEC	HWE050SC	4,320	1,399	485	291	523	809	1,401	Call Factory
HWE075BEC	HWE075SC	4,980	1,399	485	291	523	809	1,401	Call Factory
HWE100BEC	HWE100SC	6,225	1,399	485	291	523	809	1,401	Call Factory
HWE130BEC	HWE130SC	7,207	1,399	485	291	523	809	1,401	Call Factory
HWE155BEC	HWE155SC	8,020	1,399	485	291	523	809	1,401	Call Factory
HWE180BEC	HWE180SC	9,901	1,399	485	291	523	809	1,401	Call Factory
HWE210BEC	HWE210SC	11,311	1,399	485	291	523	809	-	Call Factory
HWE270BEC	HWE270SC	12,329	1,399	485	291	523	809	-	Call Factory
HWE340BEC	HWE340SC	15,797	1,399	485	291	858	1,241	-	Call Factory
Electric Defrost Models with PSC Motors - 208-230/1/60									
HWE050BC	HWE050SC	3,757	1,399	485	291	523	809	1,401	Call Factory
HWE075BC	HWE075SC	4,417	1,399	485	291	523	809	1,401	Call Factory
HWE100BC	HWE100SC	5,099	1,399	485	291	523	809	1,401	Call Factory
HWE130BC	HWE130SC	6,081	1,399	485	291	523	809	1,401	Call Factory
HWE155BC	HWE155SC	6,894	1,399	485	291	523	809	1,401	Call Factory
HWE180BC	HWE180SC	8,212	1,399	485	291	523	809	1,401	Call Factory
HWE210BC	HWE210SC	9,058	1,399	485	291	523	809	-	Call Factory
HWE270BC	HWE270SC	10,076	1,399	485	291	523	809	-	Call Factory
HWE340BC	HWE340SC	12,981	1,399	485	291	858	1,241	-	Call Factory

Federal Regulation Requires EC Motors! Energy Independence and Security Act of 2007 (H.R. 6)

Walk-Ins manufactured on or after 01/01/2009 and under 3,000 square feet in area with single phase evaporator fan motors less than 1 HP and less than 460V must be EC motors.

Notes:

- Electric Drain Pan is standard.
- Beacon II must be ordered as a system.
- TXV = Expansion Valve; LLSV = Liquid Line Solenoid Valve; QCF = Quick Connect Fittings.
- 460V Fan Motors, Stainless Steel Cabinet & Pan, and Copper Fin Coils are available. Contact your Sales Representative or Account Engineer for more information.

Low Velocity Center Mount

Hot Gas Defrost Models & Options

When Do You Choose a Configurable Model?

- Choose when there is not a standard model listed or you want to add factory-installed options.
- When ordering a configurable model, remember to specify the voltage and fan motor type.

Chandler Standard Model	Chandler Configurable Model	List Price (\$US)	Factory-Installed Options List Price Adders (\$US)			
			Mechanical Options		Coil Options	
			TXV	TXV & LLSV	ElectroFin Coil	Bronz-Glow
Hot Gas Defrost Models with EC Motors - 115/1/60						
-	HWG100SC	5,687	523	809	Call Factory	Call Factory
-	HWG130SC	7,055	523	809	Call Factory	Call Factory
-	HWG155SC	7,846	523	809	Call Factory	Call Factory
-	HWG180SC	9,695	523	809	Call Factory	Call Factory
-	HWG210SC	11,086	523	809	Call Factory	Call Factory
-	HWG270SC	12,077	523	809	Call Factory	Call Factory
-	HWG340SC	15,471	858	1,241	Call Factory	Call Factory
Hot Gas Defrost Models with EC Motors - 208-230/1/60						
-	HWG100SC	5,961	523	809	Call Factory	Call Factory
-	HWG130SC	7,410	523	809	Call Factory	Call Factory
-	HWG155SC	8,251	523	809	Call Factory	Call Factory
-	HWG180SC	10,177	523	809	Call Factory	Call Factory
-	HWG210SC	11,611	523	809	Call Factory	Call Factory
-	HWG270SC	12,666	523	809	Call Factory	Call Factory
-	HWG340SC	16,228	858	1,241	Call Factory	Call Factory
Hot Gas Defrost Models with PSC Motors - 115/1/60						
-	HWG100SC	4,561	523	809	Call Factory	Call Factory
-	HWG130SC	5,929	523	809	Call Factory	Call Factory
-	HWG155SC	6,720	523	809	Call Factory	Call Factory
-	HWG180SC	8,006	523	809	Call Factory	Call Factory
-	HWG210SC	8,833	523	809	Call Factory	Call Factory
-	HWG270SC	9,824	523	809	Call Factory	Call Factory
-	HWG340SC	12,655	858	1,241	Call Factory	Call Factory
Hot Gas Defrost Models with PSC Motors - 208-230/1/60						
-	HWG100SC	4,835	523	809	Call Factory	Call Factory
-	HWG130SC	6,284	523	809	Call Factory	Call Factory
-	HWG155SC	7,125	523	809	Call Factory	Call Factory
-	HWG180SC	8,488	523	809	Call Factory	Call Factory
-	HWG210SC	9,358	523	809	Call Factory	Call Factory
-	HWG270SC	10,413	523	809	Call Factory	Call Factory
-	HWG340SC	13,412	858	1,241	Call Factory	Call Factory

Need a Reverse Cycle Kit?

Look on page 44 for the available kits in the Shipped-Loose Accessories.

Federal Regulation Requires EC Motors! Energy Independence and Security Act of 2007 (H.R. 6)

Walk-Ins manufactured on or after 01/01/2009 and under 3,000 square feet in area with single phase evaporator fan motors less than 1 HP and less than 460V must be EC motors.

Notes:

- Electric Drain Pan is standard. Hot gas loop not available.
- Adjustable Defrost Term. / Fan Delay is standard.
- TXV = Expansion Valve; LLSV = Liquid Line Solenoid Valve.
- 460V Fan Motors, Stainless Steel Cabinet & Pan, and Copper Fin Coils are available. Contact your Sales Representative or Account Engineer for more information.

Low Velocity Center Mount

Shipped-Loose Accessories

Can't Find Something or need help selecting the appropriate accessory for your unit? Please contact your local Sales Representative or Account Engineer for assistance.

Part Number	Description	List Price (\$US)	Notes
Room Thermostats			
2891040	Room Thermostat	264	-
28963101	Electronic Room Thermostat	334	-
Defrost Controls			
4267W	Adjustable Defrost Control / Fan Delay Switch	247	-
21340101	Electric Defrost Timer (60 Hz)	309	-
5505-R	30-Amp Contactor	331	Use as fan or heater contactor
Check Valves			
5890C	7/8" Suction Line Check Valve	186	-
5889C	1 1/8" Suction Line Check Valve	362	-
2933022	1 3/8" Suction Line Check Valve	746	-
Drain Line Heaters			
5508Q	6 ft. Drain Line heater (208-230V, 42 Watts)	134	-
5594P	12 ft. Drain Line heater (208-230V, 84 Watts)	146	-
5595P	18 ft. Drain Line heater (208-230V, 126 Watts)	173	-
5596P	36 ft. Drain Line heater (208-230V, 252 Watts)	265	-
5597P	60 ft. Drain Line heater (208-230V, 420 Watts)	489	-
Heat Exchangers			
24200004	Heat Exchanger used on 050 Electric Defrost Models	219	3/8" Liquid Connection OD, 5/8" Suction Connection OD, 14" Length, 2lbs Approx. Ship Wt.
24200005	Heat Exchanger used on 075 - 100 Electric & Hot Gas Defrost Models	240	3/8" Liquid Connection OD, 7/8" Suction Connection OD, 14" Length, 2lbs Approx. Ship Wt.
24200006	Heat Exchanger used on 130 - 155 Electric & Hot Gas Defrost Models	259	1/2" Liquid Connection OD, 7/8" Suction Connection OD, 11" Length, 2lbs Approx. Ship Wt.
24200007	Heat Exchanger used on 180 - 270 Electric & Hot Gas Defrost Models	281	1/2" Liquid Connection OD, 1-1/8" Suction Connection OD, 14" Length, 2lbs Approx. Ship Wt.
24200008	Heat Exchanger used on 340 Electric & Hot Gas Defrost Models	471	5/8" Liquid Connection OD, 1-3/8" Suction Connection OD, 14" Length, 3lbs Approx. Ship Wt.

Expansion Valves (TXV)

When placing order, please specify refrigerant type, saturated suction temperature (SST), liquid temperature, and room temperature.

Part Number	List Price (\$US)	Capacity Range (BTUH)
TXV024	307	24,000 BTUH and under
TXV036	307	24,000 BTUH to 36,000 BTUH
TXV060	497	36,000 BTUH to 60,000 BTUH
TXV120	631	60,000 BTUH to 120,000 BTUH

Liquid-line Solenoid Valves (LLSV)

Part Number	List Price (\$US)	Size	Capacity Range (R-404A)
			Medium Temperature Application (BTUH)
29318013	293	3/8	12,000 BTUH and under
4502Z	293	3/8	12,000 BTUH to 24,000 BTUH
29318011	316	3/8	24,000 BTUH to 44,000 BTUH
29318012	316	1/2	36,000 BTUH to 51,000 BTUH
5766Y	316	1/2	51,000 BTUH to 72,000 BTUH

Hot Gas Reverse Cycle Kits (Hot Gas Models Only)

- Electric pan is standard on all hot gas models. Hot gas loop not available.
- Kits includes one check valve and piping for liquid bypass around expansion valve and instructions for field installation.

Chandler Models Used On	TXV Bypass Kits		List Price (\$US)
	Type SQE, SBF, or HFESC	Type S	
	Part Number	Part Number	
HWG100	89897801	89898001	380
HWG130 - HWG270	89897802	89898002	380
HWG340	89897803	89898003	380

Section 1

Center Mount

Overview



Product Description

Center mount unit coolers, available in air or electric defrost, are ideal for tight storage situations because they are ceiling mount and have a height of only 8 - 5/8" allowing for maximum headroom in a cooler or freezer. The center mount design allows for product to be stacked all around while air flow distributes evenly throughout the box. Opting for EC motors or the Beacon II™ Refrigeration System makes this product qualified to be included in the **E Solutions™** product portfolio because of increased energy efficiency and cost savings.

Certifications



Standard Features

Ease of Installation & Service

- Panels on ends quickly remove for complete access to refrigerant components and electrical terminal block during installation and servicing
- Tapered mounting provides proper slope for condensate drainage to one end of the unit

Reliable & Durable

- Heavy-gauge grained aluminum cabinet cleans easily and looks attractive
- Stainless steel screws prevent rust streaks
- Wire fan guards with PVC coating for durability
- Coils are dehydrated and sealed at the factory
- Double drain pan eliminates drain pan sweating

Performance

- Quick disconnect, waterproof plug and receptacle for each motor in all models
- High-efficiency aluminum fins with full collars cover mechanically expanded copper tubes
- Highest quality tubular heaters provide fast and economical defrost
- Generous coil surface gives proper compressor balance
- Standard adjustable defrost termination fan delay thermostat
- Motors are life lubricated and thermal overload protected
- Air moves across the ceiling in both directions providing even air distribution throughout the cooler

Versatile

- Compact, ceiling mount and center mount design allows for shelving and storage of product around all walls

Nomenclature

TLH	052	A	E
Model Series	Capacity	Electrical Code	Vintage
TLH = Center Mount, air defrost TLL = Center Mount, electric defrost	# x 100 = BTUH	A = 115/1/60 B = 208-230/1/60 AE = 115/1/60 (EC) BE = 208-230/1/60 (EC) S = Configurable	

Center Mount

Air Defrost Models & Options

When Do You Choose a Configurable Model?

- Choose when there is not a standard model listed or you want to add factory-installed options.
- When ordering a configurable model, remember to specify the voltage and fan motor type.

Section 1

Chandler Standard Model	Chandler Configurable Model	List Price (\$US)	Factory Installed Options List Price Adders (\$US)								
			Electrical Options		Mechanical Options			Coil Options			
			Beacon II Assembly	Room TSTAT	TXV	TXV & LLSV	QCF, TXV, & LLSV	Coated Coil (Black)	ElectroFin Coil	Polyester Fin Protection	Bronz-Glow
Air Defrost Models with EC Motors - 115/1/60											
TLH052AEE	TLH052SE	2,577	1,399	291	523	809	1,401	627	Call Factory	585	Call Factory
TLH076AEE	TLH076SE	3,582	1,399	291	523	809	1,401	861	Call Factory	802	Call Factory
TLH090AEE	TLH090SE	3,897	1,399	291	523	809	1,401	861	Call Factory	802	Call Factory
TLH102AEE	TLH102SE	4,194	1,399	291	523	809	1,401	861	Call Factory	802	Call Factory
TLH108AEE	TLH108SE	4,883	1,399	291	523	809	1,401	Call Factory	Call Factory	1,138	Call Factory
TLH134AEE	TLH134SE	5,381	1,399	291	523	809	1,401	Call Factory	Call Factory	1,138	Call Factory
TLH156AEE	TLH156SE	5,844	1,399	291	523	809	1,401	Call Factory	Call Factory	1,138	Call Factory
TLH179AEE	TLH179SE	6,838	1,399	291	523	809	1,401	Call Factory	Call Factory	1,416	Call Factory
TLH208AEE	TLH208SE	7,400	1,399	291	523	809	1,401	Call Factory	Call Factory	1,416	Call Factory
TLH249AEE	TLH249SE	9,079	1,399	291	523	809	1,401	Call Factory	Call Factory	1,824	Call Factory
Air Defrost Models with EC Motors - 208-230/1/60											
TLH052BEE	TLH052SE	2,737	1,399	291	523	809	1,401	627	Call Factory	585	Call Factory
TLH076BEE	TLH076SE	3,774	1,399	291	523	809	1,401	861	Call Factory	802	Call Factory
TLH090BEE	TLH090SE	4,088	1,399	291	523	809	1,401	861	Call Factory	802	Call Factory
TLH102BEE	TLH102SE	4,389	1,399	291	523	809	1,401	861	Call Factory	802	Call Factory
TLH108BEE	TLH108SE	5,119	1,399	291	523	809	1,401	Call Factory	Call Factory	1,138	Call Factory
TLH134BEE	TLH134SE	5,607	1,399	291	523	809	1,401	Call Factory	Call Factory	1,138	Call Factory
TLH156BEE	TLH156SE	6,071	1,399	291	523	809	1,401	Call Factory	Call Factory	1,138	Call Factory
TLH179BEE	TLH179SE	7,101	1,399	291	523	809	1,401	Call Factory	Call Factory	1,416	Call Factory
TLH208BEE	TLH208SE	7,671	1,399	291	523	809	1,401	Call Factory	Call Factory	1,416	Call Factory
TLH249BEE	TLH249SE	9,377	1,399	291	523	809	1,401	Call Factory	Call Factory	1,824	Call Factory
Air Defrost Models with PSC Motors - 115/1/60											
TLH052AE	TLH052SE	2,014	1,399	291	523	809	1,401	627	Call Factory	585	Call Factory
TLH076AE	TLH076SE	2,456	1,399	291	523	809	1,401	861	Call Factory	802	Call Factory
TLH090AE	TLH090SE	2,771	1,399	291	523	809	1,401	861	Call Factory	802	Call Factory
TLH102AE	TLH102SE	3,068	1,399	291	523	809	1,401	861	Call Factory	802	Call Factory
TLH108AE	TLH108SE	3,194	1,399	291	523	809	1,401	Call Factory	Call Factory	1,138	Call Factory
TLH134AE	TLH134SE	3,692	1,399	291	523	809	1,401	Call Factory	Call Factory	1,138	Call Factory
TLH156AE	TLH156SE	4,155	1,399	291	523	809	1,401	Call Factory	Call Factory	1,138	Call Factory
TLH179AE	TLH179SE	4,586	1,399	291	523	809	1,401	Call Factory	Call Factory	1,416	Call Factory
TLH208AE	TLH208SE	5,148	1,399	291	523	809	1,401	Call Factory	Call Factory	1,416	Call Factory
TLH249AE	TLH249SE	6,264	1,399	291	523	809	1,401	Call Factory	Call Factory	1,824	Call Factory

Federal Regulation Requires EC Motors! Energy Independence and Security Act of 2007 (H.R. 6)

Walk-Ins manufactured on or after 01/01/2009 and under 3,000 square feet in area with single phase evaporator fan motors less than 1 HP and less than 460V must be EC motors.

Notes:

- Beacon II must be ordered as a system.
- TXV = Expansion Valve; LLSV = Liquid Line Solenoid Valve; QCF = Quick Connect Fittings.
- 460V Fan Motors, Stainless Steel Cabinet & Pan, and Copper Fin Coils are available. Contact your Sales Representative or Account Engineer for more information.

Center Mount

Air Defrost Models & Options

When Do You Choose a Configurable Model?

- Choose when there is not a standard model listed or you want to add factory-installed options.
- When ordering a configurable model, remember to specify the voltage and fan motor type.

Chandler Standard Model	Chandler Configurable Model	List Price (\$US)	Factory Installed Options List Price Adders (\$US)								
			Electrical Options		Mechanical Options			Coil Options			
			Beacon II Assembly	Room TSTAT	TXV	TXV & LLSV	QCF, TXV, & LLSV	Coated Coil (Black)	ElectroFin Coil	Polyester Fin Protection	Bronz-Glow
Air Defrost Models with PSC Motors - 208-230/1/60											
TLH052BE	TLH052SE	2,174	1,399	291	523	809	1,401	627	Call Factory	585	Call Factory
TLH076BE	TLH076SE	2,648	1,399	291	523	809	1,401	861	Call Factory	802	Call Factory
TLH090BE	TLH090SE	2,962	1,399	291	523	809	1,401	861	Call Factory	802	Call Factory
TLH102BE	TLH102SE	3,263	1,399	291	523	809	1,401	861	Call Factory	802	Call Factory
TLH108BE	TLH108SE	3,430	1,399	291	523	809	1,401	Call Factory	Call Factory	1,138	Call Factory
TLH134BE	TLH134SE	3,918	1,399	291	523	809	1,401	Call Factory	Call Factory	1,138	Call Factory
TLH156BE	TLH156SE	4,382	1,399	291	523	809	1,401	Call Factory	Call Factory	1,138	Call Factory
TLH179BE	TLH179SE	4,849	1,399	291	523	809	1,401	Call Factory	Call Factory	1,416	Call Factory
TLH208BE	TLH208SE	5,419	1,399	291	523	809	1,401	Call Factory	Call Factory	1,416	Call Factory
TLH249BE	TLH249SE	6,562	1,399	291	523	809	1,401	Call Factory	Call Factory	1,824	Call Factory

Federal Regulation Requires EC Motors! Energy Independence and Security Act of 2007 (H.R. 6)

Walk-Ins manufactured on or after 01/01/2009 and under 3,000 square feet in area with single phase evaporator fan motors less than 1 HP and less than 460V must be EC motors.

Notes:

- Beacon II must be ordered as a system.
- TXV = Expansion Valve; LLSV = Liquid Line Solenoid Valve; QCF = Quick Connect Fittings.
- 460V Fan Motors, Stainless Steel Cabinet & Pan, and Copper Fin Coils are available. Contact your Sales Representative or Account Engineer for more information.

Center Mount

Electric Defrost Models & Options

When Do You Choose a Configurable Model?

- Choose when there is not a standard model listed or you want to add factory-installed options.
- When ordering a configurable model, remember to specify the voltage and fan motor type.

Section 1

Chandler Standard Model	Chandler Configurable Model	List Price (\$US)	Factory-Installed Options List Price Adders (\$US)					
			Electrical Options		Mechanical Options			Coil Options
			Beacon II Assembly	Room TSTAT	TXV	TXV & LLSV	QCF, TXV, & LLSV	Bronz-Glow
Electric Defrost Models with EC Motors - 208-230/1/60								
TLL040BEE	TLL040SE	3,318	1,399	291	523	809	1,401	Call Factory
TLL054BEE	TLL054SE	4,610	1,399	291	523	809	1,401	Call Factory
TLL065BEE	TLL065SE	4,757	1,399	291	523	809	1,401	Call Factory
TLL090BEE	TLL090SE	6,084	1,399	291	523	809	1,401	Call Factory
TLL130BEE	TLL130SE	6,599	1,399	291	523	809	1,401	Call Factory
TLL174BEE	TLL174SE	8,578	1,399	291	523	809	1,401	Call Factory
Electric Defrost Models with PSC Motors - 208-230/1/60								
TLL040BE	TLL040SE	2,755	1,399	291	523	809	1,401	Call Factory
TLL054BE	TLL054SE	3,484	1,399	291	523	809	1,401	Call Factory
TLL065BE	TLL065SE	3,631	1,399	291	523	809	1,401	Call Factory
TLL090BE	TLL090SE	4,395	1,399	291	523	809	1,401	Call Factory
TLL130BE	TLL130SE	4,910	1,399	291	523	809	1,401	Call Factory
TLL174BE	TLL174SE	6,326	1,399	291	523	809	1,401	Call Factory

Federal Regulation Requires EC Motors! Energy Independence and Security Act of 2007 (H.R. 6)

Walk-Ins manufactured on or after 01/01/2009 and under 3,000 square feet in area with single phase evaporator fan motors less than 1 HP and less than 460V must be EC motors.

Notes:

- Electric Drain Pan and Adjustable Defrost Term. / Fan Delay are standard.
- Beacon II must be ordered as a system.
- TXV = Expansion Valve; LLSV = Liquid Line Solenoid Valve; QCF = Quick Connect Fittings.
- 460V Fan Motors, Stainless Steel Cabinet & Pan, and Copper Fin Coils are available. Contact your Sales Representative or Account Engineer for more information.

Center Mount

Shipped-Loose Accessories

Can't Find Something or need help selecting the appropriate accessory for your unit? Please contact your local Sales Representative or Account Engineer for assistance.

Part Number	Description	List Price (\$US)	Notes
Room Thermostats			
2891040	Room Thermostats	264	-
28963101	Electronic Room Thermostat	334	-
Defrost Controls			
4267W	Adjustable Defrost Control / Fan Delay Switch	247	-
Check Valves			
5890C	7/8" Suction Line Check Valve	186	-
5889C	1 1/8" Suction Line Check Valve	362	-
Drain Line Heaters			
5508Q	6 ft. Drain Line heater (208-230V, 42 Watts)	134	-
5594P	12 ft. Drain Line heater (208-230V, 84 Watts)	146	-
5595P	18 ft. Drain Line heater (208-230V, 126 Watts)	173	-
5596P	36 ft. Drain Line heater (208-230V, 252 Watts)	265	-
5597P	60 ft. Drain Line heater (208-230V, 420 Watts)	489	-
Heat Exchangers			
24200004	Heat Exchanger used on 040 Electric Defrost Models	219	3/8" Liquid Connection OD, 5/8" Suction Connection OD, 14" Length, 2lbs Approx. Ship Wt.
24200005	Heat Exchanger used on 054 - 090 Electric Defrost Models	240	3/8" Liquid Connection OD, 7/8" Suction Connection OD, 14" Length, 2lbs Approx. Ship Wt.
24200007	Heat Exchanger used on 130-174 Electric Defrost Models	281	1/2" Liquid Connection OD, 1-1/8" Suction Connection OD, 14" Length, 2lbs Approx. Ship Wt.

Expansion Valves (TXV)

When placing order, please specify refrigerant type, saturated suction temperature (SST), liquid temperature, and room temperature.

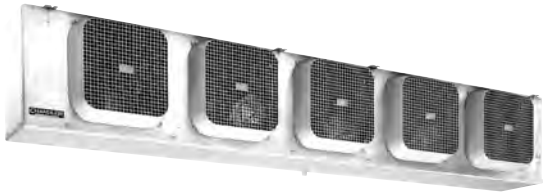
Part Number	List Price (\$US)	Capacity Range (BTUH)
TXV024	307	24,000 BTUH and under
TXV036	307	24,000 BTUH to 36,000 BTUH
TXV060	497	36,000 BTUH to 60,000 BTUH

Liquid-line Solenoid Valves (LLSV)

Part Number	List Price (\$US)	Size	Capacity Range (R-404A)	
			Medium Temperature Application (BTUH)	Low Temperature Application (BTUH)
29318013	293	3/8	12,000 BTUH and under	11,000 BTUH and under
4502Z	293	3/8	12,000 BTUH to 24,000 BTUH	11,000 BTUH to 21,000 BTUH
29318011	316	3/8	24,000 BTUH to 44,000 BTUH	21,000 BTUH to 38,000 BTUH

Medium Profile

Overview



Product Description

Medium profile unit coolers, available in air, electric, and hot gas defrost, are ideal for numerous commercial and industrial applications. With a modular design that is only 25 inches high, these units provide superior quality and a long, dependable life for many different applications. Opting for EC motors or the Beacon II™ Refrigeration System makes this product qualified to be included in the **E Solutions™** product portfolio because of increased energy efficiency and cost savings.

Certifications



Standard Features

Ease of Installation & Service

- All electrical components factory wired to terminal board and identified, making it easy to field wire the unit
- Schrader valve provided for suction pressure measurement
- Liquid line solenoid wire harness is factory-installed for quick installation
- Coil heater slots have been enlarged for easier installation and replacement
- Heaters are coil face mounted for easy access
- Front hinged drain pan for easy access
- Motors plug into wiring harness for easier servicing

Reliable & Durable

- Heavy gauge textured aluminum cabinet
- Sweat connections to reduce potential for leaks
- Patented Thermo-Flex™ coil design allows the coil to “flex” during periods of defrost resulting in expansion of the coil surface comes with a 5-year warranty
- Heavy plastic molded fan guards for extended air throw
- Reliable nickel steel alloy defrost heater elements
- Thermally protected, lifetime-lubricated single phase PSC motors

Performance

- External equalizer connection
- Internal panels are isolated for quiet operation
- Electric defrost models have fixed defrost termination / fan delay and heater limit thermostats
- PSC motors

Versatile

- Large diameter drain fitting (3/4" ID)
- Beacon II™ compatible
- Different motor and voltage options available

Nomenclature

HM	A	130	B	A
Model Series	Model Type	Capacity	Electrical Code	Vintage
Chandler Medium Profile Unit Coolers	A = Air Defrost, 7 FPI E = Electric Defrost, 6 FPI L = Electric Defrost, 4.5 FPI G = Hot Gas Defrost, 6 FPI F = Hot gas Defrost, 4.5 FPI	# x 100 = BTUH	A = 115/1/60 B = 208-230/1/60 C = 208-230/3/60 D = 460/3/60 M = 460/1/60 N = 110/1/50 Q = 220/1/50 R = 380/1/50 V = 380/3/50 AE = 115/1/60 (EC) BE = 208-230/1/60 (EC) CE = 208-230/3/60 (EC) S = Configurable	

Section 1

Medium Profile

Air Defrost Models & Options

When Do You Choose a Configurable Model?

- Choose when there is not a standard model listed or you want to add factory-installed options.
- When ordering a configurable model, remember to specify the voltage and fan motor type.

Chandler Standard Model	Chandler Configurable Model	List Price (\$US)	Factory-Installed Options List Price Adders (\$US)							
			Electrical Options		Mechanical Options		Coil Options			
			Beacon II Assembly	Room TSTAT	TXV	TXV & LLSV	Coated Coil (Black)	ElectroFin Coil	Polyester Fin Protection	Bronz-Glow
Air Defrost Models with VSEC Motors - 115/1/60										
-	HMA130SA	4,453	2,220	291	552	840	1,221	Call Factory	1,104	Call Factory
-	HMA155SA	5,112	2,220	291	552	840	1,221	Call Factory	1,104	Call Factory
-	HMA245SA	7,734	2,220	291	552	840	Call Factory	Call Factory	1,164	Call Factory
-	HMA300SA	9,401	2,220	291	552	840	Call Factory	Call Factory	1,164	Call Factory
-	HMA365SA	12,030	2,220	291	741	1,190	Call Factory	Call Factory	1,227	Call Factory
-	HMA450SA	13,909	2,220	291	741	1,190	Call Factory	Call Factory	1,227	Call Factory
-	HMA510SA	16,610	2,220	291	741	1,190	Call Factory	Call Factory	1,282	Call Factory
-	HMA600SA	17,428	2,220	291	741	1,190	Call Factory	Call Factory	1,282	Call Factory
Air Defrost Models with VSEC Motors - 208-230/1/60										
-	HMA130SA	4,518	2,220	291	552	840	1,221	Call Factory	1,104	Call Factory
-	HMA155SA	5,171	2,220	291	552	840	1,221	Call Factory	1,104	Call Factory
-	HMA245SA	7,857	2,220	291	552	840	Call Factory	Call Factory	1,164	Call Factory
-	HMA300SA	9,525	2,220	291	552	840	Call Factory	Call Factory	1,164	Call Factory
-	HMA365SA	12,221	2,220	291	741	1,190	Call Factory	Call Factory	1,227	Call Factory
-	HMA450SA	14,101	2,220	291	741	1,190	Call Factory	Call Factory	1,227	Call Factory
-	HMA510SA	16,859	2,220	291	741	1,190	Call Factory	Call Factory	1,282	Call Factory
-	HMA600SA	17,681	2,220	291	741	1,190	Call Factory	Call Factory	1,282	Call Factory
-	HMA710SA	20,456	2,220	291	1,074	1,649	Call Factory	Call Factory	1,315	Call Factory
Air Defrost Models with EC Motors - 115/1/60										
-	HMA130SA	4,329	2,220	291	552	840	1,221	Call Factory	1,104	Call Factory
-	HMA155SA	4,988	2,220	291	552	840	1,221	Call Factory	1,104	Call Factory
-	HMA245SA	7,486	2,220	291	552	840	Call Factory	Call Factory	1,164	Call Factory
-	HMA300SA	9,153	2,220	291	552	840	Call Factory	Call Factory	1,164	Call Factory
-	HMA365SA	11,658	2,220	291	741	1,190	Call Factory	Call Factory	1,227	Call Factory
-	HMA450SA	13,537	2,220	291	741	1,190	Call Factory	Call Factory	1,227	Call Factory
-	HMA510SA	16,114	2,220	291	741	1,190	Call Factory	Call Factory	1,282	Call Factory
-	HMA600SA	16,932	2,220	291	741	1,190	Call Factory	Call Factory	1,282	Call Factory

Regulations Require EC or VSEC Motors!

Federal Energy Independence and Security Act of 2007 (H.R. 6)

Walk-Ins manufactured on or after 01/01/2009 and under 3,000 square feet in area with single phase evaporator fan motors less than 1 HP and less than 460V must be EC motors.

California Energy Commission Title 24, Section 126

Effective 01/01/2010, refrigerated warehouses with a total cold storage and frozen storage area exceeding 3,000 square feet with single phase evaporator fan motors less than 1 HP and less than 460V must be variable speed EC motors and controlled in response to space conditions.

Notes:

- Beacon II must be ordered as a system.
- Variable Speed EC (VSEC) motors require a customer supplied 0-10V signal.
- TXV = Expansion Valve; LLSV = Liquid Line Solenoid Valve
- Molded fan guards are standard and ring fan guards optional at no additional cost.
- Double Wall Insulated Pans, Stainless Steel Cabinet & Pan, and Copper Fin Coils are available. Contact your Sales Representative or Account Engineer for more information.

Medium Profile

Air Defrost Models & Options

When Do You Choose a Configurable Model?

- Choose when there is not a standard model listed or you want to add factory-installed options.
- When ordering a configurable model, remember to specify the voltage and fan motor type.

Section 1

Chandler Standard Model	Chandler Configurable Model	List Price (\$US)	Factory-Installed Options List Price Adders (\$US)							
			Electrical Options		Mechanical Options		Coil Options			
			Beacon II Assembly	Room TSTAT	TXV	TXV & LLSV	Coated Coil (Black)	ElectroFin Coil	Polyester Fin Protection	Bronz-Glow
Air Defrost Models with EC Motors - 208-230/1/60										
-	HMA130SA	4,394	2,220	291	552	840	1,221	Call Factory	1,104	Call Factory
-	HMA155SA	5,047	2,220	291	552	840	1,221	Call Factory	1,104	Call Factory
-	HMA245SA	7,609	2,220	291	552	840	Call Factory	Call Factory	1,164	Call Factory
-	HMA300SA	9,277	2,220	291	552	840	Call Factory	Call Factory	1,164	Call Factory
-	HMA365SA	11,849	2,220	291	741	1,190	Call Factory	Call Factory	1,227	Call Factory
-	HMA450SA	13,729	2,220	291	741	1,190	Call Factory	Call Factory	1,227	Call Factory
-	HMA510SA	16,363	2,220	291	741	1,190	Call Factory	Call Factory	1,282	Call Factory
-	HMA600SA	17,185	2,220	291	741	1,190	Call Factory	Call Factory	1,282	Call Factory
-	HMA710SA	19,836	2,220	291	1,074	1,649	Call Factory	Call Factory	1,315	Call Factory
Air Defrost Models with PSC Motors - 115/1/60										
HMA130AA	HMA130SA	3,579	2,220	291	552	840	1,221	Call Factory	1,104	Call Factory
HMA155AA	HMA155SA	4,238	2,220	291	552	840	1,221	Call Factory	1,104	Call Factory
HMA245AA	HMA245SA	5,986	2,220	291	552	840	Call Factory	Call Factory	1,164	Call Factory
HMA300AA	HMA300SA	7,653	2,220	291	552	840	Call Factory	Call Factory	1,164	Call Factory
HMA365AA	HMA365SA	9,408	2,220	291	741	1,190	Call Factory	Call Factory	1,227	Call Factory
HMA450AA	HMA450SA	11,287	2,220	291	741	1,190	Call Factory	Call Factory	1,227	Call Factory
HMA510AA	HMA510SA	13,114	2,220	291	741	1,190	Call Factory	Call Factory	1,282	Call Factory
HMA600AA	HMA600SA	13,932	2,220	291	741	1,190	Call Factory	Call Factory	1,282	Call Factory
Air Defrost Models with PSC Motors - 208-230/1/60										
HMA130BA	HMA130SA	3,644	2,220	291	552	840	1,221	Call Factory	1,104	Call Factory
HMA155BA	HMA155SA	4,297	2,220	291	552	840	1,221	Call Factory	1,104	Call Factory
HMA245BA	HMA245SA	6,109	2,220	291	552	840	Call Factory	Call Factory	1,164	Call Factory
HMA300BA	HMA300SA	7,777	2,220	291	552	840	Call Factory	Call Factory	1,164	Call Factory
HMA365BA	HMA365SA	9,599	2,220	291	741	1,190	Call Factory	Call Factory	1,227	Call Factory
HMA450BA	HMA450SA	11,479	2,220	291	741	1,190	Call Factory	Call Factory	1,227	Call Factory
HMA510BA	HMA510SA	13,363	2,220	291	741	1,190	Call Factory	Call Factory	1,282	Call Factory
HMA600BA	HMA600SA	14,185	2,220	291	741	1,190	Call Factory	Call Factory	1,282	Call Factory
HMA710BA	HMA710SA	16,086	2,220	291	1,074	1,649	Call Factory	Call Factory	1,315	Call Factory

Regulations Require EC or VSEC Motors!

Federal Energy Independence and Security Act of 2007 (H.R. 6)

Walk-Ins manufactured on or after 01/01/2009 and under 3,000 square feet in area with single phase evaporator fan motors less than 1 HP and less than 460V must be EC motors.

California Energy Commission Title 24, Section 126

Effective 01/01/2010, refrigerated warehouses with a total cold storage and frozen storage area exceeding 3,000 square feet with single phase evaporator fan motors less than 1 HP and less than 460V must be variable speed EC motors and controlled in response to space conditions.

Notes:

- Beacon II must be ordered as a system.
- Variable Speed EC (VSEC) motors require a customer supplied 0-10V signal.
- TXV = Expansion Valve; LLSV = Liquid Line Solenoid Valve
- Molded fan guards are standard and ring fan guards optional at no additional cost.
- Double Wall Insulated Pans, Stainless Steel Cabinet & Pan, and Copper Fin Coils are available. Contact your Sales Representative or Account Engineer for more information.

Medium Profile

Air Defrost Models & Options

When Do You Choose a Configurable Model?

- Choose when there is not a standard model listed or you want to add factory-installed options.
- When ordering a configurable model, remember to specify the voltage and fan motor type.

Chandler Standard Model	Chandler Configurable Model	List Price (\$US)	Factory-Installed Options List Price Adders (\$US)							
			Electrical Options		Mechanical Options		Coil Options			
			Beacon II Assembly	Room TSTAT	TXV	TXV & LLSV	Coated Coil (Black)	ElectroFin Coil	Polyester Fin Protection	Bronz-Glow
Air Defrost Models with PSC Motors - 460/1/60										
HMA130MA	HMA130SA	3,830	2,220	291	552	840	1,221	Call Factory	1,104	Call Factory
HMA155MA	HMA155SA	4,485	2,220	291	552	840	1,221	Call Factory	1,104	Call Factory
HMA245MA	HMA245SA	6,482	2,220	291	552	840	Call Factory	Call Factory	1,164	Call Factory
HMA300MA	HMA300SA	8,148	2,220	291	552	840	Call Factory	Call Factory	1,164	Call Factory
HMA365MA	HMA365SA	10,151	2,220	291	741	1,190	Call Factory	Call Factory	1,227	Call Factory
HMA450MA	HMA450SA	12,033	2,220	291	741	1,190	Call Factory	Call Factory	1,227	Call Factory
HMA510MA	HMA510SA	14,102	2,220	291	741	1,190	Call Factory	Call Factory	1,282	Call Factory
HMA600MA	HMA600SA	14,924	2,220	291	741	1,190	Call Factory	Call Factory	1,282	Call Factory
HMA710MA	HMA710SA	17,010	2,220	291	1,074	1,649	Call Factory	Call Factory	1,315	Call Factory
Air Defrost Models with Totally-Enclosed PSC Motors - 208-230/1/60										
-	HMA130SA	3,888	2,220	291	552	840	1,221	Call Factory	1,104	Call Factory
-	HMA155SA	4,541	2,220	291	552	840	1,221	Call Factory	1,104	Call Factory
-	HMA245SA	6,597	2,220	291	552	840	Call Factory	Call Factory	1,164	Call Factory
-	HMA300SA	8,265	2,220	291	552	840	Call Factory	Call Factory	1,164	Call Factory
-	HMA365SA	10,331	2,220	291	741	1,190	Call Factory	Call Factory	1,227	Call Factory
-	HMA450SA	12,211	2,220	291	741	1,190	Call Factory	Call Factory	1,227	Call Factory
-	HMA510SA	14,339	2,220	291	741	1,190	Call Factory	Call Factory	1,282	Call Factory
-	HMA600SA	15,161	2,220	291	741	1,190	Call Factory	Call Factory	1,282	Call Factory
-	HMA710SA	17,306	2,220	291	1,074	1,649	Call Factory	Call Factory	1,315	Call Factory
Air Defrost Models with Totally-Enclosed PSC Motors - 460/1/60										
-	HMA130SA	4,074	2,220	291	552	840	1,221	Call Factory	1,104	Call Factory
-	HMA155SA	4,729	2,220	291	552	840	1,221	Call Factory	1,104	Call Factory
-	HMA245SA	6,970	2,220	291	552	840	Call Factory	Call Factory	1,164	Call Factory
-	HMA300SA	8,636	2,220	291	552	840	Call Factory	Call Factory	1,164	Call Factory
-	HMA365SA	10,883	2,220	291	741	1,190	Call Factory	Call Factory	1,227	Call Factory
-	HMA450SA	12,765	2,220	291	741	1,190	Call Factory	Call Factory	1,227	Call Factory
-	HMA510SA	15,078	2,220	291	741	1,190	Call Factory	Call Factory	1,282	Call Factory
-	HMA600SA	15,900	2,220	291	741	1,190	Call Factory	Call Factory	1,282	Call Factory
-	HMA710SA	18,230	2,220	291	1,074	1,649	Call Factory	Call Factory	1,315	Call Factory

Section 1

Regulations Require EC or VSEC Motors!

Federal Energy Independence and Security Act of 2007 (H.R. 6)

Walk-Ins manufactured on or after 01/01/2009 and under 3,000 square feet in area with single phase evaporator fan motors less than 1 HP and less than 460V must be EC motors.

California Energy Commission Title 24, Section 126

Effective 01/01/2010, refrigerated warehouses with a total cold storage and frozen storage area exceeding 3,000 square feet with single phase evaporator fan motors less than 1 HP and less than 460V must be variable speed EC motors and controlled in response to space conditions.

Notes:

- Beacon II must be ordered as a system.
- Variable Speed EC (VSEC) motors require a customer supplied 0-10V signal.
- TXV = Expansion Valve; LLSV = Liquid Line Solenoid Valve
- Molded fan guards are standard and ring fan guards optional at no additional cost.
- Double Wall Insulated Pans, Stainless Steel Cabinet & Pan, and Copper Fin Coils are available. Contact your Sales Representative or Account Engineer for more information.

Medium Profile

Electric Defrost Models & Options

When Do You Choose a Configurable Model?

- Choose when there is not a standard model listed or you want to add factory-installed options.
- When ordering a configurable model, remember to specify the voltage and fan motor type.

Section 1

Chandler Standard Model	Chandler Configurable Model	FPI	List Price (\$US)	Factory-Installed Options List Price Adders (\$US)						
				Electrical Options		Drain Pan Options		Mechanical Options		Coil Options
				Beacon II Assembly	Room TSTAT	Electric	Double Wall Insulated	TXV	TXV & LLSV	Bronz-Glow
Electric Defrost Models with VSEC Motors -208-230/1/60										
-	HME101SB	6	5,226	2,220	291	Standard	Call Factory	552	840	Call Factory
-	HME140SB	6	6,028	2,220	291	Standard	Call Factory	552	840	Call Factory
-	HME190SB	6	8,683	2,220	291	Standard	Call Factory	552	840	Call Factory
-	HME260SB	6	11,262	2,220	291	Standard	Call Factory	552	840	Call Factory
-	HME310SB	6	12,903	2,220	291	Standard	Call Factory	741	1,190	Call Factory
-	HME390SB	6	15,234	2,220	291	Standard	Call Factory	741	1,190	Call Factory
-	HML100SB	4.5	5,393	2,220	291	Standard	Call Factory	552	840	Call Factory
-	HML165SB	4.5	7,993	2,220	291	Standard	Call Factory	552	840	Call Factory
-	HML220SB	4.5	10,310	2,220	291	Standard	Call Factory	552	840	Call Factory
-	HML250SB	4.5	11,761	2,220	291	Standard	Call Factory	741	1,190	Call Factory
-	HML330SB	4.5	14,729	2,220	291	Standard	Call Factory	741	1,190	Call Factory
Electric Defrost Models with EC Motors - 208-230/1/60										
-	HME101SB	6	5,102	2,220	291	Standard	Call Factory	552	840	Call Factory
-	HME140SB	6	5,904	2,220	291	Standard	Call Factory	552	840	Call Factory
-	HME190SB	6	8,435	2,220	291	Standard	Call Factory	552	840	Call Factory
-	HME260SB	6	11,014	2,220	291	Standard	Call Factory	552	840	Call Factory
-	HME310SB	6	12,531	2,220	291	Standard	Call Factory	741	1,190	Call Factory
-	HME390SB	6	14,862	2,220	291	Standard	Call Factory	741	1,190	Call Factory
-	HML100SB	4.5	5,269	2,220	291	Standard	Call Factory	552	840	Call Factory
-	HML165SB	4.5	7,745	2,220	291	Standard	Call Factory	552	840	Call Factory
-	HML220SB	4.5	10,062	2,220	291	Standard	Call Factory	552	840	Call Factory
-	HML250SB	4.5	11,389	2,220	291	Standard	Call Factory	741	1,190	Call Factory
-	HML330SB	4.5	14,357	2,220	291	Standard	Call Factory	741	1,190	Call Factory
Electric Defrost Models with EC Motors - 208-230/3/60										
-	HME101SB	6	5,102	2,220	291	Standard	Call Factory	552	840	Call Factory
-	HME140SB	6	5,904	2,220	291	Standard	Call Factory	552	840	Call Factory
-	HME190SB	6	8,435	2,220	291	Standard	Call Factory	552	840	Call Factory
-	HME260SB	6	11,014	2,220	291	Standard	Call Factory	552	840	Call Factory
-	HME310SB	6	12,531	2,220	291	Standard	Call Factory	741	1,190	Call Factory

Regulations Require EC or VSEC Motors!

Federal Energy Independence and Security Act of 2007 (H.R. 6)

Walk-Ins manufactured on or after 01/01/2009 and under 3,000 square feet in area with single phase evaporator fan motors less than 1 HP and less than 460V must be EC motors.

California Energy Commission Title 24, Section 126

Effective 01/01/2010, refrigerated warehouses with a total cold storage and frozen storage area exceeding 3,000 square feet with single phase evaporator fan motors less than 1 HP and less than 460V must be variable speed EC motors and controlled in response to space conditions.

Notes:

- Adjustable Defrost Term/Fan Delay standard.
- Beacon II must be ordered as a system.
- Variable Speed EC (VSEC) motors require a customer supplied 0-10V signal.
- TXV = Expansion Valve; LLSV = Liquid Line Solenoid Valve
- Molded fan guards are standard and wire fan guards optional at no additional cost.
- Low Temp Motors, Stainless Steel Cabinet & Pan, and Copper Fin Coils are available. Contact your Sales Representative or Account Engineer for more information.

Medium Profile

Electric Defrost Models & Options

When Do You Choose a Configurable Model?

- Choose when there is not a standard model listed or you want to add factory-installed options.
- When ordering a configurable model, remember to specify the voltage and fan motor type.

Chandler Standard Model	Chandler Configurable Model	FPI	List Price (\$US)	Factory-Installed Options List Price Adders (\$US)						
				Electrical Options		Drain Pan Options		Mechanical Options		Coil Options
				Beacon II Assembly	Room TSTAT	Electric	Double Wall Insulated	TXV	TXV & LLSV	Bronz-Glow
-	HME390SB	6	14,862	2,220	291	Standard	Call Factory	741	1,190	Call Factory
-	HME430SB	6	16,720	2,220	291	Standard	Call Factory	741	1,190	Call Factory
-	HME520SB	6	18,562	2,220	291	Standard	Call Factory	741	1,190	Call Factory
-	HME620SB	6	20,474	2,220	291	Standard	Call Factory	1,074	1,649	Call Factory
-	HML100SB	4.5	5,269	2,220	291	Standard	Call Factory	552	840	Call Factory
-	HML165SB	4.5	7,745	2,220	291	Standard	Call Factory	552	840	Call Factory
-	HML220SB	4.5	10,062	2,220	291	Standard	Call Factory	552	840	Call Factory
-	HML250SB	4.5	11,389	2,220	291	Standard	Call Factory	741	1,190	Call Factory
-	HML330SB	4.5	14,357	2,220	291	Standard	Call Factory	741	1,190	Call Factory
-	HML370SB	4.5	16,172	2,220	291	Standard	Call Factory	741	1,190	Call Factory
-	HML440SB	4.5	17,905	2,220	291	Standard	Call Factory	741	1,190	Call Factory
-	HML530SB	4.5	19,807	2,220	291	Standard	Call Factory	1,074	1,649	Call Factory

Electric Defrost Models with PSC Motors - 208-230/1/60

HME101BB	HME101SB	6	4,352	2,220	291	Standard	Call Factory	552	840	Call Factory
HME140BB	HME140SB	6	5,154	2,220	291	Standard	Call Factory	552	840	Call Factory
HME190BB	HME190SB	6	6,935	2,220	291	Standard	Call Factory	552	840	Call Factory
HME260BB	HME260SB	6	9,514	2,220	291	Standard	Call Factory	552	840	Call Factory
HME310BB	HME310SB	6	10,281	2,220	291	Standard	Call Factory	741	1,190	Call Factory
HME390BB	HME390SB	6	12,612	2,220	291	Standard	Call Factory	741	1,190	Call Factory
HML100BB	HML100SB	4.5	4,519	2,220	291	Standard	Call Factory	552	840	Call Factory
HML165BB	HML165SB	4.5	6,245	2,220	291	Standard	Call Factory	552	840	Call Factory
HML220BB	HML220SB	4.5	8,562	2,220	291	Standard	Call Factory	552	840	Call Factory
HML250BB	HML250SB	4.5	9,139	2,220	291	Standard	Call Factory	741	1,190	Call Factory
HML330BB	HML330SB	4.5	12,107	2,220	291	Standard	Call Factory	741	1,190	Call Factory

Electric Defrost Models with PSC Motors - 208-230/3/60

HME101CB	HME101SB	6	4,352	2,220	291	Standard	Call Factory	552	840	Call Factory
HME140CB	HME140SB	6	5,154	2,220	291	Standard	Call Factory	552	840	Call Factory
HME190CB	HME190SB	6	6,935	2,220	291	Standard	Call Factory	552	840	Call Factory
HME260CB	HME260SB	6	9,514	2,220	291	Standard	Call Factory	552	840	Call Factory
HME310CB	HME310SB	6	10,281	2,220	291	Standard	Call Factory	741	1,190	Call Factory

Regulations Require EC or VSEC Motors!

Federal Energy Independence and Security Act of 2007 (H.R. 6)

Walk-Ins manufactured on or after 01/01/2009 and under 3,000 square feet in area with single phase evaporator fan motors less than 1 HP and less than 460V must be EC motors.

California Energy Commission Title 24, Section 126

Effective 01/01/2010, refrigerated warehouses with a total cold storage and frozen storage area exceeding 3,000 square feet with single phase evaporator fan motors less than 1 HP and less than 460V must be variable speed EC motors and controlled in response to space conditions.

Notes:

- Adjustable Defrost Term/Fan Delay standard.
- Beacon II must be ordered as a system.
- Variable Speed EC (VSEC) motors require a customer supplied 0-10V signal.
- TXV = Expansion Valve; LLSV = Liquid Line Solenoid Valve
- Molded fan guards are standard and wire fan guards optional at no additional cost.
- Low Temp Motors, Stainless Steel Cabinet & Pan, and Copper Fin Coils are available. Contact your Sales Representative or Account Engineer for more information.

Medium Profile

Electric Defrost Models & Options

When Do You Choose a Configurable Model?

- Choose when there is not a standard model listed or you want to add factory-installed options.
- When ordering a configurable model, remember to specify the voltage and fan motor type.

Chandler Standard Model	Chandler Configurable Model	FPI	List Price (\$US)	Factory-Installed Options List Price Adders (\$US)						
				Electrical Options		Drain Pan Options		Mechanical Options		Coil Options
				Beacon II Assembly	Room TSTAT	Electric	Double Wall Insulated	TXV	TXV & LLSV	Bronz-Glow
HME390CB	HME390SB	6	12,612	2,220	291	Standard	Call Factory	741	1,190	Call Factory
HME430CB	HME430SB	6	13,720	2,220	291	Standard	Call Factory	741	1,190	Call Factory
HME520CB	HME520SB	6	15,562	2,220	291	Standard	Call Factory	741	1,190	Call Factory
HME620CB	HME620SB	6	16,724	2,220	291	Standard	Call Factory	1,074	1,649	Call Factory
HML100CB	HML100SB	4.5	4,519	2,220	291	Standard	Call Factory	552	840	Call Factory
HML165CB	HML165SB	4.5	6,245	2,220	291	Standard	Call Factory	552	840	Call Factory
HML220CB	HML220SB	4.5	8,562	2,220	291	Standard	Call Factory	552	840	Call Factory
HML250CB	HML250SB	4.5	9,139	2,220	291	Standard	Call Factory	741	1,190	Call Factory
HML330CB	HML330SB	4.5	12,107	2,220	291	Standard	Call Factory	741	1,190	Call Factory
HML370CB	HML370SB	4.5	13,172	2,220	291	Standard	Call Factory	741	1,190	Call Factory
HML440CB	HML440SB	4.5	14,905	2,220	291	Standard	Call Factory	741	1,190	Call Factory
HML530CB	HML530SB	4.5	16,057	2,220	291	Standard	Call Factory	1,074	1,649	Call Factory

Electric Defrost Models with PSC Motors - 460/1/60

HME101MB	HME101SB	6	4,614	2,220	291	Standard	Call Factory	552	840	Call Factory
HME140MB	HME140SB	6	5,415	2,220	291	Standard	Call Factory	552	840	Call Factory
HME190MB	HME190SB	6	7,450	2,220	291	Standard	Call Factory	552	840	Call Factory
HME260MB	HME260SB	6	10,031	2,220	291	Standard	Call Factory	552	840	Call Factory
HME310MB	HME310SB	6	11,054	2,220	291	Standard	Call Factory	741	1,190	Call Factory
HME390MB	HME390SB	6	13,387	2,220	291	Standard	Call Factory	741	1,190	Call Factory
HME430MB	HME430SB	6	14,753	2,220	291	Standard	Call Factory	741	1,190	Call Factory
HME520MB	HME520SB	6	16,595	2,220	291	Standard	Call Factory	741	1,190	Call Factory
HME620MB	HME620SB	6	18,017	2,220	291	Standard	Call Factory	1,074	1,649	Call Factory
HML100MB	HML100SB	4.5	4,776	2,220	291	Standard	Call Factory	552	840	Call Factory
HML165MB	HML165SB	4.5	6,762	2,220	291	Standard	Call Factory	552	840	Call Factory
HML220MB	HML220SB	4.5	9,082	2,220	291	Standard	Call Factory	552	840	Call Factory
HML250MB	HML250SB	4.5	9,653	2,220	291	Standard	Call Factory	741	1,190	Call Factory
HML330MB	HML330SB	4.5	12,884	2,220	291	Standard	Call Factory	741	1,190	Call Factory
HML370MB	HML370SB	4.5	14,203	2,220	291	Standard	Call Factory	741	1,190	Call Factory
HML440MB	HML440SB	4.5	15,935	2,220	291	Standard	Call Factory	741	1,190	Call Factory
HML530MB	HML530SB	4.5	17,347	2,220	291	Standard	Call Factory	1,074	1,649	Call Factory

Regulations Require EC or VSEC Motors!

Federal Energy Independence and Security Act of 2007 (H.R. 6)

Walk-Ins manufactured on or after 01/01/2009 and under 3,000 square feet in area with single phase evaporator fan motors less than 1 HP and less than 460V must be EC motors.

California Energy Commission Title 24, Section 126

Effective 01/01/2010, refrigerated warehouses with a total cold storage and frozen storage area exceeding 3,000 square feet with single phase evaporator fan motors less than 1 HP and less than 460V must be variable speed EC motors and controlled in response to space conditions.

Notes:

- Adjustable Defrost Term/Fan Delay standard.
- Beacon II must be ordered as a system.
- Variable Speed EC (VSEC) motors require a customer supplied 0-10V signal.
- TXV = Expansion Valve; LLSV = Liquid Line Solenoid Valve
- Molded fan guards are standard and wire fan guards optional at no additional cost.
- Low Temp Motors, Stainless Steel Cabinet & Pan, and Copper Fin Coils are available. Contact your Sales Representative or Account Engineer for more information.

Medium Profile

Electric Defrost Models & Options

When Do You Choose a Configurable Model?

- Choose when there is not a standard model listed or you want to add factory-installed options.
- When ordering a configurable model, remember to specify the voltage and fan motor type.

Chandler Standard Model	Chandler Configurable Model	FPI	List Price (\$US)	Factory-Installed Options List Price Adders (\$US)						
				Electrical Options		Drain Pan Options		Mechanical Options		Coil Options
				Beacon II Assembly	Room TSTAT	Electric	Double Wall Insulated	TXV	TXV & LLSV	Bronz-Glow
Electric Defrost Models with PSC Motors - 460/3/60										
HME101DB	HME101SB	6	4,614	2,220	291	Standard	Call Factory	552	840	Call Factory
HME140DB	HME140SB	6	5,415	2,220	291	Standard	Call Factory	552	840	Call Factory
HME190DB	HME190SB	6	7,450	2,220	291	Standard	Call Factory	552	840	Call Factory
HME260DB	HME260SB	6	10,031	2,220	291	Standard	Call Factory	552	840	Call Factory
HME310DB	HME310SB	6	11,054	2,220	291	Standard	Call Factory	741	1,190	Call Factory
HME390DB	HME390SB	6	13,387	2,220	291	Standard	Call Factory	741	1,190	Call Factory
HME430DB	HME430SB	6	14,753	2,220	291	Standard	Call Factory	741	1,190	Call Factory
HME520DB	HME520SB	6	16,595	2,220	291	Standard	Call Factory	741	1,190	Call Factory
HME620DB	HME620SB	6	18,017	2,220	291	Standard	Call Factory	1,074	1,649	Call Factory
HML100DB	HML100SB	4.5	4,776	2,220	291	Standard	Call Factory	552	840	Call Factory
HML165DB	HML165SB	4.5	6,762	2,220	291	Standard	Call Factory	552	840	Call Factory
HML220DB	HML220SB	4.5	9,082	2,220	291	Standard	Call Factory	552	840	Call Factory
HML250DB	HML250SB	4.5	9,653	2,220	291	Standard	Call Factory	741	1,190	Call Factory
HML330DB	HML330SB	4.5	12,884	2,220	291	Standard	Call Factory	741	1,190	Call Factory
HML370DB	HML370SB	4.5	14,203	2,220	291	Standard	Call Factory	741	1,190	Call Factory
HML440DB	HML440SB	4.5	15,935	2,220	291	Standard	Call Factory	741	1,190	Call Factory
HML530DB	HML530SB	4.5	17,347	2,220	291	Standard	Call Factory	1,074	1,649	Call Factory
Electric Defrost Models with Totally-Enclosed PSC Motors - 208-230/1/60										
-	HME101SB	6	4,596	2,220	291	Standard	Call Factory	552	840	Call Factory
-	HME140SB	6	5,398	2,220	291	Standard	Call Factory	552	840	Call Factory
-	HME190SB	6	7,423	2,220	291	Standard	Call Factory	552	840	Call Factory
-	HME260SB	6	10,002	2,220	291	Standard	Call Factory	552	840	Call Factory
-	HME310SB	6	11,013	2,220	291	Standard	Call Factory	741	1,190	Call Factory
-	HME390SB	6	13,344	2,220	291	Standard	Call Factory	741	1,190	Call Factory
-	HML100SB	4.5	4,763	2,220	291	Standard	Call Factory	552	840	Call Factory
-	HML165SB	4.5	6,733	2,220	291	Standard	Call Factory	552	840	Call Factory
-	HML220SB	4.5	9,050	2,220	291	Standard	Call Factory	552	840	Call Factory
-	HML250SB	4.5	9,871	2,220	291	Standard	Call Factory	741	1,190	Call Factory
-	HML330SB	4.5	12,839	2,220	291	Standard	Call Factory	741	1,190	Call Factory

Regulations Require EC or VSEC Motors!

Federal Energy Independence and Security Act of 2007 (H.R. 6)

Walk-Ins manufactured on or after 01/01/2009 and under 3,000 square feet in area with single phase evaporator fan motors less than 1 HP and less than 460V must be EC motors.

California Energy Commission Title 24, Section 126

Effective 01/01/2010, refrigerated warehouses with a total cold storage and frozen storage area exceeding 3,000 square feet with single phase evaporator fan motors less than 1 HP and less than 460V must be variable speed EC motors and controlled in response to space conditions.

Notes:

- Adjustable Defrost Term/Fan Delay standard.
- Beacon II must be ordered as a system.
- Variable Speed EC (VSEC) motors require a customer supplied 0-10V signal.
- TXV = Expansion Valve; LLSV = Liquid Line Solenoid Valve
- Molded fan guards are standard and wire fan guards optional at no additional cost.
- Low Temp Motors, Stainless Steel Cabinet & Pan, and Copper Fin Coils are available. Contact your Sales Representative or Account Engineer for more information.

Medium Profile

Electric Defrost Models & Options

When Do You Choose a Configurable Model?

- Choose when there is not a standard model listed or you want to add factory-installed options.
- When ordering a configurable model, remember to specify the voltage and fan motor type.

Section 1

Chandler Standard Model	Chandler Configurable Model	FPI	List Price (\$US)	Factory-Installed Options List Price Adders (\$US)						
				Electrical Options		Drain Pan Options		Mechanical Options		Coil Options
				Beacon II Assembly	Room TSTAT	Electric	Double Wall Insulated	TXV	TXV & LLSV	Bronz-Glow
Electric Defrost Models with Totally-Enclosed PSC Motors - 208-230/3/60										
-	HME101SB	6	4,596	2,220	291	Standard	Call Factory	552	840	Call Factory
-	HME140SB	6	5,398	2,220	291	Standard	Call Factory	552	840	Call Factory
-	HME190SB	6	7,423	2,220	291	Standard	Call Factory	552	840	Call Factory
-	HME260SB	6	10,002	2,220	291	Standard	Call Factory	552	840	Call Factory
-	HME310SB	6	11,013	2,220	291	Standard	Call Factory	741	1,190	Call Factory
-	HME390SB	6	13,344	2,220	291	Standard	Call Factory	741	1,190	Call Factory
-	HME430SB	6	14,696	2,220	291	Standard	Call Factory	741	1,190	Call Factory
-	HME520SB	6	16,538	2,220	291	Standard	Call Factory	741	1,190	Call Factory
-	HME620SB	6	17,944	2,220	291	Standard	Call Factory	1,074	1,649	Call Factory
-	HML100SB	4.5	4,763	2,220	291	Standard	Call Factory	552	840	Call Factory
-	HML165SB	4.5	6,733	2,220	291	Standard	Call Factory	552	840	Call Factory
-	HML220SB	4.5	9,050	2,220	291	Standard	Call Factory	552	840	Call Factory
-	HML250SB	4.5	9,871	2,220	291	Standard	Call Factory	741	1,190	Call Factory
-	HML330SB	4.5	12,839	2,220	291	Standard	Call Factory	741	1,190	Call Factory
-	HML370SB	4.5	14,148	2,220	291	Standard	Call Factory	741	1,190	Call Factory
-	HML440SB	4.5	15,881	2,220	291	Standard	Call Factory	741	1,190	Call Factory
-	HML530SB	4.5	17,277	2,220	291	Standard	Call Factory	1,074	1,649	Call Factory
Electric Defrost Models with Totally-Enclosed PSC Motors - 460/1/60										
-	HME101SB	6	4,858	2,220	291	Standard	Call Factory	552	840	Call Factory
-	HME140SB	6	5,659	2,220	291	Standard	Call Factory	552	840	Call Factory
-	HME190SB	6	7,938	2,220	291	Standard	Call Factory	552	840	Call Factory
-	HME260SB	6	10,519	2,220	291	Standard	Call Factory	552	840	Call Factory
-	HME310SB	6	11,786	2,220	291	Standard	Call Factory	741	1,190	Call Factory
-	HME390SB	6	14,119	2,220	291	Standard	Call Factory	741	1,190	Call Factory
-	HME430SB	6	15,729	2,220	291	Standard	Call Factory	741	1,190	Call Factory
-	HME520SB	6	17,571	2,220	291	Standard	Call Factory	741	1,190	Call Factory
-	HME620SB	6	19,237	2,220	291	Standard	Call Factory	1,074	1,649	Call Factory
-	HML100SB	4.5	5,020	2,220	291	Standard	Call Factory	552	840	Call Factory
-	HML165SB	4.5	7,250	2,220	291	Standard	Call Factory	552	840	Call Factory

Regulations Require EC or VSEC Motors!

Federal Energy Independence and Security Act of 2007 (H.R. 6)

Walk-Ins manufactured on or after 01/01/2009 and under 3,000 square feet in area with single phase evaporator fan motors less than 1 HP and less than 460V must be EC motors.

California Energy Commission Title 24, Section 126

Effective 01/01/2010, refrigerated warehouses with a total cold storage and frozen storage area exceeding 3,000 square feet with single phase evaporator fan motors less than 1 HP and less than 460V must be variable speed EC motors and controlled in response to space conditions.

Notes:

- Adjustable Defrost Term/Fan Delay standard.
- Beacon II must be ordered as a system.
- Variable Speed EC (VSEC) motors require a customer supplied 0-10V signal.
- TXV = Expansion Valve; LLSV = Liquid Line Solenoid Valve
- Molded fan guards are standard and wire fan guards optional at no additional cost.
- Low Temp Motors, Stainless Steel Cabinet & Pan, and Copper Fin Coils are available. Contact your Sales Representative or Account Engineer for more information.

Medium Profile

Electric Defrost Models & Options

When Do You Choose a Configurable Model?

- Choose when there is not a standard model listed or you want to add factory-installed options.
- When ordering a configurable model, remember to specify the voltage and fan motor type.

Chandler Standard Model	Chandler Configurable Model	FPI	List Price (\$US)	Factory-Installed Options List Price Adders (\$US)						
				Electrical Options		Drain Pan Options		Mechanical Options		Coil Options
				Beacon II Assembly	Room TSTAT	Electric	Double Wall Insulated	TXV	TXV & LLSV	Bronz-Glow
-	HML220SB	4.5	9,570	2,220	291	Standard	Call Factory	552	840	Call Factory
-	HML250SB	4.5	10,385	2,220	291	Standard	Call Factory	741	1,190	Call Factory
-	HML330SB	4.5	13,616	2,220	291	Standard	Call Factory	741	1,190	Call Factory
-	HML370SB	4.5	15,179	2,220	291	Standard	Call Factory	741	1,190	Call Factory
-	HML440SB	4.5	16,911	2,220	291	Standard	Call Factory	741	1,190	Call Factory
-	HML530SB	4.5	18,567	2,220	291	Standard	Call Factory	1,074	1,649	Call Factory
Electric Defrost Models with Totally-Enclosed PSC Motors - 460/3/60										
-	HME101SB	6	4,858	2,220	291	Standard	Call Factory	552	840	Call Factory
-	HME140SB	6	5,659	2,220	291	Standard	Call Factory	552	840	Call Factory
-	HME190SB	6	7,938	2,220	291	Standard	Call Factory	552	840	Call Factory
-	HME260SB	6	10,519	2,220	291	Standard	Call Factory	552	840	Call Factory
-	HME310SB	6	11,786	2,220	291	Standard	Call Factory	741	1,190	Call Factory
-	HME390SB	6	14,119	2,220	291	Standard	Call Factory	741	1,190	Call Factory
-	HME430SB	6	15,729	2,220	291	Standard	Call Factory	741	1,190	Call Factory
-	HME520SB	6	17,571	2,220	291	Standard	Call Factory	741	1,190	Call Factory
-	HME620SB	6	19,237	2,220	291	Standard	Call Factory	1,074	1,649	Call Factory
-	HML100SB	4.5	5,020	2,220	291	Standard	Call Factory	552	840	Call Factory
-	HML165SB	4.5	7,250	2,220	291	Standard	Call Factory	552	840	Call Factory
-	HML220SB	4.5	9,570	2,220	291	Standard	Call Factory	552	840	Call Factory
-	HML250SB	4.5	10,385	2,220	291	Standard	Call Factory	741	1,190	Call Factory
-	HML330SB	4.5	13,616	2,220	291	Standard	Call Factory	741	1,190	Call Factory
-	HML370SB	4.5	15,179	2,220	291	Standard	Call Factory	741	1,190	Call Factory
-	HML440SB	4.5	16,911	2,220	291	Standard	Call Factory	741	1,190	Call Factory
-	HML530SB	4.5	18,567	2,220	291	Standard	Call Factory	1,074	1,649	Call Factory

Regulations Require EC or VSEC Motors!

Federal Energy Independence and Security Act of 2007 (H.R. 6)

Walk-Ins manufactured on or after 01/01/2009 and under 3,000 square feet in area with single phase evaporator fan motors less than 1 HP and less than 460V must be EC motors.

California Energy Commission Title 24, Section 126

Effective 01/01/2010, refrigerated warehouses with a total cold storage and frozen storage area exceeding 3,000 square feet with single phase evaporator fan motors less than 1 HP and less than 460V must be variable speed EC motors and controlled in response to space conditions.

Notes:

- Adjustable Defrost Term/Fan Delay standard.
- Beacon II must be ordered as a system.
- Variable Speed EC (VSEC) motors require a customer supplied 0-10V signal.
- TXV = Expansion Valve; LLSV = Liquid Line Solenoid Valve
- Molded fan guards are standard and wire fan guards optional at no additional cost.
- Low Temp Motors, Stainless Steel Cabinet & Pan, and Copper Fin Coils are available. Contact your Sales Representative or Account Engineer for more information.

Medium Profile

Hot Gas Defrost Models & Options

When Do You Choose a Configurable Model?

- Choose when there is not a standard model listed or you want to add factory-installed options.
- When ordering a configurable model, remember to specify the voltage and fan motor type.

Section 1

Chandler Standard Model	Chandler Configurable Model	FPI	List Price (\$US)	Factory-Installed Options List Price Adders (\$US)					
				Drain Pan Options			Mechanical Options	Coil Options	
				Electric	Hot Gas Loop	Double Wall Insulated	TXV	ElectroFin Coil	Bronz-Glow
Hot Gas Defrost Models with VSEC Motors - 115/1/60									
-	HMG190SA	6	8,163	Standard	660	Call Factory	552	-	Call Factory
-	HMG260SA	6	10,533	Standard	660	Call Factory	552	-	Call Factory
-	HMG310SA	6	12,128	Standard	792	Call Factory	741	-	Call Factory
-	HMG390SA	6	14,331	Standard	792	Call Factory	741	-	Call Factory
-	HMG430SA	6	16,184	Standard	923	Call Factory	1,074	-	Call Factory
-	HMG520SA	6	17,919	Standard	923	Call Factory	1,074	-	Call Factory
-	HMF165SA	4.5	7,965	Standard	660	Call Factory	552	Call Factory	Call Factory
-	HMF220SA	4.5	10,326	Standard	660	Call Factory	552	Call Factory	Call Factory
-	HMF250SA	4.5	11,838	Standard	792	Call Factory	741	Call Factory	Call Factory
-	HMF330SA	4.5	13,910	Standard	792	Call Factory	741	Call Factory	Call Factory
-	HMF370SA	4.5	15,729	Standard	923	Call Factory	1,074	Call Factory	Call Factory
-	HMF440SA	4.5	17,406	Standard	923	Call Factory	1,074	Call Factory	Call Factory
Hot Gas Defrost Models with VSEC Motors - 208-230/1/60									
-	HMG190SA	6	8,293	Standard	660	Call Factory	552	-	Call Factory
-	HMG260SA	6	10,727	Standard	660	Call Factory	552	-	Call Factory
-	HMG310SA	6	12,320	Standard	792	Call Factory	741	-	Call Factory
-	HMG390SA	6	14,524	Standard	792	Call Factory	741	-	Call Factory
-	HMG430SA	6	16,443	Standard	923	Call Factory	1,074	-	Call Factory
-	HMG520SA	6	18,177	Standard	923	Call Factory	1,074	-	Call Factory
-	HMF165SA	4.5	8,094	Standard	660	Call Factory	552	Call Factory	Call Factory
-	HMF220SA	4.5	10,457	Standard	660	Call Factory	552	Call Factory	Call Factory
-	HMF250SA	4.5	12,028	Standard	792	Call Factory	741	Call Factory	Call Factory
-	HMF330SA	4.5	14,105	Standard	792	Call Factory	741	Call Factory	Call Factory
-	HMF370SA	4.5	15,989	Standard	923	Call Factory	1,074	Call Factory	Call Factory
-	HMF440SA	4.5	17,667	Standard	923	Call Factory	1,074	Call Factory	Call Factory
Hot Gas Defrost Models with EC Motors - 115/1/60									
-	HMG190SA	6	7,915	Standard	660	Call Factory	552	-	Call Factory
-	HMG260SA	6	10,285	Standard	660	Call Factory	552	-	Call Factory
-	HMG310SA	6	11,756	Standard	792	Call Factory	741	-	Call Factory

Regulations Require EC or VSEC Motors!

Federal Energy Independence and Security Act of 2007 (H.R. 6)

Walk-Ins manufactured on or after 01/01/2009 and under 3,000 square feet in area with single phase evaporator fan motors less than 1 HP and less than 460V must be EC motors.

California Energy Commission Title 24, Section 126

Effective 01/01/2010, refrigerated warehouses with a total cold storage and frozen storage area exceeding 3,000 square feet with single phase evaporator fan motors less than 1 HP and less than 460V must be variable speed EC motors and controlled in response to space conditions.

Notes:

- Adjustable Defrost Term/Fan Relay standard.
- Variable Speed EC (VSEC) motors require a customer supplied 0-10V signal.
- TXV = Expansion Valve
- Molded fan guards are standard and wire fan guards optional at no additional cost.
- When using hot gas defrost units on 0°F degree applications and below, an insulated drain pan is required for models with hot gas drain pans.
- Low Temp Motors, Stainless Steel Cabinet & Pan, and Copper Fin Coils are available. Contact your Sales Representative or Account Engineer for more information.

Medium Profile

Hot Gas Defrost Models & Options

When Do You Choose a Configurable Model?

- Choose when there is not a standard model listed or you want to add factory-installed options.
- When ordering a configurable model, remember to specify the voltage and fan motor type.

Chandler Standard Model	Chandler Configurable Model	FPI	List Price (\$US)	Factory-Installed Options List Price Adders (\$US)					
				Drain Pan Options			Mechanical Options	Coil Options	
				Electric	Hot Gas Loop	Double Wall Insulated	TXV	ElectroFin Coil	Bronz-Glow
-	HMG390SA	6	13,959	Standard	792	Call Factory	741	-	Call Factory
-	HMG430SA	6	15,688	Standard	923	Call Factory	1,074	-	Call Factory
-	HMG520SA	6	17,423	Standard	923	Call Factory	1,074	-	Call Factory
-	HMF165SA	4.5	7,717	Standard	660	Call Factory	552	Call Factory	Call Factory
-	HMF220SA	4.5	10,078	Standard	660	Call Factory	552	Call Factory	Call Factory
-	HMF250SA	4.5	11,466	Standard	792	Call Factory	741	Call Factory	Call Factory
-	HMF330SA	4.5	13,538	Standard	792	Call Factory	741	Call Factory	Call Factory
-	HMF370SA	4.5	15,233	Standard	923	Call Factory	1,074	Call Factory	Call Factory
-	HMF440SA	4.5	16,910	Standard	923	Call Factory	1,074	Call Factory	Call Factory
Hot Gas Defrost Models with EC Motors - 208-230/1/60									
-	HMG190SA	6	8,045	Standard	660	Call Factory	552	-	Call Factory
-	HMG260SA	6	10,479	Standard	660	Call Factory	552	-	Call Factory
-	HMG310SA	6	11,948	Standard	792	Call Factory	741	-	Call Factory
-	HMG390SA	6	14,152	Standard	792	Call Factory	741	-	Call Factory
-	HMG430SA	6	15,947	Standard	923	Call Factory	1,074	-	Call Factory
-	HMG520SA	6	17,681	Standard	923	Call Factory	1,074	-	Call Factory
-	HMF165SA	4.5	7,846	Standard	660	Call Factory	552	Call Factory	Call Factory
-	HMF220SA	4.5	10,209	Standard	660	Call Factory	552	Call Factory	Call Factory
-	HMF250SA	4.5	11,656	Standard	792	Call Factory	741	Call Factory	Call Factory
-	HMF330SA	4.5	13,733	Standard	792	Call Factory	741	Call Factory	Call Factory
-	HMF370SA	4.5	15,493	Standard	923	Call Factory	1,074	Call Factory	Call Factory
-	HMF440SA	4.5	17,171	Standard	923	Call Factory	1,074	Call Factory	Call Factory
Hot Gas Defrost Models with PSC Motors - 115/1/60									
HMG190AA	HMG190SA	6	6,415	Standard	660	Call Factory	552	-	Call Factory
HMG260AA	HMG260SA	6	8,785	Standard	660	Call Factory	552	-	Call Factory
HMG310AA	HMG310SA	6	9,506	Standard	792	Call Factory	741	-	Call Factory
HMG390AA	HMG390SA	6	11,709	Standard	792	Call Factory	741	-	Call Factory
HMG430AA	HMG430SA	6	12,688	Standard	923	Call Factory	1,074	-	Call Factory
HMG520AA	HMG520SA	6	14,423	Standard	923	Call Factory	1,074	-	Call Factory

Regulations Require EC or VSEC Motors!

Federal Energy Independence and Security Act of 2007 (H.R. 6)

Walk-Ins manufactured on or after 01/01/2009 and under 3,000 square feet in area with single phase evaporator fan motors less than 1 HP and less than 460V must be EC motors.

California Energy Commission Title 24, Section 126

Effective 01/01/2010, refrigerated warehouses with a total cold storage and frozen storage area exceeding 3,000 square feet with single phase evaporator fan motors less than 1 HP and less than 460V must be variable speed EC motors and controlled in response to space conditions.

Notes:

- Adjustable Defrost Term/Fan Delay standard.
- Variable Speed EC (VSEC) motors require a customer supplied 0-10V signal.
- TXV = Expansion Valve
- Molded fan guards are standard and wire fan guards optional at no additional cost.
- When using hot gas defrost units on 0°F degree applications and below, an insulated drain pan is required for models with hot gas drain pans.
- Low Temp Motors, Stainless Steel Cabinet & Pan, and Copper Fin Coils are available. Contact your Sales Representative or Account Engineer for more information.

Medium Profile

Hot Gas Defrost Models & Options

When Do You Choose a Configurable Model?

- Choose when there is not a standard model listed or you want to add factory-installed options.
- When ordering a configurable model, remember to specify the voltage and fan motor type.

Section 1

Chandler Standard Model	Chandler Configurable Model	FPI	List Price (\$US)	Factory-Installed Options List Price Adders (\$US)					
				Drain Pan Options			Mechanical Options	Coil Options	
				Electric	Hot Gas Loop	Double Wall Insulated	TXV	ElectroFin Coil	Bronz-Glow
HMF165AA	HMF165SA	4.5	6,217	Standard	660	Call Factory	552	Call Factory	Call Factory
HMF220AA	HMF220SA	4.5	8,578	Standard	660	Call Factory	552	Call Factory	Call Factory
HMF250AA	HMF250SA	4.5	9,216	Standard	792	Call Factory	741	Call Factory	Call Factory
HMF330AA	HMF330SA	4.5	11,288	Standard	792	Call Factory	741	Call Factory	Call Factory
HMF370AA	HMF370SA	4.5	12,233	Standard	923	Call Factory	1,074	Call Factory	Call Factory
HMF440AA	HMF440SA	4.5	13,910	Standard	923	Call Factory	1,074	Call Factory	Call Factory
Hot Gas Defrost Models with PSC Motors - 208-230/1/60									
HMG190BA	HMG190SA	6	6,545	Standard	660	Call Factory	552	-	Call Factory
HMG260BA	HMG260SA	6	8,979	Standard	660	Call Factory	552	-	Call Factory
HMG310BA	HMG310SA	6	9,698	Standard	792	Call Factory	741	-	Call Factory
HMG390BA	HMG390SA	6	11,902	Standard	792	Call Factory	741	-	Call Factory
HMG430BA	HMG430SA	6	12,947	Standard	923	Call Factory	1,074	-	Call Factory
HMG520BA	HMG520SA	6	14,681	Standard	923	Call Factory	1,074	-	Call Factory
HMF165BA	HMF165SA	4.5	6,346	Standard	660	Call Factory	552	Call Factory	Call Factory
HMF220BA	HMF220SA	4.5	8,709	Standard	660	Call Factory	552	Call Factory	Call Factory
HMF250BA	HMF250SA	4.5	9,406	Standard	792	Call Factory	741	Call Factory	Call Factory
HMF330BA	HMF330SA	4.5	11,483	Standard	792	Call Factory	741	Call Factory	Call Factory
HMF370BA	HMF370SA	4.5	12,493	Standard	923	Call Factory	1,074	Call Factory	Call Factory
HMF440BA	HMF440SA	4.5	14,171	Standard	923	Call Factory	1,074	Call Factory	Call Factory
Hot Gas Defrost Models with PSC Motors - 460/1/60									
HMG190MA	HMG190SA	6	7,072	Standard	660	Call Factory	552	-	Call Factory
HMG260MA	HMG260SA	6	9,505	Standard	660	Call Factory	552	-	Call Factory
HMG310MA	HMG310SA	6	10,490	Standard	792	Call Factory	741	-	Call Factory
HMG390MA	HMG390SA	6	12,707	Standard	792	Call Factory	741	-	Call Factory
HMG430MA	HMG430SA	6	13,997	Standard	923	Call Factory	1,074	-	Call Factory
HMG520MA	HMG520SA	6	15,735	Standard	923	Call Factory	1,074	-	Call Factory
HMF165MA	HMF165SA	4.5	6,869	Standard	660	Call Factory	552	Call Factory	Call Factory
HMF220MA	HMF220SA	4.5	9,236	Standard	660	Call Factory	552	Call Factory	Call Factory
HMF250MA	HMF250SA	4.5	10,199	Standard	792	Call Factory	741	Call Factory	Call Factory

Regulations Require EC or VSEC Motors!

Federal Energy Independence and Security Act of 2007 (H.R. 6)

Walk-Ins manufactured on or after 01/01/2009 and under 3,000 square feet in area with single phase evaporator fan motors less than 1 HP and less than 460V must be EC motors.

California Energy Commission Title 24, Section 126

Effective 01/01/2010, refrigerated warehouses with a total cold storage and frozen storage area exceeding 3,000 square feet with single phase evaporator fan motors less than 1 HP and less than 460V must be variable speed EC motors and controlled in response to space conditions.

Notes:

- Adjustable Defrost Term/Fan Delay standard.
- Variable Speed EC (VSEC) motors require a customer supplied 0-10V signal.
- TXV = Expansion Valve
- Molded fan guards are standard and wire fan guards optional at no additional cost.
- When using hot gas defrost units on 0°F degree applications and below, an insulated drain pan is required for models with hot gas drain pans.
- Low Temp Motors, Stainless Steel Cabinet & Pan, and Copper Fin Coils are available. Contact your Sales Representative or Account Engineer for more information.

Medium Profile

Hot Gas Defrost Models & Options

When Do You Choose a Configurable Model?

- Choose when there is not a standard model listed or you want to add factory-installed options.
- When ordering a configurable model, remember to specify the voltage and fan motor type.

Chandler Standard Model	Chandler Configurable Model	FPI	List Price (\$US)	Factory-Installed Options List Price Adders (\$US)					
				Drain Pan Options			Mechanical Options	Coil Options	
				Electric	Hot Gas Loop	Double Wall Insulated	TXV	ElectroFin Coil	Bronz-Glow
HMF330MA	HMF330SA	4.5	12,292	Standard	792	Call Factory	741	Call Factory	Call Factory
HMF370MA	HMF370SA	4.5	13,543	Standard	923	Call Factory	1,074	Call Factory	Call Factory
HMF440MA	HMF440SA	4.5	15,221	Standard	923	Call Factory	1,074	Call Factory	Call Factory
Hot Gas Defrost Models with Totally-Enclosed PSC Motors - 208-230/1/60									
-	HMG190SA	6	7,033	Standard	660	Call Factory	552	-	Call Factory
-	HMG260SA	6	9,467	Standard	660	Call Factory	552	-	Call Factory
-	HMG310SA	6	10,430	Standard	792	Call Factory	741	-	Call Factory
-	HMG390SA	6	12,634	Standard	792	Call Factory	741	-	Call Factory
-	HMG430SA	6	13,923	Standard	923	Call Factory	1,074	-	Call Factory
-	HMG520SA	6	15,657	Standard	923	Call Factory	1,074	-	Call Factory
-	HMF165SA	4.5	6,834	Standard	660	Call Factory	552	Call Factory	Call Factory
-	HMF220SA	4.5	9,197	Standard	660	Call Factory	552	Call Factory	Call Factory
-	HMF250SA	4.5	10,138	Standard	792	Call Factory	741	Call Factory	Call Factory
-	HMF330SA	4.5	12,215	Standard	792	Call Factory	741	Call Factory	Call Factory
-	HMF370SA	4.5	13,469	Standard	923	Call Factory	1,074	Call Factory	Call Factory
-	HMF440SA	4.5	15,147	Standard	923	Call Factory	1,074	Call Factory	Call Factory
Hot Gas Defrost Models with Totally-Enclosed PSC Motors - 460/1/60									
-	HMG190SA	6	7,560	Standard	660	Call Factory	552	-	Call Factory
-	HMG260SA	6	9,993	Standard	660	Call Factory	552	-	Call Factory
-	HMG310SA	6	11,222	Standard	792	Call Factory	741	-	Call Factory
-	HMG390SA	6	13,439	Standard	792	Call Factory	741	-	Call Factory
-	HMG430SA	6	14,973	Standard	923	Call Factory	1,074	-	Call Factory
-	HMG520SA	6	16,711	Standard	923	Call Factory	1,074	-	Call Factory
-	HMF165SA	4.5	7,357	Standard	660	Call Factory	552	Call Factory	Call Factory
-	HMF220SA	4.5	9,724	Standard	660	Call Factory	552	Call Factory	Call Factory
-	HMF250SA	4.5	10,931	Standard	792	Call Factory	741	Call Factory	Call Factory
-	HMF330SA	4.5	13,024	Standard	792	Call Factory	741	Call Factory	Call Factory
-	HMF370SA	4.5	14,519	Standard	923	Call Factory	1,074	Call Factory	Call Factory
-	HMF440SA	4.5	16,197	Standard	923	Call Factory	1,074	Call Factory	Call Factory

Regulations Require EC or VSEC Motors!

Federal Energy Independence and Security Act of 2007 (H.R. 6)

Walk-Ins manufactured on or after 01/01/2009 and under 3,000 square feet in area with single phase evaporator fan motors less than 1 HP and less than 460V must be EC motors.

California Energy Commission Title 24, Section 126

Effective 01/01/2010, refrigerated warehouses with a total cold storage and frozen storage area exceeding 3,000 square feet with single phase evaporator fan motors less than 1 HP and less than 460V must be variable speed EC motors and controlled in response to space conditions.

Notes:

- Adjustable Defrost Term/Fan Delay standard.
- Variable Speed EC (VSEC) motors require a customer supplied 0-10V signal.
- TXV = Expansion Valve
- Molded fan guards are standard and wire fan guards optional at no additional cost.
- When using hot gas defrost units on 0°F degree applications and below, an insulated drain pan is required for models with hot gas drain pans.
- Low Temp Motors, Stainless Steel Cabinet & Pan, and Copper Fin Coils are available. Contact your Sales Representative or Account Engineer for more information.

Medium Profile

Hot Gas Reverse Cycle Kits

Need a Hot Gas Reverse Cycle Kit?

Need help? Please contact your local Sales Representative or Account Engineer for assistance.

Kits for Models with Standard Electric Pan

Hot Gas Models Used On		Factory-Installed		Shipped-Loose	
HMG	HMF	Option Code	List Price Adder (\$US)	Part Number	List Price (\$US)
190 - 260	165 - 220	RCK.EP-1	2,465	89867601	351
310 - 520	250 - 440	RCK.EP-2	2,727	89867602	518

Notes:

- Factory-installed kits include expansion valve and TXV bypass check valve assembly. Specify valve model style, refrigerant, and SST on order.
- Shipped-loose kits include one check valve and piping for TXV bypass around expansion valve. Kit does not include expansion valve.

Kits for Models with Optional Hot Gas Pan

Hot Gas Models Used On		Factory-Installed		Shipped-Loose	
HMG	HMF	Option Code	List Price Adder (\$US)	Part Number	List Price (\$US)
190	165	RCK.HGP-1	3,219	89869403 + 8987601	964
260	220	RCK.HGP-2	3,789	89869402 + 89867601	1,187
310 - 390	250 - 330	RCK.HGP-3	4,052	89869402 + 89867602	1,353
430 - 520	370 - 440	RCK.HGP-4	4,202	89869401 + 89867602	1,445

Notes:

- Factory installed kits included expansion valve, TXV Bypass check valve assembly, suction check valve assembly, and drain pan check valve assembly. Kit does not include hot gas pan price. Specify valve model style, refrigerant, and SST on order.
- Shipped-loose kits include one check valve and piping for TXV bypass around expansion valve, one check valve and piping for drain pan assembly and one check valve and piping for suction assembly. Kit does not include Hot gas pan pricing. Kit does not include expansion valve.

Hot Gas 3-Pipe Kits Available.

Contact your local sales representative or Account Engineer for more information.

Medium Profile

Shipped-Loose Accessories

A wide range of shipped-loose accessories are available to order. Can't Find Something or need help selecting the appropriate accessory for your unit? Please contact your local Sales Representative or Account Engineer for assistance

Part Number	Description	List Price (\$US)	Notes
Room Thermostats			
2891040	Room Thermostat	264	-
28963101	Electronic Room Thermostat	334	-
Air Sock Collars			
89865801	Collar for Air Sock (18" fan)	216	Must be used with wire fan guards. Must order 1 per fan.
Defrost Controls			
21340101	Electric Defrost Timer (60 Hz)	309	-
5505-R	30-Amp Contactor	331	Use as fan or heater contactor
5738-N	50-Amp Contactor	376	Use as fan or heater contactor
Check Valves			
5890C	7/8" Suction Line Check Valve	186	-
5889C	1 1/8" Suction Line Check Valve	362	-
2933022	1 3/8" Suction Line Check Valve	746	-
5731F	1 5/8" Suction Line Check Valve	753	-
Drain Line Heaters			
5508Q	6 ft. Drain Line Heater (208-230V, 42 Watts)	134	-
5594P	12 ft. Drain Line Heater (208-230V, 84 Watts)	146	-
5595P	18 ft. Drain Line Heater (208-230V, 126 Watts)	173	-
5596P	36 ft. Drain Line Heater (208-230V, 252 Watts)	265	-
5597P	60 ft. Drain Line Heater (208-230V, 420 Watts)	489	-
Heat Exchangers			
24200005	Heat Exchanger used on 130 Air Defrost Model and 100 - 140 Electric Defrost Models	240	3/8" Liquid Connection OD, 7/8" Suction Connection OD, 14" Length, 2lbs Approx. Ship Wt.
24200007	Heat Exchanger used on 155 - 300 Air Defrost Models and 165 - 190 Electric & Hot Gas Defrost Models	281	1/2" Liquid Connection OD, 1 1/8" Suction Connection OD, 14" Length, 2lbs Approx. Ship Wt.
24200008	Heat Exchanger used on 365 - 450 Air Defrost Models, 260 - 390 (6 FPI) Electric & Hot Gas Defrost Models, and 220 - 330 (4 FPI) Electric & Hot Gas Defrost Models	471	5/8" Liquid Connection OD, 1 3/8" Suction Connection OD, 14" Length, 3lbs Approx. Ship Wt.
24200009	Heat Exchanger used on 510 - 710 Air Defrost Models and 370 - 620 Electric & Hot Gas Defrost Models	517	7/8" Liquid Connection OD, 1 5/8" Suction Connection OD, 16" Length, 4lbs Approx. Ship Wt.

Expansion Valves (TXV)

When placing order, please specify refrigerant type, saturated suction temperature (SST), liquid temperature, and room temperature.

Part Number	List Price (\$US)	Capacity Range (BTUH)
TXV024	307	24,000 BTUH and under
TXV036	307	24,000 BTUH to 36,000 BTUH
TXV060	497	36,000 BTUH to 60,000 BTUH
TXV120	631	60,000 BTUH to 120,000 BTUH
TXV360	795	120,000 BTUH to 360,000 BTUH

Liquid-line Solenoid Valves (LLSV)

Part Number	List Price (\$US)	Size	Capacity Range (R-404A)	
			Medium Temperature Application (BTUH)	Low Temperature Application (BTUH)
29318013	293	3/8	12,000 BTUH and under	11,000 BTUH and under
4502Z	293	3/8	12,000 BTUH to 24,000 BTUH	11,000 BTUH to 21,000 BTUH
29318011	316	3/8	24,000 BTUH to 44,000 BTUH	21,000 BTUH to 38,000 BTUH
29318012	316	1/2	36,000 BTUH to 51,000 BTUH	31,000 BTUH to 44,000 BTUH
5766Y	316	1/2	51,000 BTUH to 72,000 BTUH	44,000 BTUH to 62,000 BTUH
5768Y	420	5/8	72,000 BTUH to 144,000 BTUH	62,000 BTUH to 120,000 BTUH

Large Unit Coolers

Overview



Section 1

Product Description

The large unit cooler line, available in air, electric, and hot gas defrost, is ideal for warehouse cooler/freezer applications. These superior quality, heavy duty evaporators are available in a wide range of capacities to support many applications. Opting for EC motors or the Beacon II™ Refrigeration System makes this product qualified to be included in the **E Solutions™** product portfolio because of increased energy efficiency and cost savings.

Certifications



Standard Features

Ease of Installation & Service

- Liquid line solenoid wiring harness for faster installation
- Standardized terminal board for easier field wiring
- Hinged drain pan and access panels for easy servicing
- Suction Schrader fitting for easier suction temperature measurement
- Captive fasteners on access panels for easy servicing — no fumbling with loose bolts and nuts

Reliable & Durable

- Thermo-Flex™ (with five-year limited warranty) is innovative, eliminates leaks, and reduces risk of refrigerant loss
- Mill finish aluminum provides an attractive design and structurally sound cabinet
- PVC coated steel wire fan guards

Performance

- 850 rpm motors are quiet and reliable
- Long air throw is ideal for large warehouse and industrial application
- High CFM motors

Versatile

- Adjustable defrost control can be customized per application
- Available with air, electric, or hot gas defrost
- Beacon II™ compatible
- Many motors and voltages available

Nomenclature

HH	A	850	C	P	A
Model Series	Model Type	Capacity	Electrical Code	Optional Motor	Vintage
Chandler Large Unit Cooler	A = Air Defrost, 6 or 8 FPI E = Electric Defrost, 6 FPI L = Electric Defrost, 4.5 FPI G = Hot Gas Defrost, 6 FPI F = Hot gas Defrost, 4.5 FPI	# x 100 = BTUH	B = 208-230/1/60 C = 208-230/3/60 D = 460/3/60 M = 460/1/60 X = 380-400/3/50 Y = 200-220/1/50 S = Configurable	T = Totally Enclosed Motors V = High CFM Option P = 3-Phase Motor	

Large Unit Coolers

Air Defrost Models & Options

When Do You Choose a Configurable Model?

- Choose when there is not a standard model listed or you want to add factory-installed options.
- When ordering a configurable model, remember to specify the voltage and fan motor type.

Chandler Standard Model	Chandler Configurable Model	List Price (\$US)	Factory-Installed Options List Price Adders (\$US)						
			Electrical Options		Mechanical Options		Coil Options		
			Beacon II Assembly	Room TSTAT	TXV	TXV & LLSV	ElectroFin Coil	Polyester Fin Protection	Bronz-Glow
Air Defrost Models with Totally Enclosed VFD Approved Motors - 208-230/3/60									
-	HHA520SA	12,275	4,185	291	987	1,534	Call Factory	1,309	Call Factory
-	HHA630SA	13,532	4,185	291	987	1,534	Call Factory	1,309	Call Factory
-	HHA750SA	16,673	4,185	291	987	1,534	Call Factory	1,389	Call Factory
-	HHA850SA	17,935	4,185	291	987	1,534	Call Factory	1,389	Call Factory
-	HHA930SA	19,656	4,185	291	1,170	1,853	Call Factory	1,495	Call Factory
-	HHA1100SA	21,390	4,185	291	1,170	1,853	Call Factory	1,495	Call Factory
-	HHA1170SA	26,189	4,185	291	1,170	1,853	Call Factory	1,600	Call Factory
-	HHA1400SA	29,341	4,185	291	1,170	1,853	Call Factory	1,600	Call Factory
-	HHA1610SA	30,918	Call Factory	291	1,442	Call Factory	Call Factory	1,600	Call Factory
-	HHA1900SA	36,283	Call Factory	291	1,279	2,042	Call Factory	2,573	Call Factory
-	HHA2160SA	40,065	Call Factory	291	1,279	2,042	Call Factory	1,891	Call Factory
-	HHA2200SA	39,541	Call Factory	291	1,279	2,042	Call Factory	2,573	Call Factory
-	HHA2440SA	45,693	Call Factory	291	1,279	2,042	Call Factory	2,573	Call Factory
-	HHA2500SA	44,429	Call Factory	291	1,279	2,042	Call Factory	2,098	Call Factory
-	HHA2780SA	47,741	Call Factory	291	1,279	2,042	Call Factory	2,098	Call Factory
Air Defrost Models with Totally Enclosed VFD Approved Motors - 460/3/60									
-	HHA520SA	12,275	4,185	291	987	1,534	Call Factory	1,309	Call Factory
-	HHA630SA	13,532	4,185	291	987	1,534	Call Factory	1,309	Call Factory
-	HHA750SA	16,673	4,185	291	987	1,534	Call Factory	1,389	Call Factory
-	HHA850SA	17,935	4,185	291	987	1,534	Call Factory	1,389	Call Factory
-	HHA930SA	19,656	4,185	291	1,170	1,853	Call Factory	1,495	Call Factory
-	HHA1100SA	21,390	4,185	291	1,170	1,853	Call Factory	1,495	Call Factory
-	HHA1170SA	26,189	4,185	291	1,170	1,853	Call Factory	1,600	Call Factory
-	HHA1400SA	29,341	4,185	291	1,170	1,853	Call Factory	1,600	Call Factory
-	HHA1610SA	30,918	Call Factory	291	1,442	Call Factory	Call Factory	1,600	Call Factory
-	HHA1900SA	36,283	Call Factory	291	1,279	2,042	Call Factory	2,573	Call Factory
-	HHA2160SA	40,065	Call Factory	291	1,279	2,042	Call Factory	1,891	Call Factory
-	HHA2200SA	39,541	Call Factory	291	1,279	2,042	Call Factory	2,573	Call Factory
-	HHA2440SA	45,693	Call Factory	291	1,279	2,042	Call Factory	2,573	Call Factory
-	HHA2500SA	44,429	Call Factory	291	1,279	2,042	Call Factory	2,098	Call Factory
-	HHA2780SA	47,741	Call Factory	291	1,279	2,042	Call Factory	2,098	Call Factory

Regulation Requires VFD Approved Motors!

California Energy Commission Title 24, Section 126

Effective 01/01/2010, refrigerated warehouses with a total cold storage and frozen storage area exceeding 3,000 square feet must be variable speed and controlled in response to space conditions. Single phase evaporator fan motors less than 1 HP and less than 460V must be variable speed EC motors. Exception: Evaporators served by a single compressor without unloading capability.

Notes:

- Beacon II must be ordered as a system. Models 1610, 2440, 2500, 2780 and the models 1900, 2160, 2200 (when used with 404A) require special split circuiting.
- Customer to supply VFD to control VFD approved motors.
- TXV = Expansion Valve; LLSV = Liquid Line Solenoid Valve
- Double Wall Insulated Pans, Stainless Steel Cabinet & Pan, Drain Pan Baffles, Electric Re-Heat Option, Dual Circuiting Coils, and Copper Fin Coils are available. Contact your Sales Representative or Account Engineer for more information.

Large Unit Coolers

Air Defrost Models & Options

When Do You Choose a Configurable Model?

- Choose when there is not a standard model listed or you want to add factory-installed options.
- When ordering a configurable model, remember to specify the voltage and fan motor type.

Section 1

Chandler Standard Model	Chandler Configurable Model	List Price (\$US)	Factory-Installed Options List Price Adders (\$US)						
			Electrical Options		Mechanical Options		Coil Options		
			Beacon II Assembly	Room TSTAT	TXV	TXV & LLSV	ElectroFin Coil	Polyester Fin Protection	Bronz-Glow
Air Defrost Models with Standard Motors - 208-230/1/60									
HHA520BA	HHA520SA	11,358	4,185	291	987	1,534	Call Factory	1,309	Call Factory
HHA630BA	HHA630SA	12,615	4,185	291	987	1,534	Call Factory	1,309	Call Factory
HHA750BA	HHA750SA	15,299	4,185	291	987	1,534	Call Factory	1,389	Call Factory
HHA850BA	HHA850SA	16,561	4,185	291	987	1,534	Call Factory	1,389	Call Factory
HHA930BA	HHA930SA	17,824	4,185	291	1,170	1,853	Call Factory	1,495	Call Factory
HHA1100BA	HHA1100SA	19,558	4,185	291	1,170	1,853	Call Factory	1,495	Call Factory
Air Defrost Models with Standard Motors - 208-230/3/60									
HHA520CPA	HHA520SA	12,065	4,185	291	987	1,534	Call Factory	1,309	Call Factory
HHA630CPA	HHA630SA	13,488	4,185	291	987	1,534	Call Factory	1,309	Call Factory
HHA750CA	HHA750SA	15,299	4,185	291	987	1,534	Call Factory	1,389	Call Factory
HHA750CPA	HHA750SA	16,388	4,185	291	987	1,534	Call Factory	1,389	Call Factory
HHA850CA	HHA850SA	16,561	4,185	291	987	1,534	Call Factory	1,389	Call Factory
HHA850CPA	HHA850SA	17,604	4,185	291	987	1,534	Call Factory	1,389	Call Factory
HHA930CA	HHA930SA	17,824	4,185	291	1,170	1,853	Call Factory	1,495	Call Factory
HHA930CPA	HHA930SA	19,241	4,185	291	1,170	1,853	Call Factory	1,495	Call Factory
HHA1100CA	HHA1100SA	19,558	4,185	291	1,170	1,853	Call Factory	1,495	Call Factory
HHA1100CPA	HHA1100SA	20,978	4,185	291	1,170	1,853	Call Factory	1,495	Call Factory
HHA1170CPA	HHA1170SA	25,397	4,185	291	1,170	1,853	Call Factory	1,600	Call Factory
HHA1400CPA	HHA1400SA	28,549	4,185	291	1,170	1,853	Call Factory	1,600	Call Factory
HHA1610CPA	HHA1610SA	30,126	Call Factory	291	1,442	Call Factory	Call Factory	1,600	Call Factory
HHA1900CPA	HHA1900SA	35,491	Call Factory	291	1,279	2,042	Call Factory	2,573	Call Factory
HHA2160CPA	HHA2160SA	39,273	Call Factory	291	1,279	2,042	Call Factory	1,891	Call Factory
HHA2200CPA	HHA2200SA	38,485	Call Factory	291	1,279	2,042	Call Factory	2,573	Call Factory
HHA2440CPA	HHA2440SA	44,637	Call Factory	291	1,279	2,042	Call Factory	2,573	Call Factory
HHA2500CPA	HHA2500SA	43,373	Call Factory	291	1,279	2,042	Call Factory	2,098	Call Factory
HHA2780CPA	HHA2780SA	46,685	Call Factory	291	1,279	2,042	Call Factory	2,098	Call Factory
Air Defrost Models with Standard Motors - 460/1/60									
HHA520MA	HHA520SA	11,358	4,185	291	987	1,534	Call Factory	1,309	Call Factory
HHA630MA	HHA630SA	12,615	4,185	291	987	1,534	Call Factory	1,309	Call Factory

Regulation Requires VFD Approved Motors!

California Energy Commission Title 24, Section 126

Effective 01/01/2010, refrigerated warehouses with a total cold storage and frozen storage area exceeding 3,000 square feet must be variable speed and controlled in response to space conditions. Single phase evaporator fan motors less than 1 HP and less than 460V must be variable speed EC motors. Exception: Evaporators served by a single compressor without unloading capability.

Notes:

- Beacon II must be ordered as a system. Models 1610, 2440, 2500, 2780 and the models 1900, 2160, 2200 (when used with 404A) require special split circuiting.
- Customer to supply VFD to control VFD approved motors.
- TXV = Expansion Valve; LLSV = Liquid Line Solenoid Valve
- Double Wall Insulated Pans, Stainless Steel Cabinet & Pan, Drain Pan Baffles, Electric Re-Heat Option, Dual Circuited Coils, and Copper Fin Coils are available. Contact your Sales Representative or Account Engineer for more information.

Large Unit Coolers

Air Defrost Models & Options

When Do You Choose a Configurable Model?

- Choose when there is not a standard model listed or you want to add factory-installed options.
- When ordering a configurable model, remember to specify the voltage and fan motor type.

Chandler Standard Model	Chandler Configurable Model	List Price (\$US)	Factory-Installed Options List Price Adders (\$US)						
			Electrical Options		Mechanical Options		Coil Options		
			Beacon II Assembly	Room TSTAT	TXV	TXV & LLSV	ElectroFin Coil	Polyester Fin Protection	Bronz-Glow
Air Defrost Models with Standard Motors - 460/3/60									
HHA520DPA	HHA520SA	12,065	4,185	291	987	1,534	Call Factory	1,309	Call Factory
HHA630DPA	HHA630SA	13,488	4,185	291	987	1,534	Call Factory	1,309	Call Factory
HHA750DA	HHA750SA	15,299	4,185	291	987	1,534	Call Factory	1,389	Call Factory
HHA750DPA	HHA750SA	16,388	4,185	291	987	1,534	Call Factory	1,389	Call Factory
HHA850DA	HHA850SA	16,561	4,185	291	987	1,534	Call Factory	1,389	Call Factory
HHA850DPA	HHA850SA	17,604	4,185	291	987	1,534	Call Factory	1,389	Call Factory
HHA930DA	HHA930SA	17,824	4,185	291	1,170	1,853	Call Factory	1,495	Call Factory
HHA930DPA	HHA930SA	19,241	4,185	291	1,170	1,853	Call Factory	1,495	Call Factory
HHA1100DA	HHA1100SA	19,558	4,185	291	1,170	1,853	Call Factory	1,495	Call Factory
HHA1100DPA	HHA1100SA	20,978	4,185	291	1,170	1,853	Call Factory	1,495	Call Factory
HHA1170DPA	HHA1170SA	25,397	4,185	291	1,170	1,853	Call Factory	1,600	Call Factory
HHA1400DPA	HHA1400SA	28,549	4,185	291	1,170	1,853	Call Factory	1,600	Call Factory
HHA1610DPA	HHA1610SA	30,126	Call Factory	291	1,442	Call Factory	Call Factory	1,600	Call Factory
HHA1900DPA	HHA1900SA	35,491	Call Factory	291	1,279	2,042	Call Factory	2,573	Call Factory
HHA2160DPA	HHA2160SA	39,273	Call Factory	291	1,279	2,042	Call Factory	1,891	Call Factory
HHA2200DPA	HHA2200SA	38,485	Call Factory	291	1,279	2,042	Call Factory	2,573	Call Factory
HHA2440DPA	HHA2440SA	44,637	Call Factory	291	1,279	2,042	Call Factory	2,573	Call Factory
HHA2500DPA	HHA2500SA	43,373	Call Factory	291	1,279	2,042	Call Factory	2,098	Call Factory
HHA2780DPA	HHA2780SA	46,685	Call Factory	291	1,279	2,042	Call Factory	2,098	Call Factory

Regulation Requires VFD Approved Motors!

California Energy Commission Title 24, Section 126

Effective 01/01/2010, refrigerated warehouses with a total cold storage and frozen storage area exceeding 3,000 square feet must be variable speed and controlled in response to space conditions. Single phase evaporator fan motors less than 1 HP and less than 460V must be variable speed EC motors. Exception: Evaporators served by a single compressor without unloading capability.

Notes:

- Beacon II must be ordered as a system. Models 1610, 2440, 2500, 2780 and the models 1900, 2160, 2200 (when used with 404A) require special split circuiting.
- Customer to supply VFD to control VFD approved motors.
- TXV = Expansion Valve; LLSV = Liquid Line Solenoid Valve
- Double Wall Insulated Pans, Stainless Steel Cabinet & Pan, Drain Pan Baffles, Electric Re-Heat Option, Dual Circuited Coils, and Copper Fin Coils are available. Contact your Sales Representative or Account Engineer for more information.

Large Unit Coolers

Electric Defrost Models & Options

When Do You Choose a Configurable Model?

- Choose when there is not a standard model listed or you want to add factory-installed options.
- When ordering a configurable model, remember to specify the voltage and fan motor type.

Chandler Standard Model	Chandler Configurable Model	List Price (\$US)	Factory-Installed Options List Price Adders (\$US)						
			Electrical Options		Drain Pan Options		Mechanical Options		Coil Options
			Beacon II Assembly	Room TSTAT	Electric	Double Wall Insulated	TXV	TXV & LLSV	Bronz-Glow
Electric Defrost Models with Totally Enclosed VFD Approved Motors - 208-230/3/60									
-	HHE450SB	14,324	4,185	291	Standard	Call Factory	987	1,534	Call Factory
-	HHE550SB	16,373	4,185	291	Standard	Call Factory	987	1,534	Call Factory
-	HHE640SB	18,251	4,185	291	Standard	Call Factory	987	1,534	Call Factory
-	HHE740SB	21,403	4,185	291	Standard	Call Factory	987	1,534	Call Factory
-	HHE810SB	26,119	4,185	291	Standard	Call Factory	1,170	1,853	Call Factory
-	HHE950SB	28,334	4,185	291	Standard	Call Factory	1,170	1,853	Call Factory
-	HHE1020SB	29,341	4,185	291	Standard	Call Factory	1,170	1,853	Call Factory
-	HHE1200SB	33,441	4,185	291	Standard	Call Factory	1,170	1,853	Call Factory
-	HHE1390SB	36,596	Call Factory	291	Standard	Call Factory	1,442	Call Factory	Call Factory
-	HHE1650SB	47,164	4,185	291	Standard	Call Factory	1,170	2,042	Call Factory
-	HHE2120SB	57,680	Call Factory	291	Standard	Call Factory	1,170	2,042	Call Factory
-	HHL400SB	13,375	4,185	291	Standard	Call Factory	987	1,534	Call Factory
-	HHL480SB	16,215	4,185	291	Standard	Call Factory	987	1,534	Call Factory
-	HHL560SB	17,935	4,185	291	Standard	Call Factory	987	1,534	Call Factory
-	HHL650SB	19,671	4,185	291	Standard	Call Factory	987	1,534	Call Factory
-	HHL710SB	21,549	4,185	291	Standard	Call Factory	1,170	1,853	Call Factory
-	HHL840SB	27,858	4,185	291	Standard	Call Factory	1,170	1,853	Call Factory
-	HHL890SB	29,023	4,185	291	Standard	Call Factory	1,170	1,853	Call Factory
-	HHL1050SB	32,813	4,185	291	Standard	Call Factory	1,170	1,853	Call Factory
-	HHL1220SB	36,283	Call Factory	291	Standard	Call Factory	1,442	Call Factory	Call Factory
-	HHL1440SB	45,586	4,185	291	Standard	Call Factory	1,170	2,042	Call Factory
-	HHL1860SB	55,156	Call Factory	291	Standard	Call Factory	1,170	2,042	Call Factory
Electric Defrost Models with Totally Enclosed VFD Approved Motors - 460/3/60									
-	HHE450SB	14,324	4,185	291	Standard	Call Factory	987	1,534	Call Factory
-	HHE550SB	16,373	4,185	291	Standard	Call Factory	987	1,534	Call Factory
-	HHE640SB	18,251	4,185	291	Standard	Call Factory	987	1,534	Call Factory
-	HHE740SB	21,403	4,185	291	Standard	Call Factory	987	1,534	Call Factory
-	HHE810SB	26,119	4,185	291	Standard	Call Factory	1,170	1,853	Call Factory
-	HHE950SB	28,334	4,185	291	Standard	Call Factory	1,170	1,853	Call Factory
-	HHE1020SB	29,341	4,185	291	Standard	Call Factory	1,170	1,853	Call Factory
-	HHE1200SB	33,441	4,185	291	Standard	Call Factory	1,170	1,853	Call Factory

Regulation Requires VFD Approved Motors!

California Energy Commission Title 24, Section 126

Effective 01/01/2010, refrigerated warehouses with a total cold storage and frozen storage area exceeding 3,000 square feet must be variable speed and controlled in response to space conditions. Single phase evaporator fan motors less than 1 HP and less than 460V must be variable speed EC motors. Exception: Evaporators served by a single compressor without unloading capability.

Notes:

- Adjustable Defrost Term/Fan Delay standard.
- Beacon II must be ordered as a system. Models 1220, 1390, 1860, and 2120 (when used with 404A) require special split circuiting.
- Customer to supply VFD to control VFD approved motors.
- TXV = Expansion Valve; LLSV = Liquid Line Solenoid Valve
- 3 Phase Low temp motors and Stainless Steel Cabinet & Pan, Drain Pan Baffles, Electric Re-Heat Option, Dual Circuited Coils, and Copper Fin Coils are available. Contact your Sales Representative or Account Engineer for more information.

Section 1

Large Unit Coolers

Electric Defrost Models & Options

When Do You Choose a Configurable Model?

- Choose when there is not a standard model listed or you want to add factory-installed options.
- When ordering a configurable model, remember to specify the voltage and fan motor type.

Chandler Standard Model	Chandler Configurable Model	List Price (\$US)	Factory-Installed Options List Price Adders (\$US)						
			Electrical Options		Drain Pan Options		Mechanical Options		Coil Options
			Beacon II Assembly	Room TSTAT	Electric	Double Wall Insulated	TXV	TXV & LLSV	Bronz-Glow
-	HHE1390SB	36,596	Call Factory	291	Standard	Call Factory	1,442	Call Factory	Call Factory
-	HHE1650SB	47,164	4,185	291	Standard	Call Factory	1,170	2,042	Call Factory
-	HHE2120SB	57,680	Call Factory	291	Standard	Call Factory	1,170	2,042	Call Factory
-	HHL400SB	13,375	4,185	291	Standard	Call Factory	987	1,534	Call Factory
-	HHL480SB	16,215	4,185	291	Standard	Call Factory	987	1,534	Call Factory
-	HHL560SB	17,935	4,185	291	Standard	Call Factory	987	1,534	Call Factory
-	HHL650SB	19,671	4,185	291	Standard	Call Factory	987	1,534	Call Factory
-	HHL710SB	21,549	4,185	291	Standard	Call Factory	1,170	1,853	Call Factory
-	HHL840SB	27,858	4,185	291	Standard	Call Factory	1,170	1,853	Call Factory
-	HHL890SB	29,023	4,185	291	Standard	Call Factory	1,170	1,853	Call Factory
-	HHL1050SB	32,813	4,185	291	Standard	Call Factory	1,170	1,853	Call Factory
-	HHL1220SB	36,283	Call Factory	291	Standard	Call Factory	1,442	Call Factory	Call Factory
-	HHL1440SB	45,586	4,185	291	Standard	Call Factory	1,170	2,042	Call Factory
-	HHL1860SB	55,156	Call Factory	291	Standard	Call Factory	1,170	2,042	Call Factory

Electric Defrost Models with Standard Motors - 208-230/3/60

HHE450CB	HHE450SB	13,408	4,185	291	Standard	Call Factory	987	1,534	Call Factory
HHE450CPB	HHE450SB	14,117	4,185	291	Standard	Call Factory	987	1,534	Call Factory
HHE550CB	HHE550SB	15,457	4,185	291	Standard	Call Factory	987	1,534	Call Factory
HHE550CPB	HHE550SB	16,153	4,185	291	Standard	Call Factory	987	1,534	Call Factory
HHE640CB	HHE640SB	16,877	4,185	291	Standard	Call Factory	987	1,534	Call Factory
HHE640CPB	HHE640SB	17,919	4,185	291	Standard	Call Factory	987	1,534	Call Factory
HHE740CB	HHE740SB	20,029	4,185	291	Standard	Call Factory	987	1,534	Call Factory
HHE740CPB	HHE740SB	21,135	4,185	291	Standard	Call Factory	987	1,534	Call Factory
HHE810CB	HHE810SB	24,287	4,185	291	Standard	Call Factory	1,170	1,853	Call Factory
HHE810CPB	HHE810SB	25,678	4,185	291	Standard	Call Factory	1,170	1,853	Call Factory
HHE950CB	HHE950SB	26,502	4,185	291	Standard	Call Factory	1,170	1,853	Call Factory
HHE950CPB	HHE950SB	27,918	4,185	291	Standard	Call Factory	1,170	1,853	Call Factory
HHE1020CPB	HHE1020SB	28,549	4,185	291	Standard	Call Factory	1,170	1,853	Call Factory
HHE1200CPB	HHE1200SB	32,649	4,185	291	Standard	Call Factory	1,170	1,853	Call Factory
HHE1390CPB	HHE1390SB	35,804	Call Factory	291	Standard	Call Factory	1,442	Call Factory	Call Factory
HHE1650CPB	HHE1650SB	46,372	4,185	291	Standard	Call Factory	1,170	2,042	Call Factory
HHE2120CPB	HHE2120SB	56,624	Call Factory	291	Standard	Call Factory	1,170	2,042	Call Factory
HHL400CB	HHL400SB	12,459	4,185	291	Standard	Call Factory	987	1,534	Call Factory

Regulation Requires VFD Approved Motors!

California Energy Commission Title 24, Section 126

Effective 01/01/2010, refrigerated warehouses with a total cold storage and frozen storage area exceeding 3,000 square feet must be variable speed and controlled in response to space conditions. Single phase evaporator fan motors less than 1 HP and less than 460V must be variable speed EC motors. Exception: Evaporators served by a single compressor without unloading capability.

Notes:

- Adjustable Defrost Term/Fan Delay standard.
- Beacon II must be ordered as a system. Models 1220, 1390, 1860, and 2120 (when used with 404A) require special split circuiting.
- Customer to supply VFD to control VFD approved motors.
- TXV = Expansion Valve; LLSV = Liquid Line Solenoid Valve
- 3 Phase Low temp motors and Stainless Steel Cabinet & Pan, Drain Pan Baffles, Electric Re-Heat Option, Dual Circuited Coils, and Copper Fin Coils are available. Contact your Sales Representative or Account Engineer for more information.

Large Unit Coolers

Electric Defrost Models & Options

When Do You Choose a Configurable Model?

- Choose when there is not a standard model listed or you want to add factory-installed options.
- When ordering a configurable model, remember to specify the voltage and fan motor type.

Chandler Standard Model	Chandler Configurable Model	List Price (\$US)	Factory-Installed Options List Price Adders (\$US)						
			Electrical Options		Drain Pan Options		Mechanical Options		Coil Options
			Beacon II Assembly	Room TSTAT	Electric	Double Wall Insulated	TXV	TXV & LLSV	Bronz-Glow
HHL400CPB	HHL400SB	13,153	4,185	291	Standard	Call Factory	987	1,534	Call Factory
HHL480CB	HHL480SB	15,299	4,185	291	Standard	Call Factory	987	1,534	Call Factory
HHL480CPB	HHL480SB	16,009	4,185	291	Standard	Call Factory	987	1,534	Call Factory
HHL560CB	HHL560SB	16,561	4,185	291	Standard	Call Factory	987	1,534	Call Factory
HHL560CPB	HHL560SB	17,604	4,185	291	Standard	Call Factory	987	1,534	Call Factory
HHL650CB	HHL650SB	18,297	4,185	291	Standard	Call Factory	987	1,534	Call Factory
HHL650CPB	HHL650SB	19,336	4,185	291	Standard	Call Factory	987	1,534	Call Factory
HHL710CB	HHL710SB	19,717	4,185	291	Standard	Call Factory	1,170	1,853	Call Factory
HHL710CPB	HHL710SB	21,135	4,185	291	Standard	Call Factory	1,170	1,853	Call Factory
HHL840CB	HHL840SB	26,026	4,185	291	Standard	Call Factory	1,170	1,853	Call Factory
HHL840CPB	HHL840SB	27,442	4,185	291	Standard	Call Factory	1,170	1,853	Call Factory
HHL890CPB	HHL890SB	28,231	4,185	291	Standard	Call Factory	1,170	1,853	Call Factory
HHL1050CPB	HHL1050SB	32,021	4,185	291	Standard	Call Factory	1,170	1,853	Call Factory
HHL1220CPB	HHL1220SB	35,491	Call Factory	291	Standard	Call Factory	1,442	Call Factory	Call Factory
HHL1440CPB	HHL1440SB	44,794	4,185	291	Standard	Call Factory	1,170	2,042	Call Factory
HHL1860CPB	HHL1860SB	54,100	Call Factory	291	Standard	Call Factory	1,170	2,042	Call Factory
Electric Defrost Models with Standard Motors - 460/3/60									
HHE450DB	HHE450SB	13,408	4,185	291	Standard	Call Factory	987	1,534	Call Factory
HHE450DPB	HHE450SB	14,117	4,185	291	Standard	Call Factory	987	1,534	Call Factory
HHE550DB	HHE550SB	15,457	4,185	291	Standard	Call Factory	987	1,534	Call Factory
HHE550DPB	HHE550SB	16,153	4,185	291	Standard	Call Factory	987	1,534	Call Factory
HHE640DB	HHE640SB	16,877	4,185	291	Standard	Call Factory	987	1,534	Call Factory
HHE640DPB	HHE640SB	17,919	4,185	291	Standard	Call Factory	987	1,534	Call Factory
HHE740DB	HHE740SB	20,029	4,185	291	Standard	Call Factory	987	1,534	Call Factory
HHE740DPB	HHE740SB	21,135	4,185	291	Standard	Call Factory	987	1,534	Call Factory
HHE810DB	HHE810SB	24,287	4,185	291	Standard	Call Factory	1,170	1,853	Call Factory
HHE810DPB	HHE810SB	25,678	4,185	291	Standard	Call Factory	1,170	1,853	Call Factory
HHE950DB	HHE950SB	26,502	4,185	291	Standard	Call Factory	1,170	1,853	Call Factory
HHE950DPB	HHE950SB	27,918	4,185	291	Standard	Call Factory	1,170	1,853	Call Factory
HHE1020DPB	HHE1020SB	28,549	4,185	291	Standard	Call Factory	1,170	1,853	Call Factory
HHE1200DPB	HHE1200SB	32,649	4,185	291	Standard	Call Factory	1,170	1,853	Call Factory
HHE1390DPB	HHE1390SB	35,804	Call Factory	291	Standard	Call Factory	1,442	Call Factory	Call Factory
HHE1650DPB	HHE1650SB	46,372	4,185	291	Standard	Call Factory	1,170	2,042	Call Factory

Regulation Requires VFD Approved Motors!

California Energy Commission Title 24, Section 126

Effective 01/01/2010, refrigerated warehouses with a total cold storage and frozen storage area exceeding 3,000 square feet must be variable speed and controlled in response to space conditions. Single phase evaporator fan motors less than 1 HP and less than 460V must be variable speed EC motors. Exception: Evaporators served by a single compressor without unloading capability.

Notes:

- Adjustable Defrost Term/Fan Delay standard.
- Beacon II must be ordered as a system. Models 1220, 1390, 1860, and 2120 (when used with 404A) require special split circuiting.
- Customer to supply VFD to control VFD approved motors.
- TXV = Expansion Valve; LLSV = Liquid Line Solenoid Valve
- 3 Phase Low temp motors and Stainless Steel Cabinet & Pan, Drain Pan Baffles, Electric Re-Heat Option, Dual Circuitied Coils, and Copper Fin Coils are available. Contact your Sales Representative or Account Engineer for more information.

Large Unit Coolers

Electric Defrost Models & Options

When Do You Choose a Configurable Model?

- Choose when there is not a standard model listed or you want to add factory-installed options.
- When ordering a configurable model, remember to specify the voltage and fan motor type.

Chandler Standard Model	Chandler Configurable Model	List Price (\$US)	Factory-Installed Options List Price Adders (\$US)						
			Electrical Options		Drain Pan Options		Mechanical Options		Coil Options
			Beacon II Assembly	Room TSTAT	Electric	Double Wall Insulated	TXV	TXV & LLSV	Bronz-Glow
HHE2120DPB	HHE2120SB	56,624	Call Factory	291	Standard	Call Factory	1,170	2,042	Call Factory
HHL400DB	HHL400SB	12,459	4,185	291	Standard	Call Factory	987	1,534	Call Factory
HHL400DPB	HHL400SB	13,153	4,185	291	Standard	Call Factory	987	1,534	Call Factory
HHL480DB	HHL480SB	15,299	4,185	291	Standard	Call Factory	987	1,534	Call Factory
HHL480DPB	HHL480SB	16,009	4,185	291	Standard	Call Factory	987	1,534	Call Factory
HHL560DB	HHL560SB	16,561	4,185	291	Standard	Call Factory	987	1,534	Call Factory
HHL560DPB	HHL560SB	17,604	4,185	291	Standard	Call Factory	987	1,534	Call Factory
HHL650DB	HHL650SB	18,297	4,185	291	Standard	Call Factory	987	1,534	Call Factory
HHL650DPB	HHL650SB	19,336	4,185	291	Standard	Call Factory	987	1,534	Call Factory
HHL710DB	HHL710SB	19,717	4,185	291	Standard	Call Factory	1,170	1,853	Call Factory
HHL710DPB	HHL710SB	21,135	4,185	291	Standard	Call Factory	1,170	1,853	Call Factory
HHL840DB	HHL840SB	26,026	4,185	291	Standard	Call Factory	1,170	1,853	Call Factory
HHL840DPB	HHL840SB	27,442	4,185	291	Standard	Call Factory	1,170	1,853	Call Factory
HHL890DPB	HHL890SB	28,231	4,185	291	Standard	Call Factory	1,170	1,853	Call Factory
HHL1050DPB	HHL1050SB	32,021	4,185	291	Standard	Call Factory	1,170	1,853	Call Factory
HHL1220DPB	HHL1220SB	35,491	Call Factory	291	Standard	Call Factory	1,442	Call Factory	Call Factory
HHL1440DPB	HHL1440SB	44,794	4,185	291	Standard	Call Factory	1,170	2,042	Call Factory
HHL1860DPB	HHL1860SB	54,100	Call Factory	291	Standard	Call Factory	1,170	2,042	Call Factory
Electric Defrost Models with High CFM Motors - 208-230/3/60									
-	HHE450SB	16,168	4,185	291	Standard	Call Factory	987	1,534	Call Factory
-	HHE550SB	18,217	4,185	291	Standard	Call Factory	987	1,534	Call Factory
-	HHE640SB	21,017	4,185	291	Standard	Call Factory	987	1,534	Call Factory
-	HHE740SB	24,169	4,185	291	Standard	Call Factory	987	1,534	Call Factory
-	HHE810SB	29,807	4,185	291	Standard	Call Factory	1,170	1,853	Call Factory
-	HHE950SB	32,022	4,185	291	Standard	Call Factory	1,170	1,853	Call Factory
-	HHE1020SB	32,419	4,185	291	Standard	Call Factory	1,170	1,853	Call Factory
-	HHE1200SB	36,519	4,185	291	Standard	Call Factory	1,170	1,853	Call Factory
-	HHE1390SB	39,674	Call Factory	291	Standard	Call Factory	1,442	Call Factory	Call Factory
-	HHE1650SB	50,242	4,185	291	Standard	Call Factory	1,170	2,042	Call Factory
-	HHE2120SB	61,784	Call Factory	291	Standard	Call Factory	1,170	2,042	Call Factory
-	HHL400SB	15,219	4,185	291	Standard	Call Factory	987	1,534	Call Factory
-	HHL480SB	18,059	4,185	291	Standard	Call Factory	987	1,534	Call Factory
-	HHL560SB	20,701	4,185	291	Standard	Call Factory	987	1,534	Call Factory

Regulation Requires VFD Approved Motors!

California Energy Commission Title 24, Section 126

Effective 01/01/2010, refrigerated warehouses with a total cold storage and frozen storage area exceeding 3,000 square feet must be variable speed and controlled in response to space conditions. Single phase evaporator fan motors less than 1 HP and less than 460V must be variable speed EC motors. Exception: Evaporators served by a single compressor without unloading capability.

Notes:

- Adjustable Defrost Term/Fan Delay standard.
- Beacon II must be ordered as a system. Models 1220, 1390, 1860, and 2120 (when used with 404A) require special split circuiting.
- Customer to supply VFD to control VFD approved motors.
- TXV = Expansion Valve; LLSV = Liquid Line Solenoid Valve
- 3 Phase Low temp motors and Stainless Steel Cabinet & Pan, Drain Pan Baffles, Electric Re-Heat Option, Dual Circuitied Coils, and Copper Fin Coils are available. Contact your Sales Representative or Account Engineer for more information.

Large Unit Coolers

Electric Defrost Models & Options

When Do You Choose a Configurable Model?

- Choose when there is not a standard model listed or you want to add factory-installed options.
- When ordering a configurable model, remember to specify the voltage and fan motor type.

Chandler Standard Model	Chandler Configurable Model	List Price (\$US)	Factory-Installed Options List Price Adders (\$US)						
			Electrical Options		Drain Pan Options		Mechanical Options		Coil Options
			Beacon II Assembly	Room TSTAT	Electric	Double Wall Insulated	TXV	TXV & LLSV	Bronz-Glow
-	HHL650SB	22,437	4,185	291	Standard	Call Factory	987	1,534	Call Factory
-	HHL710SB	25,237	4,185	291	Standard	Call Factory	1,170	1,853	Call Factory
-	HHL840SB	31,546	4,185	291	Standard	Call Factory	1,170	1,853	Call Factory
-	HHL890SB	32,101	4,185	291	Standard	Call Factory	1,170	1,853	Call Factory
-	HHL1050SB	35,891	4,185	291	Standard	Call Factory	1,170	1,853	Call Factory
-	HHL1220SB	39,361	Call Factory	291	Standard	Call Factory	1,442	Call Factory	Call Factory
-	HHL1440SB	48,664	4,185	291	Standard	Call Factory	1,170	2,042	Call Factory
-	HHL1860SB	59,260	Call Factory	291	Standard	Call Factory	1,170	2,042	Call Factory
Electric Defrost Models with High CFM Motors - 460/3/60									
-	HHE450SB	16,168	4,185	291	Standard	Call Factory	987	1,534	Call Factory
-	HHE550SB	18,217	4,185	291	Standard	Call Factory	987	1,534	Call Factory
-	HHE640SB	21,017	4,185	291	Standard	Call Factory	987	1,534	Call Factory
-	HHE740SB	24,169	4,185	291	Standard	Call Factory	987	1,534	Call Factory
-	HHE810SB	29,807	4,185	291	Standard	Call Factory	1,170	1,853	Call Factory
-	HHE950SB	32,022	4,185	291	Standard	Call Factory	1,170	1,853	Call Factory
-	HHE1020SB	32,419	4,185	291	Standard	Call Factory	1,170	1,853	Call Factory
-	HHE1200SB	36,519	4,185	291	Standard	Call Factory	1,170	1,853	Call Factory
-	HHE1390SB	39,674	Call Factory	291	Standard	Call Factory	1,442	Call Factory	Call Factory
-	HHE1650SB	50,242	4,185	291	Standard	Call Factory	1,170	2,042	Call Factory
-	HHE2120SB	61,784	Call Factory	291	Standard	Call Factory	1,170	2,042	Call Factory
-	HHL400SB	15,219	4,185	291	Standard	Call Factory	987	1,534	Call Factory
-	HHL480SB	18,059	4,185	291	Standard	Call Factory	987	1,534	Call Factory
-	HHL560SB	20,701	4,185	291	Standard	Call Factory	987	1,534	Call Factory
-	HHL650SB	22,437	4,185	291	Standard	Call Factory	987	1,534	Call Factory
-	HHL710SB	25,237	4,185	291	Standard	Call Factory	1,170	1,853	Call Factory
-	HHL840SB	31,546	4,185	291	Standard	Call Factory	1,170	1,853	Call Factory
-	HHL890SB	32,101	4,185	291	Standard	Call Factory	1,170	1,853	Call Factory
-	HHL1050SB	35,891	4,185	291	Standard	Call Factory	1,170	1,853	Call Factory
-	HHL1220SB	39,361	Call Factory	291	Standard	Call Factory	1,442	Call Factory	Call Factory
-	HHL1440SB	48,664	4,185	291	Standard	Call Factory	1,170	2,042	Call Factory
-	HHL1860SB	59,260	Call Factory	291	Standard	Call Factory	1,170	2,042	Call Factory

Regulation Requires VFD Approved Motors!

California Energy Commission Title 24, Section 126

Effective 01/01/2010, refrigerated warehouses with a total cold storage and frozen storage area exceeding 3,000 square feet must be variable speed and controlled in response to space conditions. Single phase evaporator fan motors less than 1 HP and less than 460V must be variable speed EC motors. Exception: Evaporators served by a single compressor without unloading capability.

Notes:

- Adjustable Defrost Term/Fan Delay standard.
- Beacon II must be ordered as a system. Models 1220, 1390, 1860, and 2120 (when used with 404A) require special split circuiting.
- Customer to supply VFD to control VFD approved motors.
- TXV = Expansion Valve; LLSV = Liquid Line Solenoid Valve
- 3 Phase Low temp motors and Stainless Steel Cabinet & Pan, Drain Pan Baffles, Electric Re-Heat Option, Dual Circuitied Coils, and Copper Fin Coils are available. Contact your Sales Representative or Account Engineer for more information.

Section 1

Large Unit Coolers

Hot Gas Defrost Models & Options

When Do You Choose a Configurable Model?

- Choose when there is not a standard model listed or you want to add factory-installed options.
- When ordering a configurable model, remember to specify the voltage and fan motor type.

Chandler Standard Model	Chandler Configurable Model	List Price (\$US)	Factory-Installed Options List Price Adders (\$US)					
			Drain Pan Options			Mechanical Options	Coil Options	
			Electric	Hot Gas Loop	Double Wall Insulated	TXV	ElectroFin Coil	Bronz-Glow
Hot Gas Defrost Models with Totally Enclosed VFD Approved Motors - 208-230/3/60								
-	HHG450SA	13,848	Standard	552	Call Factory	987	Call Factory	Call Factory
-	HHG550SA	16,059	Standard	552	Call Factory	987	Call Factory	Call Factory
-	HHG640SA	17,776	Standard	552	Call Factory	987	Call Factory	Call Factory
-	HHG740SA	20,932	Standard	552	Call Factory	987	Call Factory	Call Factory
-	HHG810SA	25,177	Standard	552	Call Factory	1,170	Call Factory	Call Factory
-	HHG950SA	27,858	Standard	552	Call Factory	1,170	Call Factory	Call Factory
-	HHG1020SA	28,710	Standard	986	Call Factory	1,170	Call Factory	Call Factory
-	HHG1200SA	32,967	Standard	986	Call Factory	1,170	Call Factory	Call Factory
-	HHG1390SA	36,121	Standard	986	Call Factory	1,442	Call Factory	Call Factory
-	HHG1650SA	44,165	Standard	986	Call Factory	1,442	Call Factory	Call Factory
-	HHG2120SB	55,626	Standard	1,418	Call Factory	1,442	Call Factory	Call Factory
-	HHF400SA	13,062	Standard	552	Call Factory	987	Call Factory	Call Factory
-	HHF480SA	15,743	Standard	552	Call Factory	987	Call Factory	Call Factory
-	HHF560SA	17,620	Standard	552	Call Factory	987	Call Factory	Call Factory
-	HHF650SA	19,510	Standard	552	Call Factory	987	Call Factory	Call Factory
-	HHF710SA	21,390	Standard	552	Call Factory	1,170	Call Factory	Call Factory
-	HHF840SA	27,541	Standard	552	Call Factory	1,170	Call Factory	Call Factory
-	HHF890SA	28,710	Standard	986	Call Factory	1,170	Call Factory	Call Factory
-	HHF1050SA	32,337	Standard	986	Call Factory	1,170	Call Factory	Call Factory
-	HHF1220SA	36,121	Standard	986	Call Factory	1,442	Call Factory	Call Factory
-	HHF1440SA	45,113	Standard	986	Call Factory	1,442	Call Factory	Call Factory
-	HHF1860SB	54,683	Standard	1,418	Call Factory	1,442	Call Factory	Call Factory
Hot Gas Defrost Models with Totally Enclosed VFD Approved Motors - 460/3/60								
-	HHG450SA	13,848	Standard	552	Call Factory	987	Call Factory	Call Factory
-	HHG550SA	16,059	Standard	552	Call Factory	987	Call Factory	Call Factory
-	HHG640SA	17,776	Standard	552	Call Factory	987	Call Factory	Call Factory
-	HHG740SA	20,932	Standard	552	Call Factory	987	Call Factory	Call Factory
-	HHG810SA	25,177	Standard	552	Call Factory	1,170	Call Factory	Call Factory
-	HHG950SA	27,858	Standard	552	Call Factory	1,170	Call Factory	Call Factory
-	HHG1020SA	28,710	Standard	986	Call Factory	1,170	Call Factory	Call Factory
-	HHG1200SA	32,967	Standard	986	Call Factory	1,170	Call Factory	Call Factory
-	HHG1390SA	36,121	Standard	986	Call Factory	1,442	Call Factory	Call Factory
-	HHG1650SA	44,165	Standard	986	Call Factory	1,442	Call Factory	Call Factory

Regulation Requires VFD Approved Motors!

California Energy Commission Title 24, Section 126

Effective 01/01/2010, refrigerated warehouses with a total cold storage and frozen storage area exceeding 3,000 square feet must be variable speed and controlled in response to space conditions. Single phase evaporator fan motors less than 1 HP and less than 460V must be variable speed EC motors. Exception: Evaporators served by a single compressor without unloading capability.

Notes:

- Adjustable Defrost Term/Fan Delay standard.
- Customer to supply VFD to control VFD approved motors.
- TXV = Expansion Valve
- 3 Phase Low temp motors and Stainless Steel Cabinet & Pan, Drain Pan Baffles, Electric Re-Heat Option, Dual Circuited Coils, and Copper Fin Coils are available. Contact your Sales Representative or Account Engineer for more information.

Large Unit Coolers

Hot Gas Defrost Models & Options

When Do You Choose a Configurable Model?

- Choose when there is not a standard model listed or you want to add factory-installed options.
- When ordering a configurable model, remember to specify the voltage and fan motor type.

Chandler Standard Model	Chandler Configurable Model	List Price (\$US)	Factory-Installed Options List Price Adders (\$US)					
			Drain Pan Options			Mechanical Options	Coil Options	
			Electric	Hot Gas Loop	Double Wall Insulated	TXV	ElectroFin Coil	Bronz-Glow
-	HHG2120SB	55,626	Standard	1,418	Call Factory	1,442	Call Factory	Call Factory
-	HHF400SA	13,062	Standard	552	Call Factory	987	Call Factory	Call Factory
-	HHF480SA	15,743	Standard	552	Call Factory	987	Call Factory	Call Factory
-	HHF560SA	17,620	Standard	552	Call Factory	987	Call Factory	Call Factory
-	HHF650SA	19,510	Standard	552	Call Factory	987	Call Factory	Call Factory
-	HHF710SA	21,390	Standard	552	Call Factory	1,170	Call Factory	Call Factory
-	HHF840SA	27,541	Standard	552	Call Factory	1,170	Call Factory	Call Factory
-	HHF890SA	28,710	Standard	986	Call Factory	1,170	Call Factory	Call Factory
-	HHF1050SA	32,337	Standard	986	Call Factory	1,170	Call Factory	Call Factory
-	HHF1220SA	36,121	Standard	986	Call Factory	1,442	Call Factory	Call Factory
-	HHF1440SA	45,113	Standard	986	Call Factory	1,442	Call Factory	Call Factory
-	HHF1860SB	54,683	Standard	1,418	Call Factory	1,442	Call Factory	Call Factory
Hot Gas Defrost Models with Standard Motors - 208-230/1/60								
HHG450BA	HHG450SA	12,932	Standard	552	Call Factory	987	Call Factory	Call Factory
HHG550BA	HHG550SA	15,142	Standard	552	Call Factory	987	Call Factory	Call Factory
HHF400BA	HHF400SA	12,146	Standard	552	Call Factory	987	Call Factory	Call Factory
HHF480BA	HHF480SA	14,826	Standard	552	Call Factory	987	Call Factory	Call Factory
Hot Gas Defrost Models with Standard Motors - 208-230/3/60								
HHG450CPA	HHG450SA	13,643	Standard	552	Call Factory	987	Call Factory	Call Factory
HHG550CPA	HHG550SA	15,851	Standard	552	Call Factory	987	Call Factory	Call Factory
HHG640CA	HHG640SA	16,402	Standard	552	Call Factory	987	Call Factory	Call Factory
HHG640CPA	HHG640SA	17,508	Standard	552	Call Factory	987	Call Factory	Call Factory
HHG740CA	HHG740SA	19,558	Standard	552	Call Factory	987	Call Factory	Call Factory
HHG740CPA	HHG740SA	20,662	Standard	552	Call Factory	987	Call Factory	Call Factory
HHG810CA	HHG810SA	23,345	Standard	552	Call Factory	1,170	Call Factory	Call Factory
HHG810CPA	HHG810SA	24,764	Standard	552	Call Factory	1,170	Call Factory	Call Factory
HHG950CA	HHG950SA	26,026	Standard	552	Call Factory	1,170	Call Factory	Call Factory
HHG950CPA	HHG950SA	27,442	Standard	552	Call Factory	1,170	Call Factory	Call Factory
HHG1020CPA	HHG1020SA	27,918	Standard	986	Call Factory	1,170	Call Factory	Call Factory
HHG1200CPA	HHG1200SA	32,175	Standard	986	Call Factory	1,170	Call Factory	Call Factory
HHG1390CPA	HHG1390SA	35,329	Standard	986	Call Factory	1,442	Call Factory	Call Factory
HHG1650CPA	HHG1650SA	43,373	Standard	986	Call Factory	1,442	Call Factory	Call Factory
HHG2120CPB	HHG2120SB	54,570	Standard	1,418	Call Factory	1,442	Call Factory	Call Factory
HHF400CPA	HHF400SA	12,854	Standard	552	Call Factory	987	Call Factory	Call Factory

Regulation Requires VFD Approved Motors!

California Energy Commission Title 24, Section 126

Effective 01/01/2010, refrigerated warehouses with a total cold storage and frozen storage area exceeding 3,000 square feet must be variable speed and controlled in response to space conditions. Single phase evaporator fan motors less than 1 HP and less than 460V must be variable speed EC motors. Exception: Evaporators served by a single compressor without unloading capability.

Notes:

- Adjustable Defrost Term/Fan Delay standard.
- Customer to supply VFD to control VFD approved motors.
- TXV = Expansion Valve
- 3 Phase Low temp motors and Stainless Steel Cabinet & Pan, Drain Pan Baffles, Electric Re-Heat Option, Dual Circuited Coils, and Copper Fin Coils are available. Contact your Sales Representative or Account Engineer for more information.

Large Unit Coolers

Hot Gas Defrost Models & Options

When Do You Choose a Configurable Model?

- Choose when there is not a standard model listed or you want to add factory-installed options.
- When ordering a configurable model, remember to specify the voltage and fan motor type.

Chandler Standard Model	Chandler Configurable Model	List Price (\$US)	Factory-Installed Options List Price Adders (\$US)					
			Drain Pan Options			Mechanical Options	Coil Options	
			Electric	Hot Gas Loop	Double Wall Insulated	TXV	ElectroFin Coil	Bronz-Glow
HHF480CPA	HHF480SA	15,539	Standard	552	Call Factory	987	Call Factory	Call Factory
HHF560CA	HHF560SA	16,246	Standard	552	Call Factory	987	Call Factory	Call Factory
HHF560CPA	HHF560SA	17,349	Standard	552	Call Factory	987	Call Factory	Call Factory
HHF650CA	HHF650SA	18,136	Standard	552	Call Factory	987	Call Factory	Call Factory
HHF650CPA	HHF650SA	19,241	Standard	552	Call Factory	987	Call Factory	Call Factory
HHF710CA	HHF710SA	19,558	Standard	552	Call Factory	1,170	Call Factory	Call Factory
HHF710CPA	HHF710SA	20,978	Standard	552	Call Factory	1,170	Call Factory	Call Factory
HHF840CA	HHF840SA	25,709	Standard	552	Call Factory	1,170	Call Factory	Call Factory
HHF840CPA	HHF840SA	27,125	Standard	552	Call Factory	1,170	Call Factory	Call Factory
HHF890CPA	HHF890SA	27,918	Standard	986	Call Factory	1,170	Call Factory	Call Factory
HHF1050CPA	HHF1050SA	31,545	Standard	986	Call Factory	1,170	Call Factory	Call Factory
HHF1220CPA	HHF1220SA	35,329	Standard	986	Call Factory	1,442	Call Factory	Call Factory
HHF1440CPA	HHF1440SA	44,321	Standard	986	Call Factory	1,442	Call Factory	Call Factory
HHF1860CPB	HHF1860SB	53,627	Standard	1,418	Call Factory	1,442	Call Factory	Call Factory
Hot Gas Defrost Models with Standard Motors - 460/1/60								
HHG450MA	HHG450SA	12,932	Standard	552	Call Factory	987	Call Factory	Call Factory
HHG550MA	HHG550SA	15,142	Standard	552	Call Factory	987	Call Factory	Call Factory
HHF400MA	HHF400SA	12,146	Standard	552	Call Factory	987	Call Factory	Call Factory
HHF480MA	HHF480SA	14,826	Standard	552	Call Factory	987	Call Factory	Call Factory
Hot Gas Defrost Models with Standard Motors - 460/3/60								
HHG450DPA	HHG450SA	13,643	Standard	552	Call Factory	987	Call Factory	Call Factory
HHG550DPA	HHG550SA	15,851	Standard	552	Call Factory	987	Call Factory	Call Factory
HHG640DA	HHG640SA	16,402	Standard	552	Call Factory	987	Call Factory	Call Factory
HHG640DPA	HHG640SA	17,508	Standard	552	Call Factory	987	Call Factory	Call Factory
HHG740DA	HHG740SA	19,558	Standard	552	Call Factory	987	Call Factory	Call Factory
HHG740DPA	HHG740SA	20,662	Standard	552	Call Factory	987	Call Factory	Call Factory
HHG810DA	HHG810SA	23,345	Standard	552	Call Factory	1,170	Call Factory	Call Factory
HHG810DPA	HHG810SA	24,764	Standard	552	Call Factory	1,170	Call Factory	Call Factory
HHG950DA	HHG950SA	26,026	Standard	552	Call Factory	1,170	Call Factory	Call Factory
HHG950DPA	HHG950SA	27,442	Standard	552	Call Factory	1,170	Call Factory	Call Factory
HHG1020DPA	HHG1020SA	27,918	Standard	986	Call Factory	1,170	Call Factory	Call Factory
HHG1200DPA	HHG1200SA	32,175	Standard	986	Call Factory	1,170	Call Factory	Call Factory
HHG1390DPA	HHG1390SA	35,329	Standard	986	Call Factory	1,442	Call Factory	Call Factory
HHG1650DPA	HHG1650SA	43,373	Standard	986	Call Factory	1,442	Call Factory	Call Factory

Regulation Requires VFD Approved Motors!

California Energy Commission Title 24, Section 126

Effective 01/01/2010, refrigerated warehouses with a total cold storage and frozen storage area exceeding 3,000 square feet must be variable speed and controlled in response to space conditions. Single phase evaporator fan motors less than 1 HP and less than 460V must be variable speed EC motors. Exception: Evaporators served by a single compressor without unloading capability.

Notes:

- Adjustable Defrost Term/Fan Delay standard.
- Customer to supply VFD to control VFD approved motors.
- TXV = Expansion Valve
- 3 Phase Low temp motors and Stainless Steel Cabinet & Pan, Drain Pan Baffles, Electric Re-Heat Option, Dual Circuited Coils, and Copper Fin Coils are available. Contact your Sales Representative or Account Engineer for more information.

Large Unit Coolers

Hot Gas Defrost Models & Options

When Do You Choose a Configurable Model?

- Choose when there is not a standard model listed or you want to add factory-installed options.
- When ordering a configurable model, remember to specify the voltage and fan motor type.

Chandler Standard Model	Chandler Configurable Model	List Price (\$US)	Factory-Installed Options List Price Adders (\$US)					
			Drain Pan Options			Mechanical Options	Coil Options	
			Electric	Hot Gas Loop	Double Wall Insulated	TXV	ElectroFin Coil	Bronz-Glow
HHG2120DPB	HHG2120SB	54,570	Standard	1,418	Call Factory	1,442	Call Factory	Call Factory
HHF400DPA	HHF400SA	12,854	Standard	552	Call Factory	987	Call Factory	Call Factory
HHF480DPA	HHF480SA	15,539	Standard	552	Call Factory	987	Call Factory	Call Factory
HHF560DA	HHF560SA	16,246	Standard	552	Call Factory	987	Call Factory	Call Factory
HHF560DPA	HHF560SA	17,349	Standard	552	Call Factory	987	Call Factory	Call Factory
HHF650DA	HHF650SA	18,136	Standard	552	Call Factory	987	Call Factory	Call Factory
HHF650DPA	HHF650SA	19,241	Standard	552	Call Factory	987	Call Factory	Call Factory
HHF710DA	HHF710SA	19,558	Standard	552	Call Factory	1,170	Call Factory	Call Factory
HHF710DPA	HHF710SA	20,978	Standard	552	Call Factory	1,170	Call Factory	Call Factory
HHF840DA	HHF840SA	25,709	Standard	552	Call Factory	1,170	Call Factory	Call Factory
HHF840DPA	HHF840SA	27,125	Standard	552	Call Factory	1,170	Call Factory	Call Factory
HHF890DPA	HHF890SA	27,918	Standard	986	Call Factory	1,170	Call Factory	Call Factory
HHF1050DPA	HHF1050SA	31,545	Standard	986	Call Factory	1,170	Call Factory	Call Factory
HHF1220DPA	HHF1220SA	35,329	Standard	986	Call Factory	1,442	Call Factory	Call Factory
HHF1440DPA	HHF1440SA	44,321	Standard	986	Call Factory	1,442	Call Factory	Call Factory
HHF1860DPB	HHF1860SB	53,627	Standard	1,418	Call Factory	1,442	Call Factory	Call Factory

Hot Gas Defrost Models with High CFM Motors - 208-230/3/60

-	HHG450SA	15,693	Standard	552	Call Factory	987	Call Factory	Call Factory
-	HHG550SA	17,903	Standard	552	Call Factory	987	Call Factory	Call Factory
-	HHG640SA	20,542	Standard	552	Call Factory	987	Call Factory	Call Factory
-	HHG740SA	23,698	Standard	552	Call Factory	987	Call Factory	Call Factory
-	HHG810SA	28,865	Standard	552	Call Factory	1,170	Call Factory	Call Factory
-	HHG950SA	31,546	Standard	552	Call Factory	1,170	Call Factory	Call Factory
-	HHG1020SA	31,788	Standard	986	Call Factory	1,170	Call Factory	Call Factory
-	HHG1200SA	36,045	Standard	986	Call Factory	1,170	Call Factory	Call Factory
-	HHG1390SA	39,199	Standard	986	Call Factory	1,442	Call Factory	Call Factory
-	HHG1650SA	47,243	Standard	986	Call Factory	1,442	Call Factory	Call Factory
-	HHG2120SB	59,730	Standard	1,418	Call Factory	1,442	Call Factory	Call Factory
-	HHF400SA	14,907	Standard	552	Call Factory	987	Call Factory	Call Factory
-	HHF480SA	17,587	Standard	552	Call Factory	987	Call Factory	Call Factory
-	HHF560SA	20,386	Standard	552	Call Factory	987	Call Factory	Call Factory
-	HHF650SA	22,276	Standard	552	Call Factory	987	Call Factory	Call Factory
-	HHF710SA	25,078	Standard	552	Call Factory	1,170	Call Factory	Call Factory
-	HHF840SA	31,229	Standard	552	Call Factory	1,170	Call Factory	Call Factory

Regulation Requires VFD Approved Motors!

California Energy Commission Title 24, Section 126

Effective 01/01/2010, refrigerated warehouses with a total cold storage and frozen storage area exceeding 3,000 square feet must be variable speed and controlled in response to space conditions. Single phase evaporator fan motors less than 1 HP and less than 460V must be variable speed EC motors. Exception: Evaporators served by a single compressor without unloading capability.

Notes:

- Adjustable Defrost Term/Fan Delay standard.
- Customer to supply VFD to control VFD approved motors.
- TXV = Expansion Valve
- 3 Phase Low temp motors and Stainless Steel Cabinet & Pan, Drain Pan Baffles, Electric Re-Heat Option, Dual Circuited Coils, and Copper Fin Coils are available. Contact your Sales Representative or Account Engineer for more information.

Large Unit Coolers

Hot Gas Defrost Models & Options

When Do You Choose a Configurable Model?

- Choose when there is not a standard model listed or you want to add factory-installed options.
- When ordering a configurable model, remember to specify the voltage and fan motor type.

Chandler Standard Model	Chandler Configurable Model	List Price (\$US)	Factory-Installed Options List Price Adders (\$US)					
			Drain Pan Options			Mechanical Options	Coil Options	
			Electric	Hot Gas Loop	Double Wall Insulated	TXV	ElectroFin Coil	Bronz-Glow
-	HHF890SA	31,788	Standard	986	Call Factory	1,170	Call Factory	Call Factory
-	HHF1050SA	35,415	Standard	986	Call Factory	1,170	Call Factory	Call Factory
-	HHF1220SA	39,199	Standard	986	Call Factory	1,442	Call Factory	Call Factory
-	HHF1440SA	48,191	Standard	986	Call Factory	1,442	Call Factory	Call Factory
-	HHF1860SB	58,787	Standard	1,418	Call Factory	1,442	Call Factory	Call Factory
Hot Gas Defrost Models with High CFM Motors - 460/3/60								
-	HHG450SA	15,693	Standard	552	Call Factory	987	Call Factory	Call Factory
-	HHG550SA	17,903	Standard	552	Call Factory	987	Call Factory	Call Factory
-	HHG640SA	20,542	Standard	552	Call Factory	987	Call Factory	Call Factory
-	HHG740SA	23,698	Standard	552	Call Factory	987	Call Factory	Call Factory
-	HHG810SA	28,865	Standard	552	Call Factory	1,170	Call Factory	Call Factory
-	HHG950SA	31,546	Standard	552	Call Factory	1,170	Call Factory	Call Factory
-	HHG1020SA	31,788	Standard	986	Call Factory	1,170	Call Factory	Call Factory
-	HHG1200SA	36,045	Standard	986	Call Factory	1,170	Call Factory	Call Factory
-	HHG1390SA	39,199	Standard	986	Call Factory	1,442	Call Factory	Call Factory
-	HHG1650SA	47,243	Standard	986	Call Factory	1,442	Call Factory	Call Factory
-	HHG2120SB	59,730	Standard	1,418	Call Factory	1,442	Call Factory	Call Factory
-	HHF400SA	14,907	Standard	552	Call Factory	987	Call Factory	Call Factory
-	HHF480SA	17,587	Standard	552	Call Factory	987	Call Factory	Call Factory
-	HHF560SA	20,386	Standard	552	Call Factory	987	Call Factory	Call Factory
-	HHF650SA	22,276	Standard	552	Call Factory	987	Call Factory	Call Factory
-	HHF710SA	25,078	Standard	552	Call Factory	1,170	Call Factory	Call Factory
-	HHF840SA	31,229	Standard	552	Call Factory	1,170	Call Factory	Call Factory
-	HHF890SA	31,788	Standard	986	Call Factory	1,170	Call Factory	Call Factory
-	HHF1050SA	35,415	Standard	986	Call Factory	1,170	Call Factory	Call Factory
-	HHF1220SA	39,199	Standard	986	Call Factory	1,442	Call Factory	Call Factory
-	HHF1440SA	48,191	Standard	986	Call Factory	1,442	Call Factory	Call Factory
-	HHF1860SB	58,787	Standard	1,418	Call Factory	1,442	Call Factory	Call Factory

Regulation Requires VFD Approved Motors!

California Energy Commission Title 24, Section 126

Effective 01/01/2010, refrigerated warehouses with a total cold storage and frozen storage area exceeding 3,000 square feet must be variable speed and controlled in response to space conditions. Single phase evaporator fan motors less than 1 HP and less than 460V must be variable speed EC motors. Exception: Evaporators served by a single compressor without unloading capability.

Notes:

- Adjustable Defrost Term/Fan Delay standard.
- Customer to supply VFD to control VFD approved motors.
- TXV = Expansion Valve
- 3 Phase Low temp motors and Stainless Steel Cabinet & Pan, Drain Pan Baffles, Electric Re-Heat Option, Dual Circuited Coils, and Copper Fin Coils are available. Contact your Sales Representative or Account Engineer for more information.

Large Unit Coolers

Hot Gas Reverse Cycle Kits

Need a Hot Gas Reverse Cycle Kit?

Need help? Please contact your local Sales Representative or Account Engineer for assistance.

Kits for Models with Standard Electric Pan

Chandler Hot Gas Models Used On		Factory-Installed		Shipped-Loose	
HHG	HHF	Option Code	List Price Adder (\$US)	Part Number	List Price (\$US)
450 - 550	400 - 480	RCK.EP-1	2,946	89910901	828
640 - 950	560 - 840	RCK.EP-2	2,946	89910902	948
1020	890	RCK.EP-3	2,946	89910903	1,182
1200	1050	RCK.EP-4	4,296	89910904	1,312
1390	1220	RCK.EP-5	4,296	89911101	1,461
1650 - 2120	1440 - 1860	RCK.EP-6	4,296	89911301	1,461

Notes:

- Factory-installed kits include expansion valve and TXV bypass check valve assembly. Specify valve model style, refrigerant, and SST on order.
- Shipped-loose kits include one check valve and piping for TXV bypass around expansion valve. Kit does not include expansion valve.

Kits for Models with Optional Hot Gas Pan

Chandler Hot Gas Models Used On		Factory-Installed		Shipped-Loose	
HHG	HHF	Option Code	List Price Adder (\$US)	Part Number	List Price (\$US)
450 - 550	400 - 480	RCK.HGP-1	4,506	89910905	2,051
640 - 950	560 - 840	RCK.HGP-2	5,058	89910906	2,605
1020	890	RCK.HGP-3	5,294	89910907	2,840
1200	1050	RCK.HGP-4	5,893	89910908	3,193
1390	1220	RCK.HGP-5	7,955	89911102	5,009
1650	1440	RCK.HGP-6	8,458	89911302	5,513
2120	1860	RCK.HGP-7	8,474	89911303	5,529

Notes:

- Factory installed kits included expansion valve, TXV Bypass check valve assembly, suction check valve assembly, and drain pan check valve assembly. Kit does not include hot gas pan price. Specify valve model style, refrigerant, and SST on order.
- Shipped-loose kits include one check valve and piping for TXV bypass around expansion valve, one check valve and piping for drain pan assembly and one check valve and piping for suction assembly. Kit does not include Hot gas pan pricing. Kit does not include expansion valve.

Large Unit Coolers

Shipped-Loose Accessories

A wide range of shipped-loose accessories are available to order. Can't Find Something or need help selecting the appropriate accessory for your unit? Please contact your local Sales Representative or Account Engineer for assistance.

Part Number	Description	List Price (\$US)	Notes
Room Thermostats			
2891040	Room Thermostat	264	-
28963101	Electronic Room Thermostat	334	-
Extended Throw			
89910701	Collar for Air Throw (24" fan)	457	Must be used with wire fan guards. Must order 1 per fan.
89904401	Collar for Air Throw (30" fan)	610	Must be used with wire fan guards. Must order 1 per fan.
Defrost Controls			
21340101	Electric Defrost Timer (60 Hz)	309	-
5505-R	30-Amp Contactor	331	Use as fan or heater contactor
5738-N	50-Amp Contactor	376	Use as fan or heater contactor
Check Valves			
5731F	1 5/8" Suction Line Check Valve	753	-
2933034	2 1/8" Suction Line Check Valve	1,542	-
2933042	2 5/8" Suction Line Check Valve	1,776	-
Drain Line Heaters			
5508Q	6 ft. Drain Line heater (208-230V, 42 Watts)	134	-
5594P	12 ft. Drain Line heater (208-230V, 84 Watts)	146	-
5595P	18 ft. Drain Line heater (208-230V, 126 Watts)	173	-
5596P	36 ft. Drain Line heater (208-230V, 252 Watts)	265	-
5597P	60 ft. Drain Line heater (208-230V, 420 Watts)	489	-
Heat Exchangers			
24200009	Heat Exchanger used on 520 - 630 Air Defrost Models, 450 - 550 Electric & Hot Gas Defrost Models (6 FPI), and 400 - 480 Electric & Hot Gas Defrost Models (4.5 FPI)	517	7/8" Liquid Connection OD, 1 5/8" Suction Connection OD, 16" Length, 4lbs Approx. Ship Wt.
24200010	Heat Exchanger used on 750 - 850 Air Defrost Models	794	7/8" Liquid Connection OD, 2 1/8" Suction Connection OD, 17" Length, 6lbs Approx. Ship Wt.
24200011	Heat Exchanger used on 930 - 1400 Air Defrost Models, 640 Electric & Hot Gas Defrost Models (6 FPI), and 560 - 650 Electric & Hot Gas Defrost Models (4.5 FPI)	1,089	7/8" Liquid Connection OD, 2 1/8" Suction Connection OD, 25" Length, 8lbs Approx. Ship Wt.
24200012	Heat Exchanger used on 740 - 1390 Electric & Hot Gas Defrost Models (6 FPI), and 710 - 1220 Electric & Hot Gas Defrost Models (4.5 FPI)	1,278	1 1/8" Liquid Connection OD, 2 1/8" Suction Connection OD, 27" Length, 9lbs Approx. Ship Wt.
24200013	Heat Exchanger used on 1610 - 2440 Air Defrost Models	1,374	1 1/8" Liquid Connection OD, 2 5/8" Suction Connection OD, 28" Length, 10lbs Approx. Ship Wt.
24200015	Heat Exchanger used on 2500 - 2780 Air Defrost Models, 1650 - 2120 Electric & Hot Gas Defrost Models (6 FPI), and 1440 - 1860 Electric & Hot Gas Defrost Models (4.5 FPI)	1,854	1 1/8" Liquid Connection OD, 2 5/8" Suction Connection OD, 28" Length, 10lbs Approx. Ship Wt.

Large Unit Coolers

Shipped-Loose Accessories

Expansion Valves (TXV)

When placing order, please specify refrigerant type, saturated suction temperature (SST), liquid temperature, and room temperature.

Part Number	List Price (\$US)	Capacity Range (BTUH)
TXV036	307	24,000 BTUH to 36,000 BTUH
TXV060	497	36,000 BTUH to 60,000 BTUH
TXV120	631	60,000 BTUH to 120,000 BTUH
TXV360	795	120,000 BTUH to 360,000 BTUH
TXV540	1,153	360,000 BTUH to 540,000 BTUH

Liquid-line Solenoid Valves (LLSV)

Part Number	List Price (\$US)	Size	Capacity Range (R-404A)	
			Medium Temperature Application (BTUH)	Low Temperature Application (BTUH)
5766Y	316	1/2	51,000 BTUH to 72,000 BTUH	44,000 BTUH to 62,000 BTUH
5768Y	420	5/8	72,000 BTUH to 144,000 BTUH	62,000 BTUH to 120,000 BTUH
5804E	519	7/8	144,000 BTUH to 216,000 BTUH	120,000 BTUH to 185,000 BTUH
5803E	649	1 1/8	216,000 BTUH to 380,000 BTUH	185,000 BTUH to 315,000 BTUH
29318011	316	3/8	24,000 BTUH to 44,000 BTUH	21,000 BTUH to 38,000 BTUH
29318012	316	1/2	36,000 BTUH to 51,000 BTUH	31,000 BTUH to 44,000 BTUH
5825N	937	1 1/8	380,000 BTUH to 652,000 BTUH	315,000 BTUH to 540,000 BTUH

1/2 - 6 HP Horizontal Air Discharge

Overview



Product Description

The 1/2 through 6 HP line of air-cooled condensing units with HyperCore™ microchannel coil technology is ideal for convenience store, restaurant and other commercial applications. Available with hermetic, Scroll®, or semi-hermetic compressors and indoor or outdoor models, this line is a good fit for many applications.

Opting for the Beacon II™ Refrigeration System with Smart Defrost, factory-installed Smart Defrost Kit™ (SDK), or Variable Speed EC (VSEC) motor with Orbus™ Controller increases energy efficiency and qualifies this product for the **E Solutions™** product portfolio.

Certifications



Cabinet & Construction

- HyperCore microchannel coil technology standard on most models.
- Painted steel cabinets for superior strength and corrosion protection
- Heavy duty steel raised base with 1-1/2" legs
- Fan guards and wiring conduit on indoor models

Serviceability

- Suction service valves for hermetic and scroll compressors located outside the cabinet for quick installations. Semi-hermetic compressor models have a suction valve on the compressor and an access fitting on the suction line entering the cabinet.
- Receiver with fusible plug, liquid shutoff valve and charging port is standard
- Large electrical panel for ease of access
- Prefabricated wiring harnesses for tight crimp connections and consistent labeling
- Unit stays on if the hood is removed for servicing
- Sight glass is easily viewable

Quality

- All units are completely leak tested in a helium environment, bump tested and allowed to cycle off on the high and low pressure control. Each unit has a copy of the run data shipped inside the electrical panel
- Electrical circuits are completely checked for continuity
- Piping is laid out to minimize stress and vibration and is pre-bent to eliminate leaks
- Encapsulated, auto-reset, high and low pressure controls to eliminate leaks (standard on all high and medium temperature models, adjustable low pressure control standard on low temperature models)

Components

Fan

- Specifically matched with motor and coil to attain maximum air movement and cooling

Motor

- Rated for 50 and 60 cycle application
- Standard PSC or optional Variable Speed EC (VSEC) with Orbus™ Controller

Compressor

- Wide variety of compressors including: hermetic, semi-hermetic and scroll. R-22 and R-404A/507 available for both medium and low temperature applications
- Spring-mounted compressors with vibration eliminators on all 1-1/2 to 6 HP semi-hermetic compressors; 1/2 to 1 HP compressors are rigid mounted and have a discharge loop
- Discharge service valves come standard on all units including hermetics

Nomenclature

C	H	T	030	L	6	C	F
Model	Compressor	Application	Equiv. HP	Operating Range	Refrigerant	Voltage	Identifier
C = Chandler	H = Hermetic S = Semi-herm. Z = Scroll	T = Outdoor N = Indoor S = Beacon II™	005 = 1/2 HP 008/009 = 3/4HP 010,011 = 1 HP 01* = 1-1/2HP 02* = 2HP 03* = 3HP 04* = 4HP 05* = 5HP 060 = 6HP	H = High L = Low M = Medium E = Extra Low X = Extended Medium	2 = R-22 6 = R-404A/507	B = 208-230/1/60 C = 208-230/3/60 D = 460/3/60	F = Stockable Model

1/2 - 6 HP Horizontal Air Discharge Standard & Configurable Models Pricing

Standard Outdoor

- Prepainted galvanized cabinet
- Head pressure control valve
- Crankcase heater
- Fixed low pressure control for H2, M6, & H6 models.
- Adjustable low pressure control for L6 & X6 models
- Liquid-line drier assembly
- Electric defrost timer on 011-035L6 and electric defrost kit on 040-060L6

Configurable Models

Outdoor (T)

- Prepainted galvanized cabinet
- Head pressure control valve
- Crankcase heater
- Fixed low pressure control for H2, M6, & H6 models.
- Adjustable low pressure control for L6 & X6 models

Indoor (N)

- No cabinet hood
- Fan guards
- Wiring conduit
- Fixed low pressure control for H2, M6, & H6 models.
- Adjustable low pressure control for L6 & X6 models

Beacon II™ Outdoor (S)

- Outdoor Unit with hood
- Head pressure control valve
- Wired for Beacon II™ control
- Beacon II™ fan cycling for two fan units only

Need to customize? Look at the factory-installed options starting on page 89

Standard Outdoor		Outdoor (T)		Indoor (N)		Beacon II™ Outdoor (S)		Voltage	Cabinet	Notes
Chandler Model	List Price (\$US)	Chandler Model	List Price (\$US)	Chandler Model	List Price (\$US)	Chandler Model	List Price (\$US)			
Hermetic High Temperature (R-404A/507)										
CHT005H6BF	5,671	CHT005H6B	5,163	CHN005H6B	4,098	CHS005H6B	5,590	208-230/1/60	A	-
CHT009H6BF	6,126	CHT009H6B	5,618	CHN009H6B	4,324	CHS009H6B	6,042	208-230/1/60	A	-
CHT010H6BF	6,447	CHT010H6B	5,939	CHN010H6B	4,642	CHS010H6B	6,364	208-230/1/60	A	See footnote 1
CHT010H6CF	6,369	CHT010H6C	5,861	CHN010H6C	4,711	CHS010H6C	6,285	208-230/3/60	A	See footnote 1
CHT015H6BF	6,994	CHT015H6B	6,486	CHN015H6B	5,182	CHS015H6B	7,282	208-230/1/60	B	-
CHT015H6CF	6,970	CHT015H6C	6,462	CHN015H6C	5,160	CHS015H6C	7,256	208-230/3/60	B	-
CHT025H6BF	7,683	CHT025H6B	7,175	CHN025H6B	6,134	CHS025H6B	7,821	208-230/1/60	B	-
CHT025H6CF	7,502	CHT025H6C	6,994	CHN025H6C	5,992	CHS025H6C	7,641	208-230/3/60	B	-
CHT032H6BF	8,476	CHT032H6B	7,888	CHN032H6B	6,947	CHS032H6B	8,312	208-230/1/60	D	-
CHT032H6CF	8,297	CHT032H6C	7,709	CHN032H6C	6,766	CHS032H6C	8,135	208-230/3/60	D	-
CHT040H6KF	10,035	CHT040H6K	9,447	CHN040H6K	8,539	CHS040H6K	9,869	230/3/60	D	-
CHT050H6KF	10,877	CHT050H6K	10,289	CHN050H6K	9,380	CHS050H6K	10,714	230/3/60	D	-
Hermetic Extended Temperature (R-404A/507)										
CHT005X6BFM	5,822	CHT005X6B	5,314	CHN005X6B	4,249	CHS005X6B	5,739	208-230/1/60	A	See footnote 2
CHT008X6BFM	5,873	CHT008X6B	5,365	CHN008X6B	4,285	CHS008X6B	5,790	208-230/1/60	A	See footnote 2
CHT009X6BFM	6,275	CHT009X6B	5,767	CHN009X6B	4,474	CHS009X6B	6,192	208-230/1/60	A	See footnote 2
CHT010X6BFM	6,597	CHT010X6B	6,089	CHN010X6B	4,792	CHS010X6B	6,514	208-230/1/60	A	See footnote 1, 2
CHT010X6CFM	6,517	CHT010X6C	6,009	CHN010X6C	4,711	CHS010X6C	6,435	208-230/3/60	A	See footnote 1, 2
CHT005X6BFMT	6,362	-	-	-	-	-	-	208-230/1/60	A	See footnote 3
CHT008X6BFMT	6,413	-	-	-	-	-	-	208-230/1/60	A	See footnote 3
CHT009X6BFMT	6,815	-	-	-	-	-	-	208-230/1/60	A	See footnote 3
CHT010X6BFMT	7,137	-	-	-	-	-	-	208-230/1/60	A	See footnote 1, 3
CHT010X6CFMT	7,057	-	-	-	-	-	-	208-230/3/60	A	See footnote 1, 3
Hermetic Extended/Medium Temperature (R-404A/507/22)										
CHT015X6BFM	7,144	CHT015X6B	6,636	CHN015X6B	5,330	CHS015X6B	7,430	208-230/1/60	B	See footnote 2
CHT015X6CFM	7,120	CHT015X6C	6,612	CHN015X6C	5,310	CHS015X6C	7,406	208-230/3/60	B	See footnote 2
CHT020X6BFM	7,527	CHT020X6B	7,019	CHN020X6B	5,713	CHS020X6B	7,815	208-230/1/60	B	See footnote 2
CHT020X6CFM	7,676	CHT020X6C	7,168	CHN020X6C	5,865	CHS020X6C	7,962	208-230/3/60	B	See footnote 2
CHT025X6BFM	8,135	CHT025X6B	7,627	CHN025X6B	6,283	CHS025X6B	7,971	208-230/1/60	B	See footnote 2
CHT025X6CFM	7,992	CHT025X6C	7,484	CHN025X6C	6,142	CHS025X6C	7,790	208-230/3/60	B	See footnote 2
-	-	CHT025X6D	8,383	CHN025X6D	7,039	CHS025X6D	8,706	460/3/60	B	See footnote 2

Notes:

1. Not Suitable for R-507
2. Suction accumulator is available as an option.
3. Includes electric defrost timer.
4. Includes air defrost timer. Suitable for medium temperature applications only.
5. Includes standard liquid line required for liquid injection. Can also be used for R-22 medium and low temperature applications.
6. Model provided with Round Tube Plate Fin (RTPF) condenser coil instead of microchannel coil.

1/2 - 6 HP Horizontal Air Discharge Standard & Configurable Models Pricing

Standard Outdoor		Outdoor (T)		Indoor (N)		Beacon II™ Outdoor (S)		Voltage	Cabinet	Notes
Chandler Model	List Price (\$US)	Chandler Model	List Price (\$US)	Chandler Model	List Price (\$US)	Chandler Model	List Price (\$US)			
CHT030X6BFM	8,167	CHT030X6B	7,579	CHN030X6B	6,637	CHS030X6B	8,004	208-230/1/60	D	See footnote 2
CHT030X6CFM	7,988	CHT030X6C	7,400	CHN030X6C	6,461	CHS030X6C	7,823	208-230/3/60	D	See footnote 2
-	-	CHT030X6D	8,313	CHN030X6D	7,374	CHS030X6D	8,739	460/3/60	D	See footnote 2
CHT032X6BFM	8,625	CHT032X6B	8,037	CHN032X6B	7,098	CHS032X6B	8,462	208-230/1/60	D	See footnote 2
CHT032X6CFM	8,447	CHT032X6C	7,859	CHN032X6C	6,915	CHS032X6C	8,284	208-230/3/60	D	See footnote 2
-	-	CHT032X6D	8,794	CHN032X6D	7,855	CHS032X6D	9,221	460/3/60	D	See footnote 2
CHT040X6BFM	10,399	CHT040X6B	9,811	CHN040X6B	8,900	CHS040X6B	10,234	208-230/1/60	D	See footnote 2
CHT040X6CFM	10,185	CHT040X6C	9,597	CHN040X6C	8,687	CHS040X6C	10,020	208-230/3/60	D	See footnote 2
-	-	CHT040X6D	10,663	CHN040X6D	9,755	CHS040X6D	11,089	460/3/60	D	See footnote 2
CHT050X6BFM	11,259	CHT050X6B	10,671	CHN050X6B	9,760	CHS050X6B	11,094	208-230/1/60	D	See footnote 2
CHT050X6CFM	11,026	CHT050X6C	10,438	CHN050X6C	9,530	CHS050X6C	10,864	208-230/3/60	D	See footnote 2
-	-	CHT050X6D	11,597	CHN050X6D	10,687	CHS050X6D	12,020	460/3/60	D	See footnote 2
CHT015X6BFMT	7,684	-	-	-	-	-	-	208-230/1/60	B	See footnote 3
CHT015X6CFMT	7,660	-	-	-	-	-	-	208-230/3/60	B	See footnote 3
CHT020X6BFMT	8,067	-	-	-	-	-	-	208-230/1/60	B	See footnote 3
CHT020X6CFMT	8,216	-	-	-	-	-	-	208-230/3/60	B	See footnote 3
CHT025X6BFMT	8,675	-	-	-	-	-	-	208-230/1/60	B	See footnote 3
CHT025X6CFMT	8,532	-	-	-	-	-	-	208-230/3/60	B	See footnote 3
CHT030X6BFMT	8,707	-	-	-	-	-	-	208-230/1/60	D	See footnote 4
CHT030X6CFMT	8,528	-	-	-	-	-	-	208-230/3/60	D	See footnote 4
CHT032X6BFMT	9,165	-	-	-	-	-	-	208-230/1/60	D	See footnote 4
CHT032X6CFMT	8,987	-	-	-	-	-	-	208-230/3/60	D	See footnote 4
CHT040X6BFMT	10,939	-	-	-	-	-	-	208-230/1/60	D	See footnote 4
CHT040X6CFMT	10,724	-	-	-	-	-	-	208-230/3/60	D	See footnote 4
CHT050X6BFMT	11,800	-	-	-	-	-	-	208-230/1/60	D	See footnote 4
CHT050X6CFMT	11,566	-	-	-	-	-	-	208-230/3/60	D	See footnote 4
Hermetic Low Temperature (R-404A/507)										
CHT011L6BF	6,964	CHT011L6B	5,916	CHN011L6B	4,830	CHS011L6B	6,341	208-230/1/60	A	-
CHT011L6CF	7,080	CHT011L6C	6,032	CHN011L6C	4,925	CHS011L6C	6,456	208-230/3/60	A	-
CHT014L6BF	6,991	CHT014L6B	5,943	CHN014L6B	4,861	CHS014L6B	6,368	208-230/1/60	A	-
CHT014L6CF	7,124	CHT014L6C	6,076	CHN014L6C	4,976	CHS014L6C	6,502	208-230/3/60	A	-
CHT019L6BF	7,316	CHT019L6B	6,268	CHN019L6B	5,074	CHS019L6B	6,878	208-230/1/60	B	-
CHT019L6CF	7,543	CHT019L6C	6,495	CHN019L6C	5,290	CHS019L6C	7,092	208-230/3/60	B	-
CHT025L6BF	7,638	CHT025L6B	6,590	CHN025L6B	5,284	CHS025L6B	7,384	208-230/1/60	B	-
CHT025L6CF	7,960	CHT025L6C	6,912	CHN025L6C	5,603	CHS025L6C	7,706	208-230/3/60	B	-
CHT031L6BF	10,058	CHT031L6B	8,930	CHN031L6B	8,041	CHS031L6B	9,726	208-230/1/60	C	-
CHT031L6CF	10,195	CHT031L6C	9,067	CHN031L6C	8,176	CHS031L6C	9,862	208-230/3/60	C	-
-	-	CHT031L6D	9,558	CHN031L6D	8,667	CHS031L6D	10,352	460/3/60	C	-
Hermetic High Temperature (R-22)										
CHT005H2BF	6,019	CHT005H2B	5,511	CHN005H2B	4,320	CHS005H2B	5,978	208-230/1/60	A	-
CHT010H2BF	6,807	CHT010H2B	6,299	CHN010H2B	4,802	CHS010H2B	6,766	208-230/1/60	A	-
Scroll Medium Temperature (R-404A/507)										
-	-	CZT020M6B	7,890	CZN020M6B	7,266	CZS020M6B	8,685	208-230/1/60	C	-

Notes:

1. Not Suitable for R-507
2. Suction accumulator is available as an option.
3. Includes electric defrost timer.
4. Includes air defrost timer. Suitable for medium temperature applications only.
5. Includes standard liquid line required for liquid injection. Can also be used for R-22 medium and low temperature applications.
6. Model provided with Round Tube Plate Fin (RTPF) condenser coil instead of microchannel coil.

1/2 - 6 HP Horizontal Air Discharge Standard & Configurable Models Pricing

Standard Outdoor		Outdoor (T)		Indoor (N)		Beacon II™ Outdoor (S)		Voltage	Cabinet	Notes
Chandler Model	List Price (\$US)	Chandler Model	List Price (\$US)	Chandler Model	List Price (\$US)	Chandler Model	List Price (\$US)			
-	-	CZT020M6C	7,952	CZN020M6C	7,326	CZS020M6C	8,748	208-230/3/60	C	-
-	-	CZT020M6D	8,411	CZN020M6D	7,782	CZS020M6D	9,204	460/3/60	C	-
-	-	CZT025M6B	8,059	CZN025M6B	7,431	CZS025M6B	8,853	208-230/1/60	C	-
-	-	CZT025M6C	8,179	CZN025M6C	7,557	CZS025M6C	8,975	208-230/3/60	C	-
-	-	CZT025M6D	8,642	CZN025M6D	8,014	CZS025M6D	9,437	460/3/60	C	-
-	-	CZT030M6B	8,702	CZN030M6B	8,073	CZS030M6B	9,125	208-230/1/60	D	-
-	-	CZT030M6C	8,871	CZN030M6C	8,246	CZS030M6C	9,296	208-230/3/60	D	-
-	-	CZT030M6D	9,259	CZN030M6D	8,630	CZS030M6D	9,681	460/3/60	D	-
-	-	CZT035M6B	9,663	CZN035M6B	9,035	CZS035M6B	10,087	208-230/1/60	D	-
-	-	CZT035M6C	9,832	CZN035M6C	9,207	CZS035M6C	10,258	208-230/3/60	D	-
-	-	CZT035M6D	10,219	CZN035M6D	9,591	CZS035M6D	10,645	460/3/60	D	-
-	-	CZT045M6B	10,494	CZN045M6B	9,865	CZS045M6B	10,917	208-230/1/60	D	-
-	-	CZT045M6C	10,666	CZN045M6C	10,039	CZS045M6C	11,092	208-230/3/60	D	-
-	-	CZT045M6D	11,051	CZN045M6D	10,469	CZS045M6D	11,476	460/3/60	D	-
-	-	CZT055M6B	11,177	CZN055M6B	10,550	CZS055M6B	11,602	208-230/1/60	D	-
-	-	CZT055M6C	11,351	CZN055M6C	10,723	CZS055M6C	11,774	208-230/3/60	D	-
-	-	CZT055M6D	11,736	CZN055M6D	11,105	CZS055M6D	12,161	460/3/60	D	-
CZT060M6CF	13,301	CZT060M6C	12,713	CZN060M6C	12,073	CZS060M6C	13,138	208-230/3/60	D	See footnote 6
-	-	CZT060M6D	13,100	CZN060M6D	12,456	CZS060M6D	13,523	460/3/60	D	See footnote 6
Scroll Low Temperature (R-404A/507)										
-	-	CZT020L6B	9,584	CZN020L6B	8,958	CZS020L6B	10,380	208-230/1/60	C	See footnote 5
-	-	CZT020L6C	9,767	CZN020L6C	9,140	CZS020L6C	10,564	208-230/3/60	C	See footnote 5
-	-	CZT020L6D	10,250	CZN020L6D	9,623	CZS020L6D	11,045	460/3/60	C	See footnote 5
-	-	CZT025L6B	9,762	CZN025L6B	9,136	CZS025L6B	10,559	208-230/1/60	C	See footnote 5
-	-	CZT025L6C	9,936	CZN025L6C	9,308	CZS025L6C	10,732	208-230/3/60	C	See footnote 5
-	-	CZT025L6D	10,422	CZN025L6D	9,791	CZS025L6D	11,216	460/3/60	C	See footnote 5
-	-	CZT030L6B	10,108	CZN030L6B	9,480	CZS030L6B	10,905	208-230/1/60	C	See footnote 5
CZT030L6CF	10,836	CZT030L6C	10,296	CZN030L6C	9,667	CZS030L6C	11,091	208-230/3/60	C	See footnote 5
-	-	CZT030L6D	10,784	CZN030L6D	10,157	CZS030L6D	11,579	460/3/60	C	See footnote 5
CZT035L6CF	11,810	CZT035L6C	11,270	CZN035L6C	10,644	CZS035L6C	12,064	208-230/3/60	C	See footnote 5
-	-	CZT035L6D	11,762	CZN035L6D	11,133	CZS035L6D	12,554	460/3/60	C	See footnote 5
-	-	CZT045L6B	12,433	CZN045L6B	11,808	CZS045L6B	12,857	208-230/1/60	D	See footnote 5
CZT045L6CF	13,374	CZT045L6C	12,604	CZN045L6C	11,976	CZS045L6C	13,028	208-230/3/60	D	See footnote 5
-	-	CZT045L6D	12,989	CZN045L6D	12,359	CZS045L6D	13,411	460/3/60	D	See footnote 5
-	-	CZT055L6B	12,818	CZN055L6B	12,190	CZS055L6B	13,243	208-230/1/60	D	See footnote 5
CZT055L6CF	13,759	CZT055L6C	12,989	CZN055L6C	12,359	CZS055L6C	13,411	208-230/3/60	D	See footnote 5
-	-	CZT055L6D	13,375	CZN055L6D	12,749	CZS055L6D	13,798	460/3/60	D	See footnote 5
CZT060L6CF	14,582	CZT060L6C	13,812	CZN060L6C	13,186	CZS060L6C	14,236	208-230/3/60	D	See footnote 5
-	-	CZT060L6D	14,196	CZN060L6D	13,570	CZS060L6D	14,621	460/3/60	D	See footnote 5
-	-	CZT035L6B	11,096	CZN035L6B	10,469	CZS035L6B	11,891	208-230/1/60	C	See footnote 5
Semi-Hermetic Medium Temperature (R-404A/507)										
-	-	CST010M6B	7,562	CSN010M6B	6,568	CSS010M6B	7,987	208-230/1/60	A	-
-	-	CST010M6C	7,582	CSN010M6C	6,591	CSS010M6C	8,006	208-230/3/60	A	-

Notes:

1. Not Suitable for R-507
2. Suction accumulator is available as an option.
3. Includes electric defrost timer.
4. Includes air defrost timer. Suitable for medium temperature applications only.
5. Includes standard liquid line required for liquid injection. Can also be used for R-22 medium and low temperature applications.
6. Model provided with Round Tube Plate Fin (RTPF) condenser coil instead of microchannel coil.

Air-Cooled Condensing Units

1/2 - 6 HP Horizontal Air Discharge Standard & Configurable Models Pricing

Standard Outdoor		Outdoor (T)		Indoor (N)		Beacon II™ Outdoor (S)		Voltage	Cabinet	Notes
Chandler Model	List Price (\$US)	Chandler Model	List Price (\$US)	Chandler Model	List Price (\$US)	Chandler Model	List Price (\$US)			
-	-	CST020M6B	9,855	CSN020M6B	8,830	CSS020M6B	10,650	208-230/1/60	B	See footnote 6
-	-	CST020M6C	9,705	CSN020M6C	8,664	CSS020M6C	10,499	208-230/3/60	B	See footnote 6
-	-	CST021M6C	10,793	CSN021M6C	9,754	CSS021M6C	11,588	208-230/3/60	B	See footnote 6
-	-	CST021M6D	11,397	CSN021M6D	10,356	CSS021M6D	12,192	460/3/60	B	See footnote 6
-	-	CST030M6C	12,873	CSN030M6C	11,961	CSS030M6C	13,299	208-230/3/60	D	See footnote 6
-	-	CST030M6D	13,471	CSN030M6D	12,562	CSS030M6D	13,899	460/3/60	D	See footnote 6
Semi-Hermetic Low Temperature (R-404A/507)										
-	-	CST005L6B	6,682	CSN005L6B	5,872	CSS005L6B	7,105	208-230/1/60	A	-
-	-	CST005L6C	6,764	CSN005L6C	5,954	CSS005L6C	7,186	208-230/3/60	A	-
-	-	CST008L6B	7,223	CSN008L6B	6,229	CSS008L6B	7,649	208-230/1/60	A	-
-	-	CST008L6C	7,241	CSN008L6C	6,248	CSS008L6C	7,665	208-230/3/60	A	-
-	-	CST010L6B	7,714	CSN010L6B	6,724	CSS010L6B	8,136	208-230/1/60	A	-
-	-	CST010L6C	7,722	CSN010L6C	6,737	CSS010L6C	8,146	208-230/3/60	A	-
CST015L6BF	10,178	CST015L6B	9,130	CSN015L6B	8,113	CSS015L6B	9,924	208-230/1/60	B	See footnote 6
CST015L6CF	10,142	CST015L6C	9,094	CSN015L6C	8,079	CSS015L6C	9,890	208-230/3/60	B	See footnote 6
-	-	CST015L6D	10,740	CSN015L6D	9,713	CSS015L6D	11,534	460/3/60	B	See footnote 6
CST020L6CF	11,882	CST020L6C	10,834	CSN020L6C	9,801	CSS020L6C	11,628	208-230/3/60	B	See footnote 6
CST021L6BF	12,320	CST021L6B	11,272	CSN021L6B	10,238	CSS021L6B	12,069	208-230/1/60	B	See footnote 6
CST021L6CF	12,171	CST021L6C	11,123	CSN021L6C	10,088	CSS021L6C	11,916	208-230/3/60	B	See footnote 6
-	-	CST021L6D	12,836	CSN021L6D	11,797	CSS021L6D	13,633	460/3/60	B	See footnote 6
CST030L6CF	14,018	CST030L6C	12,890	CSN030L6C	11,986	CSS030L6C	13,687	208-230/3/60	C	See footnote 6
-	-	CST030L6D	13,980	CSN030L6D	12,965	CSS030L6D	14,774	460/3/60	C	See footnote 6
Semi-Hermetic Extra Low Temperature (R-404A/507)										
CST030E6CF	14,018	CST030E6C	12,890	CSN030E6C	11,986	CSS030E6C	13,687	208-230/3/60	C	See footnote 6
-	-	CST030E6D	13,980	CSN030E6D	12,965	CSS030E6D	14,774	460/3/60	C	See footnote 6
Semi-Hermetic High Temperature (R-22)										
-	-	CST008H2B	7,621	CSN008H2B	6,515	CSS008H2B	8,092	208-230/1/60	A	-
-	-	CT008H2C	7,653	CSN008H2C	6,547	CSS008H2C	8,122	208-230/3/60	A	-
-	-	CST010H2B	8,227	CSN010H2B	7,087	CSS010H2B	8,692	208-230/1/60	A	-
-	-	CST010H2C	8,234	CSN010H2C	7,136	CSS010H2C	8,706	208-230/3/60	A	-
-	-	CST015H2B	9,906	CSN015H2B	8,756	CSS015H2B	10,784	208-230/1/60	B	See footnote 6
CST015H2CF	10,368	CST015H2C	9,860	CSN015H2C	8,712	CSS015H2C	10,738	208-230/3/60	B	See footnote 6
-	-	CST015H2D	11,704	CSN015H2D	10,552	CSS015H2D	12,584	460/3/60	B	See footnote 6
CST020H2CF	11,767	CST020H2C	11,259	CSN020H2C	10,106	CSS020H2C	12,139	208-230/3/60	B	See footnote 6
-	-	CST020H2D	13,148	CSN020H2D	11,995	CSS020H2D	14,028	460/3/60	B	See footnote 6
CST030H2CF	14,545	CST030H2C	13,957	CSN030H2C	12,924	CSS030H2C	14,425	208-230/3/60	D	See footnote 6
-	-	CST030H2D	15,360	CSN030H2D	14,351	CSS030H2D	15,829	460/3/60	D	See footnote 6
Semi-Hermetic Medium Temperature (R-22)										
-	-	CST008M2B	7,621	CSN008M2B	6,515	CSS008M2B	8,092	208-230/1/60	A	-
-	-	CST008M2C	7,653	CSN008M2C	6,547	CSS008M2C	8,122	208-230/3/60	A	-
-	-	CST010M2B	8,227	CSN010M2B	7,087	CSS010M2B	8,692	208-230/1/60	A	-
-	-	CST010M2C	8,234	CSN010M2C	7,136	CSS010M2C	8,706	208-230/3/60	A	-
-	-	CST020M2B	10,752	CSN020M2B	9,604	CSS020M2B	11,631	208-230/1/60	B	See footnote 6

Notes:

1. Not Suitable for R-507
2. Suction accumulator is available as an option.
3. Includes electric defrost timer.
4. Includes air defrost timer. Suitable for medium temperature applications only.
5. Includes standard liquid line required for liquid injection. Can also be used for R-22 medium and low temperature applications.
6. Model provided with Round Tube Plate Fin (RTPF) condenser coil instead of microchannel coil.

1/2 - 6 HP Horizontal Air Discharge Standard & Configurable Models Pricing

Standard Outdoor		Outdoor (T)		Indoor (N)		Beacon II™ Outdoor (S)		Voltage	Cabinet	Notes
Chandler Model	List Price (\$US)	Chandler Model	List Price (\$US)	Chandler Model	List Price (\$US)	Chandler Model	List Price (\$US)			
-	-	CST020M2C	10,558	CSN020M2C	9,407	CSS020M2C	11,437	208-230/3/60	B	See footnote 6
-	-	CST021M2C	11,259	CSN021M2C	10,106	CSS021M2C	12,139	208-230/3/60	B	See footnote 6
-	-	CST021M2D	13,148	CSN021M2D	11,995	CSS021M2D	14,028	460/3/60	B	See footnote 6
CST029M2CF	14,087	CST029M2C	13,499	CSN029M2C	12,468	CSS029M2C	14,378	208-230/3/60	C	-
-	-	CST029M2D	14,903	CSN029M2D	13,896	CSS029M2D	15,781	460/3/60	C	-
Hermetic Medium Temperature (R-22)										
CHT015X6BFM	7,144	CHT015X6B	6,636	CHN015X6B	5,330	CHS015X6B	7,430	208-230/1/60	B	See footnote 2
CHT015X6BFMT	7,684	-	-	-	-	-	-	208-230/1/60	B	See footnote 3
CHT015X6CFM	7,120	CHT015X6C	6,612	CHN015X6C	5,310	CHS015X6C	7,406	208-230/3/60	B	See footnote 2
CHT015X6CFMT	7,660	-	-	-	-	-	-	208-230/3/60	B	See footnote 3
CHT020X6BFM	7,527	CHT020X6B	7,019	CHN020X6B	5,713	CHS020X6B	7,815	208-230/1/60	B	See footnote 2
CHT020X6BFMT	8067	-	-	-	-	-	-	208-230/1/60	B	See footnote 3
CHT020X6CFM	7676	CHT020X6C	7168	CHN020X6C	5,865	CHS020X6C	7,962	208-230/3/60	B	See footnote 2
CHT020X6CFMT	8216	-	-	-	-	-	-	208-230/3/60	B	See footnote 3
CHT025X6BFM	8135	CHT025X6B	7627	CHN025X6B	6,283	CHS025X6B	7,971	208-230/1/60	B	See footnote 2
CHT025X6BFMT	8675	-	-	-	-	-	-	208-230/1/60	B	See footnote 3
CHT025X6CFM	7992	CHT025X6C	7484	CHN025X6C	6,142	CHS025X6C	7,790	208-230/3/60	B	See footnote 2
CHT025X6CFMT	8532	-	-	-	-	-	-	208-230/3/60	B	See footnote 3
-	-	CHT025X6D	8383	CHN025X6D	7,039	CHS025X6D	8,706	460/3/60	B	See footnote 2
CHT030X6BFM	8167	CHT030X6B	7579	CHN030X6B	6,637	CHS030X6B	8,004	208-230/1/60	D	See footnote 2
CHT030X6BFMT	8707	-	-	-	-	-	-	208-230/1/60	D	See footnote 4
CHT030X6CFM	7988	CHT030X6C	7400	CHN030X6C	6,461	CHS030X6C	7,823	208-230/3/60	D	See footnote 2
CHT030X6CFMT	8528	-	-	-	-	-	-	208-230/3/60	D	See footnote 4
-	-	CHT030X6D	8313	CHN030X6D	7,374	CHS030X6D	8,739	460/3/60	D	See footnote 2
CHT032X6BFM	8625	CHT032X6B	8037	CHN032X6B	7,098	CHS032X6B	8,462	208-230/1/60	D	See footnote 2
CHT032X6BFMT	9165	-	-	-	-	-	-	208-230/1/60	D	See footnote 4
CHT032X6CFM	8447	CHT032X6C	7859	CHN032X6C	6,915	CHS032X6C	8,284	208-230/3/60	D	See footnote 2
CHT032X6CFMT	8987	-	-	-	-	-	-	208-230/3/60	D	See footnote 4
-	-	CHT032X6D	8794	CHN032X6D	7,855	CHS032X6D	9,221	460/3/60	D	See footnote 2
CHT040X6BFM	10399	CHT040X6B	9811	CHN040X6B	8,900	CHS040X6B	10,234	208-230/1/60	D	See footnote 2
CHT040X6BFMT	10939	-	-	-	-	-	-	208-230/1/60	D	See footnote 4
CHT040X6CFM	10185	CHT040X6C	9597	CHN040X6C	8,687	CHS040X6C	10,020	208-230/3/60	D	See footnote 2
CHT040X6CFMT	10724	-	-	-	-	-	-	208-230/3/60	D	See footnote 4
-	-	CHT040X6D	10663	CHN040X6D	9,755	CHS040X6D	11,089	460/3/60	D	See footnote 2
CHT050X6BFM	11259	CHT050X6B	10671	CHN050X6B	9,760	CHS050X6B	11,094	208-230/1/60	D	See footnote 2
CHT050X6BFMT	11800	-	-	-	-	-	-	208-230/1/60	D	See footnote 4
CHT050X6CFM	11026	CHT050X6C	10438	CHN050X6C	9,530	CHS050X6C	10,864	208-230/3/60	D	See footnote 2
CHT050X6CFMT	11566	-	-	-	-	-	-	208-230/3/60	D	See footnote 4
-	-	CHT050X6D	11597	CHN050X6D	10,687	CHS050X6D	12,020	460/3/60	D	See footnote 2

Notes:

1. Not Suitable for R-507
2. Suction accumulator is available as an option.
3. Includes electric defrost timer.
4. Includes air defrost timer. Suitable for medium temperature applications only.
5. Includes standard liquid line required for liquid injection. Can also be used for R-22 medium and low temperature applications.
6. Model provided with Round Tube Plate Fin (RTPF) condenser coil instead of microchannel coil.

½ - 6 HP Horizontal Air Discharge

Factory-Installed Options

Need Factory-Installed Options?

- Make sure you have selected a configurable model. When ordering, remember to specify the option codes and list price adders for each selected option.
- Can't Find Something? Other options and accessories might be available on a custom order basis. Please contact your local Sales Representative or Account Engineer for assistance.

Option Code	Description	Models Used On	Notes	List Price Adder (\$US)		
				Outdoor (T)	Indoor (N)	Beacon II™ Outdoor (S)
Electrical Options						
DFT.001	Defrost Timer - Air	All H2, M6, X6	Medium temperature applications only.	540	540	-
SW.001	Adjustable low pressure control	H2, H6, M6	Standard on L6, E6, X6 models.	149	-	-
SW.005	Adjustable low pressure control	H2, H6, M6	Standard on L6, E6, X6 models.	-	149	-
SW.002	Dual pressure control with superhose	All	-	336	336	-
FSD.001-1	Mounted fused disconnect	005-035	-	534	-	534
FSD.001-2	Mounted fused disconnect	040-060	-	983	-	983
PLM.004	Phase Loss Monitor	All	-	1,061	1,061	-
FCY.008	Fan Cycling - Fixed Temperature	Cabinet B & C	2 fan units; Can't combine HPV & VSEC	371	371	-
FCY.013	Variable Speed Fan Cycling - Hoffman Controller	Cabinet D Medium Temperature Only	Hoffman controller in place of head pressure control valve. Indoor units only.	-	771	-
MS.001A	Variable Speed EC Motor with Orbus Controller	Cabinet A	VSEC with Orbus in place of head pressure control valve	792	-	792
MS.001BC	Variable Speed EC Motor with Orbus Controller	Cabinet B & C	VSEC with Orbus in place of head pressure control valve	1,174	-	1,174
MS.001D	Variable Speed EC Motor with Orbus Controller	Cabinet D (Except 460V)	VSEC with Orbus in place of head pressure control valve	1,065	-	1,065
Mechanical Options						
LIQ.001-1	Liquid-line filter drier, sight glass and shut-off valve	005-025	Standard on L6 models with ZF Scroll Compressor	508	508	508
LIQ.001-2	Liquid-line filter drier, sight glass and shut-off valve	027-060	Standard on L6 models with ZF Scroll Compressor	588	588	588
LIQ.003	Replaceable core liquid-line filter drier, sight glass, shut-off valve	Cabinet D	Also available on 031 L6 with hermetic compressor	1,082	1,082	1,082
LIQ.002-1	Liquid-line solenoid valve and pump-down switch with liquid-line filter drier, sight glass and shut-off valve	005-025	Not recommended on applications with line runs more than 25 feet.	1,082	1,082	-
LIQ.002-2	Liquid-line solenoid valve and pump-down switch with liquid-line filter drier, sight glass and shut-off valve	027-060	Not recommended on applications with line runs more than 25 feet.	1,163	1,163	-
SUC.003-1	Suction-line filter	005-025	-	323	323	323
SUC.003-2	Suction-line filter	030-060	-	384	384	384
SUC.005	Replaceable core suction-line filter	Cabinet D	Also available on 031 L6 with hermetic compressor	1,125	1,125	1,125
SUC.007-1	Suction accumulator	005-025	-	406	406	406
SUC.007-2	Suction accumulator	027-060	-	676	676	676
DIS.004	Head pressure control flooding valve	005-060	-	Standard	479	Standard

½ - 6 HP Horizontal Air Discharge

Factory-Installed Options

Need Factory-Installed Options?

- Make sure you have selected a configurable model. When ordering, remember to specify the option codes and list price adders for each selected option.
- Can't Find Something? Other options and accessories might be available on a custom order basis. Please contact your local Sales Representative or Account Engineer for assistance.

Option Code	Description	Models Used On	Notes	List Price Adder (\$US)		
				Outdoor (T)	Indoor (N)	Beacon II™ Outdoor (S)
DIS.001	Oil separator with discharge line check valve	Cabinet D	Can not be used with 44# receiver with relief valve option (REC.044).	1,216	1,216	-
DIS.017	Oil separator with discharge line check valve	Cabinet D	Can not be used with 44# receiver with relief valve option (REC.044).	-	-	1,216
REC.044	44# receiver with relief valve	Cabinet D	Can not be ordered with replaceable core liquid-line filter drier option (LIQ.003).	1,206	1,206	1,206
REC.001	Low ambient kit with heated and insulated receiver, time delay relay	All	Can not be used with dual pressure control option (SW.002).	675	-	675
PRE.002A	Pre-Charged w/ Quick Connects (R404A)	Cabinet A	Must be ordered with liquid-line assemblies.	693	693	-
PRE.002BC	Pre-Charged w/ Quick Connects (R404A)	Cabinet B&C	Must be ordered with liquid-line assemblies.	829	829	-
PRE.002D	Pre-Charged w/ Quick Connects (R404A)	Cabinet D	Must be ordered with liquid-line assemblies.	1,012	1,012	-

1/2 - 6 HP Horizontal Air Discharge Factory-Installed Electric Defrost Options

Need an electric defrost timer or kit?

- Make sure you have selected a configurable model. When ordering, remember to specify the option codes and list price adders for each selected option.
- Electric defrost kits and components are available to be factory mounted in the electrical box of indoor or outdoor condensing units used in medium/low temp applications with electric defrost evaporators.

Selecting the proper kit is as easy as ...

1

Add up the total fan motor amps and electric heater amps for all evaporators in the refrigeration system.

2

For the selected condensing unit, find the rated defrost power amps for both the fan motor amps and electric heater amps.

3

If the evaporator total fan motor amps and electric defrost heater amps calculated in Step 1 are less than the condensing unit's rated defrost power amps found in Step 2 then proceed below to select the appropriate kit/components and list price adders. If not then contact your local Sales Representative or Account Engineer for assistance.

Definitions

Electric Defrost Timer

Initiates and terminates defrost cycles based on a predetermined time schedule.

Lockout Relay

Prevents the electric defrost heaters from energizing when the compressor is in operation. Not available on electric defrost timer only options.

Fan Contactor

Carries amperage load for evaporator fan motors.

Heater Contactor

Carries amperage load for evaporator electric defrost heaters.

InterLink™ Smart Defrost Kit™ (SDK)

The InterLink™ SDK is a revolutionary product that is designed to be used on any electric defrost walk-in freezer system with an electro-mechanical defrost timer set for three or more scheduled defrosts per day. The InterLink™ SDK accurately estimates frost accumulation on the evaporator coil and decides if it can skip the preprogrammed defrost period that is set on the defrost timer. This helps eliminate unneeded defrost cycles, saving energy and increasing product integrity

Option Code	Description	Models Used On	Notes	List Price Adder (\$US)	
				Outdoor (T)	Indoor (N)
DFT.002	Defrost Timer - Electric	005-035 and L6, M6, E6, X6	-	540	540
DFT.007	Electric Defrost Kit	040-060 and L6, M6, E6, X6	Includes (1) electric defrost timer, (1) heater & (1) fan contactors, and (1) lockout relay.	769	769
SDK.001	InterLink™ Smart Defrost Kit™	005-060 and L6, M6, E6, X6	Can not be used alone. Must also select a electric defrost timer or electric defrost kit.	836	836

1/2 - 6 HP Horizontal Air Discharge

Shipped-Loose Accessories

A wide range of shipped-loose accessories are available to order. Can't Find Something? Other options and accessories might be available on a custom order basis. Please contact your local Sales Representative or Account Engineer for assistance.

Part Number	Description	Models Used On	Notes	List Price (\$US)
Electrical Options				
29318012	1/2" Solenoid valve, 115/230V coil	-	-	316
8077893	10ft Wire harness for air or electric defrost units	All	Not available for 115V evaporator motors	298
5009969	15ft Wire harness for air or electric defrost units	All	Not available for 115V evaporator motors	354
8077894	20ft Wire harness for air or electric defrost units	All	Not available for 115V evaporator motors	384
5009970	25ft Wire harness for air or electric defrost units	All	Not available for 115V evaporator motors	448
8077895	35ft Wire harness for air or electric defrost units	All	Not available for 115V evaporator motors	519
8077896	55ft Wire harness for air or electric defrost units	All	Not available for 115V evaporator motors	610
Mechanical Options				
50014701	9.75" Extended legs (shipped-loose)	Cabinet A	-	291
50014702	9.75" Extended legs (shipped-loose)	Cabinet B&C	-	291
50014703	9.75" Extended legs (shipped-loose)	Cabinet D	-	291
50014710	5.75" Extended legs (shipped-loose)	Cabinet A	-	291
50014711	5.75" Extended legs (shipped-loose)	Cabinet B&C	-	291
50014712	5.75" Extended legs (shipped-loose)	Cabinet D	-	291
59985601	Hail guards (shipped-loose)	Cabinet A	-	353
59985701	Hail guards (shipped-loose)	Cabinet B&C	-	381
59985801	Hail guards (shipped-loose)	Cabinet D	-	392

Precharged Line Set with Refrigerant and Quick Connect Fittings at Both Ends

For proper selection, you must know the system capacity, suction temperature, line length, and aeroquip fitting size at both the condensing unit and unit cooler. Not available for R-22. Please contact your local Sales Representative or Account Engineer for assistance.

Line Sizes	7 Feet		10 Feet		15 Feet		20 Feet		30 Feet		50 Feet	
	Part Number	List Price (\$US)	Part Number	List Price (\$US)	Part Number	List Price (\$US)	Part Number	List Price (\$US)	Part Number	List Price (\$US)	Part Number	List Price (\$US)
3/8" x 5/8"	8049918	603	8049933	603	8049921	650	8049930	644	8049924	825	8049927	1,110
3/8" x 7/8"	8049919	629	8049934	658	8049922	703	8049931	785	8049925	1,111	8049928	1,679
1/2" x 1 1/8"	8049920	722	8049935	840	8049923	973	8049932	1,118	8049926	1,378	8049929	2,066

Crankcase Pressure Regulator (CPR) Valves

A selection program must be used to pick the proper valve. The selection program requires the following inputs: system capacity, suction temperature, and maximum holding temperature. Not available for use on Beacon II™ Outdoor units. Should not be used with MOP type expansion valves in unit coolers. Please contact your local Sales Representative or Account Engineer for assistance.

Size	Part Number	List Price (\$US)
5/8"	2930142	280
7/8"	29346101	385
1 1/8"	29399012	565
1 3/8"	4227W	1,546

Section 2

3 - 22 HP Horizontal Air Discharge

Overview



Product Description:

The 3-22 HP condensing units feature an enhanced grill design that gives up to 40% more free-air area than prior models and its vertical receiver needs less refrigerant to ensure a full column of liquid reaches the expansion valve. Fan motors and serviceable components are accessible via the front grill for quick service and the sight glass is conveniently placed so that charging is quick, easy and accurate. Thorough cleaning of the coil is easier because the unit's top panel is one piece and lighter for easy removal. A liquid base valve and suction service tap is placed on the outside of the cabinet for easy pump-downs and quick diagnosis. The footprint is smaller for easy jobsite placement. These condensing units utilize the Floating Tube™ coil design, which eliminates tube-sheet leaks, allowing for a 5-year warranty against tube-sheet leaks. PSC motors come standard to help save you energy.

Opting for the Beacon II™ Refrigeration System with Smart Defrost, factory-installed Smart Defrost Kit™ (SDK), Variable Speed EC (VSEC) motor with Orbus™ Controller increases energy efficiency and qualifies this product for the **E Solutions™** product portfolio

Certifications



Nomenclature

H	D	T	0500		M	6	C
Model	Compressor	Application	Equiv. HP		Operating Range	Refrigerant	Voltage
H = Chandler	D = Discus® Z = Scroll	T = Outdoor N = Indoor S = Beacon II™	0300 = 3HP 0400 = 4HP 0500 = 5HP 0501 = 5HP 0600 = 6HP 0601 = 6HP 0650 = 6.5HP 0700 = 7HP 0750 = 7.5HP	0751 = 7.5HP 0800 = 8 HP 0860 = 8.5HP 0900 = 9HP 1000 = 10HP 1200 = 12HP 1300 = 13HP 1401 = 14HP 1500 = 15HP 2200 = 22HP	L = Low M = Medium	2 = R-22 6 = R-404A/507	C = 208-230/3/60 (200-220/3/50)* D = 460/3/60 (380-420/3/50)* * Limited by compressor model

Cabinet & Construction

- All units feature the Floating Tube™ coil design which eliminates tube sheet leaks
- Painted steel cabinet for superior strength and corrosion resistance

Serviceability

- Manual pumpdown switch on all units
- Convenient access panels to easily service internal components
- Large electrical panel to facilitate ease of access

Quality & Performance

- Sight Glass is easily viewable
- Fixed high pressure switch eliminates capillary tubes
- Refrigeration duty, rifled copper condenser tubing
- Piping is laid out to minimize stress and vibration and is pre-bent to eliminate braze joints where possible to reduce leak potential
- All joints are sweat type connections, no mechanical joints to leak
- Separate subcooling circuit in condenser for added capacity and vapor free liquid
- Pressure relief valve on receiver
- ServiceMate™ diagnostic module standard on all non-Beacon™ condensing units

Components

Compressor

- Discus compressors are spring mounted with suction and discharge eliminators
- Receivers are sized for sufficient pumpdown capacity with inlet and outlet service valves

Other

- Sight glass and permanent line filter

Motors

- Available with Variable Speed EC Motors

3 - 22 HP Horizontal Air Discharge

Standard & Configurable Models Pricing

Standard Outdoor

- Prepainted galvanized cabinet
- Manual pump-down switch
- Electronic oil failure switch (Discus Compressors)
- Spring mounted compressors with suction and discharge vibration eliminators (Discus Compressors)
- Head pressure control valve
- Crankcase heater
- Fixed high and adjustable low pressure switches
- Sight glass & permanent liquid-line filter
- ServiceMate™ Diagnostic Module

Configurable Models

Outdoor (T)

- Prepainted galvanized cabinet
- Manual pump-down switch
- Electronic oil failure switch (Discus Compressors)
- Spring mounted compressors with suction and discharge vibration eliminators (Discus Compressors)
- Head pressure control valve
- Crankcase heater
- Fixed high and adjustable low pressure switches
- Sight glass & permanent liquid-line filter

Indoor (N)

- No cabinet hood
- Fan guards & wiring conduit
- Manual pump-down switch
- Electronic oil failure switch (Discus Compressors)
- Spring mounted compressors with suction and discharge vibration eliminators (Discus Compressors)
- Crankcase heater
- Fixed high and adjustable low pressure switches
- Sight glass & permanent liquid-line filter

Beacon II™ Outdoor (S)

- Outdoor Unit with hood
- Manual pump-down switch
- Electronic oil failure switch (Discus Compressors)
- Spring mounted compressors with suction and discharge vibration eliminators (Discus Compressors)
- Crankcase heater
- Head pressure control valve
- Wired for Beacon II™ control. Beacon II™ fan cycling for two fan units only
- Fixed high and adjustable low pressure switches
- Sight glass & permanent liquid-line filter

Need to customize? Look at the factory-installed options starting on page 96.

Standard Outdoor		Outdoor (T)		Indoor (N)		Beacon II™ Outdoor (S)		Voltage	Cabinet	Notes
Chandler Model	List Price (\$US)	Chandler Model	List Price (\$US)	Chandler Model	List Price (\$US)	Chandler Model	List Price (\$US)			
Discus Medium Temperature (R-404A/507/22)										
-	-	HDT0500M6C	20,747	HDN0500M6C	20,305	HDS0500M6C	21,532	208-230/3/60	1 Fan	-
-	-	HDT0500M6D	22,120	HDN0500M6D	21,677	HDS0500M6D	22,907	460/3/60	1 Fan	-
-	-	HDT0501M6C	21,262	HDN0501M6C	20,817	HDS0501M6C	22,048	208-230/3/60	1 Fan	-
-	-	HDT0501M6D	22,636	HDN0501M6D	22,190	HDS0501M6D	23,420	460/3/60	1 Fan	-
-	-	HDT0750M6C	26,160	HDN0750M6C	25,715	HDS0750M6C	27,494	208-230/3/60	1 Fan	-
-	-	HDT0750M6D	27,531	HDN0750M6D	27,090	HDS0750M6D	28,864	460/3/60	1 Fan	-
HDT0751M6CF	26,323	HDT0751M6C	26,323	HDN0751M6C	25,730	HDS0751M6C	28,041	208-230/3/60	2 Fan	-
-	-	HDT0751M6D	27,693	HDN0751M6D	27,101	HDS0751M6D	29,411	460/3/60	2 Fan	-
-	-	HDT0800M6C	30,509	HDN0800M6C	29,917	HDS0800M6C	32,228	208-230/3/60	2 Fan	-
-	-	HDT0800M6D	31,963	HDN0800M6D	31,369	HDS0800M6D	33,682	460/3/60	2 Fan	-
-	-	HDT1000M6C	31,959	HDN1000M6C	31,387	HDS1000M6C	33,630	208-230/3/60	2 Fan	-
-	-	HDT1000M6D	34,235	HDN1000M6D	33,643	HDS1000M6D	35,953	460/3/60	2 Fan	-
HDT1200M6CF	34,599	HDT1200M6C	34,599	HDN1200M6C	34,025	HDS1200M6C	36,268	208-230/3/60	2 Fan	-
-	-	HDT1200M6D	36,078	HDN1200M6D	35,455	HDS1200M6D	37,747	460/3/60	2 Fan	-
-	-	HDT1500M6C	35,440	HDN1500M6C	34,867	HDS1500M6C	37,110	208-230/3/60	2 Fan Large	-
-	-	HDT1500M6D	37,105	HDN1500M6D	36,484	HDS1500M6D	38,775	460/3/60	2 Fan Large	-
Discus Low Temperature (R-404A/507/22)										
-	-	HDT0300L6C	20,163	HDN0300L6C	19,721	HDS0300L6C	20,950	208-230/3/60	1 Fan	See Note 1
-	-	HDT0300L6D	21,533	HDN0300L6D	21,091	HDS0300L6D	22,322	460/3/60	1 Fan	See Note 1
-	-	HDT0400L6C	21,917	HDN0400L6C	21,474	HDS0400L6C	22,701	208-230/3/60	1 Fan	See Note 1
-	-	HDT0400L6D	23,288	HDN0400L6D	22,843	HDS0400L6D	24,071	460/3/60	1 Fan	See Note 1
HDT0600L6CF	24,272	HDT0600L6C	23,030	HDN0600L6C	22,586	HDS0600L6C	23,815	208-230/3/60	1 Fan	See Note 1
-	-	HDT0600L6D	24,401	HDN0600L6D	23,958	HDS0600L6D	25,185	460/3/60	1 Fan	See Note 1
HDT0601L6CF	25,632	HDT0601L6C	24,389	HDN0601L6C	23,946	HDS0601L6C	25,174	208-230/3/60	1 Fan	See Note 1
-	-	HDT0601L6D	25,758	HDN0601L6D	25,316	HDS0601L6D	26,543	460/3/60	1 Fan	See Note 1
HDT0750L6CF	29,735	HDT0750L6C	28,493	HDN0750L6C	28,049	HDS0750L6C	29,827	208-230/3/60	1 Fan	See Note 1
-	-	HDT0750L6D	29,865	HDN0750L6D	29,421	HDS0750L6D	31,197	460/3/60	1 Fan	See Note 1
-	-	HDT0900L6C	31,336	HDN0900L6C	30,744	HDS0900L6C	33,052	208-230/3/60	2 Fan	See Note 1
-	-	HDT0900L6D	32,705	HDN0900L6D	32,112	HDS0900L6D	34,425	460/3/60	2 Fan	See Note 1

Notes:

1. For R-22 low temperature operation, add Demand Cooling Kit.

Air-Cooled Condensing Units

3 - 22 HP Horizontal Air Discharge Standard & Configurable Models Pricing

Standard Outdoor		Outdoor (T)		Indoor (N)		Beacon II™ Outdoor (S)		Voltage	Cabinet	Notes
Chandler Model	List Price (\$US)	Chandler Model	List Price (\$US)	Chandler Model	List Price (\$US)	Chandler Model	List Price (\$US)			
HDT1000L6CF	35,099	HDT1000L6C	33,713	HDN1000L6C	33,119	HDS1000L6C	35,427	208-230/3/60	2 Fan	See Note 1
-	-	HDT1000L6D	34,421	HDN1000L6D	33,826	HDS1000L6D	36,138	460/3/60	2 Fan	See Note 1
-	-	HDT1200L6C	34,414	HDN1200L6C	33,793	HDS1200L6C	36,084	208-230/3/60	2 Fan Large	See Note 1
-	-	HDT1200L6D	35,595	HDN1200L6D	34,972	HDS1200L6D	37,263	460/3/60	2 Fan Large	See Note 1
HDT1500L6CF	37,835	HDT1500L6C	35,954	HDN1500L6C	35,332	HDS1500L6C	37,624	208-230/3/60	2 Fan Large	See Note 1
-	-	HDT1500L6D	38,766	HDN1500L6D	38,143	HDS1500L6D	40,436	460/3/60	2 Fan Large	See Note 1
HDT2200L6CF	44,809	HDT2200L6C	42,104	HDN2200L6C	41,482	HDS2200L6C	43,775	208-230/3/60	2 Fan Large	See Note 1
-	-	HDT2200L6D	42,635	HDN2200L6D	42,394	HDS2200L6D	44,301	460/3/60	2 Fan Large	See Note 1
Scroll Medium Temperature (R-404A/507)										
-	-	HZT0650M6C	22,892	HZN0650M6C	22,448	HZS0650M6C	24,225	208-230/3/60	1 Fan	-
-	-	HZT0650M6D	24,380	HZN0650M6D	23,936	HZS0650M6D	25,711	460/3/60	1 Fan	-
-	-	HZT0700M6C	22,946	HZN0700M6C	22,501	HZS0700M6C	24,665	208-230/3/60	2 Fan	-
-	-	HZT0700M6D	24,437	HZN0700M6D	23,993	HZS0700M6D	26,022	460/3/60	2 Fan	-
-	-	HZT0750M6C	24,017	HZN0750M6C	23,425	HZS0750M6C	25,736	208-230/3/60	2 Fan	-
-	-	HZT0750M6D	25,507	HZN0750M6D	24,914	HZS0750M6D	27,223	460/3/60	2 Fan	-
-	-	HZT0860M6C	28,466	HZN0860M6C	27,875	HZS0860M6C	30,186	208-230/3/60	2 Fan	-
-	-	HZT0860M6D	29,145	HZN0860M6D	28,555	HZS0860M6D	30,864	460/3/60	2 Fan	-
-	-	HZT1000M6C	31,301	HZN1000M6C	29,577	HZS1000M6C	33,020	208-230/3/60	2 Fan	-
-	-	HZT1000M6D	31,555	HZN1000M6D	29,832	HZS1000M6D	33,272	460/3/60	2 Fan	-
-	-	HZT1401M6C	34,949	HZN1401M6C	33,128	HZS1401M6C	36,766	208-230/3/60	2 Fan Large	-
-	-	HZT1401M6D	36,306	HZN1401M6D	33,392	HZS1401M6D	37,034	460/3/60	2 Fan Large	-
Scroll Low Temperature (R-404A/507)										
-	-	HZT0750L6C	21,645	HZN0750L6C	21,200	HZS0750L6C	22,977	208-230/3/60	1 Fan	-
-	-	HZT0750L6D	22,977	HZN0750L6D	22,535	HZS0750L6D	24,311	460/3/60	1 Fan	-
-	-	HZT1000L6C	26,867	HZN1000L6C	26,425	HZS1000L6C	28,201	208-230/3/60	1 Fan	-
-	-	HZT1000L6D	28,262	HZN1000L6D	27,817	HZS1000L6D	29,592	460/3/60	1 Fan	-
-	-	HZT1300L6C	30,168	HZN1300L6C	29,577	HZS1300L6C	31,887	208-230/3/60	2 Fan	-
-	-	HZT1300L6D	30,887	HZN1300L6D	30,294	HZS1300L6D	32,609	460/3/60	2 Fan	-
-	-	HZT1500L6C	31,155	HZN1500L6C	30,564	HZS1500L6C	32,877	208-230/3/60	2 Fan	-
-	-	HZT1500L6D	31,875	HZN1500L6D	31,282	HZS1500L6D	33,597	460/3/60	2 Fan	-
Scroll Low Temperature (R-22)										
-	-	HZT0750L2C	23,936	HZN0750L2C	23,442	HZS0750L2C	25,409	208-230/3/60	1 Fan	-
-	-	HZT0750L2D	25,409	HZN0750L2D	24,919	HZS0750L2D	26,883	460/3/60	1 Fan	-
-	-	HZT1000L2C	29,708	HZN1000L2C	29,220	HZS1000L2C	31,185	208-230/3/60	1 Fan	-
-	-	HZT1000L2D	31,251	HZN1000L2D	30,760	HZS1000L2D	32,723	460/3/60	1 Fan	-
-	-	HZT1300L2C	33,360	HZN1300L2C	32,707	HZS1300L2C	35,260	208-230/3/60	2 Fan	-
-	-	HZT1300L2D	34,153	HZN1300L2D	33,499	HZS1300L2D	36,057	460/3/60	2 Fan	-
-	-	HZT1500L2C	34,450	HZN1500L2C	33,796	HZS1500L2C	36,353	208-230/3/60	2 Fan	-
-	-	HZT1500L2D	35,247	HZN1500L2D	34,592	HZS1500L2D	37,149	460/3/60	2 Fan	-

Notes:

1. For R-22 low temperature operation, add Demand Cooling Kit.

3 - 22 HP Horizontal Air Discharge

Factory-Installed Options

Need Factory-Installed Options?

- Make sure you have selected a configurable model. When ordering, remember to specify the option codes and list price adders for each selected option.
- Can't Find Something? Other options and accessories might be available on a custom order basis. Please contact your local Sales Representative or Account Engineer for assistance.

Option Code	Description	Models Used On	Notes	List Price Adder (\$US)		
				Outdoor (T)	Indoor (N)	Beacon II™ Outdoor (S)
Electrical Options						
DFT.001	Defrost Timer - Air	All M6	Medium temperature applications only.	540	540	-
SW.007	Adjustable high pressure switch w/ manual reset & adjustable low pressure switch	2 Fan & 2 Fan Large	-	381	381	381
SW.002	Dual pressure control with adjustable high & low pressure settings	All	Standard heated and insulated receiver kit option can't be used with this option. Contact factory	149	149	-
FSD.001-1	Mounted fused disconnect	1 Fan (230V)	-	1,023	-	1,023
FSD.001-2	Mounted fused disconnect	1 Fan (460V)	-	1,178	-	1,178
FSD.001-3	Mounted fused disconnect	2 Fan (230V)	-	1,797	-	1,797
FSD.001-4	Mounted fused disconnect	2 Fan (460V)	-	2,069	-	2,069
FSD.001-5	Mounted fused disconnect	2 Fan Large (230V)	-	2,471	-	2,471
FSD.001-6	Mounted fused disconnect	2 Fan Large (460V)	-	3,385	-	3,385
PLM.001	Phase Loss Monitor	All	-	1,109	1,109	1,109
FCY.002-1	Fan Cycling - Temperature & Pressure	1 Fan	-	385	-	Press. Std.
FCY.014	Fan Cycling - Temperature & Pressure	2 Fan	-	534	-	Press. Std.
FCY.002-2	Fan Cycling - Temperature & Pressure	2 Fan Large	-	534	-	Press. Std.
ELC.007-1	Circuit Breakers (Compressor, Control & Fan)	2 Fan Large - 230V	-	2,307	2,307	-
ELC.007-2	Circuit Breakers (Compressor, Control & Fan)	2 Fan Large - 460V	-	3,503	3,503	-
CFS.001	Compressor Fusing	2 Fan Large	-	398	398	398
ELC.008-2	NEMA Contactors	2 Fan Large - 230V	-	2,109	2,109	-
ELC.008-1	NEMA Contactors	2 Fan Large - 460V	-	1,223	1,223	-
MS.001-1	Variable Speed EC Motor with Orbus Controller	1 Fan (208-230/3/60)	-	1,065	-	1,065
MS.001-2	Variable Speed EC Motor with Orbus Controller	2 Fan (208-230/3/60)	-	1,890	-	1,890
Mechanical Options						
LIQ.003	Replaceable core liquid-line filter drier & sight glass	All	-	457	457	457

Regulation Requires Variable Speed Fan Motors!

California Energy Commission Title 24, Section 126

Effective 01/01/2010, refrigerated warehouses with a total cold storage and frozen storage area exceeding 3,000 square feet require:

1. All condenser fans for air-cooled condensers/condensing units shall be continuously variable speed and the condensing temperature or pressure control system shall control the speed of all condenser fans serving a common condenser loop in unison. The minimum condensing temperature set point shall be less than or equal to 70 degrees Fahrenheit or reset in response to ambient dry bulb temperature or refrigeration system load.
2. All single phase condenser/condensing unit fan motors less than 1 horsepower and less than 460 volts shall be either permanent split capacitor or electronically

3 - 22 HP Horizontal Air Discharge

Factory-Installed Options

Need Factory-Installed Options?

- Make sure you have selected a configurable model. When ordering, remember to specify the option codes and list price adders for each selected option.
- Can't Find Something? Other options and accessories might be available on a custom order basis. Please contact your local Sales Representative or Account Engineer for assistance.

Option Code	Description	Models Used On	Notes	List Price Adder (\$US)		
				Outdoor (T)	Indoor (N)	Beacon II™ Outdoor (S)
LIQ.002-3	Liquid-line solenoid valve	1 Fan	Not recommended on applications with line runs more than 25 feet.	598	598	-
LIQ.002-4	Liquid-line solenoid valve	2 Fan	Not recommended on applications with line runs more than 25 feet.	672	672	-
LIQ.002-5	Liquid-line solenoid valve	2 Fan Large	Not recommended on applications with line runs more than 25 feet.	920	920	-
SUC.003-1	Suction-line filter	1 Fan	-	457	457	457
SUC.003-2	Suction-line filter	2 Fan	-	777	777	777
SUC.003-3	Suction-line filter	2 Fan Large	-	1,240	1,240	1,240
SUC.005-1	Replaceable core suction-line filter	1 Fan	-	879	879	879
SUC.005-2	Replaceable core suction-line filter	2 Fan	-	1,199	1,199	1,199
SUC.005-3	Replaceable core suction-line filter	2 Fan Large	-	1,623	1,623	1,623
SUC.007-1	Suction accumulator	1 Fan	-	703	703	703
SUC.007-2	Suction accumulator	2 Fan	-	1,093	1,093	1,093
SUC.007-3	Suction accumulator	2 Fan Large	-	2,649	2,649	2,649
DIS.004-1	Head pressure control valve - 180psi fixed	1 & 2 Fan	-	Standard	343	Standard
DIS.004-2	Head pressure control valve - adjustable	2 Fan Large	-	Standard	1,164	Standard
DIS.001-1	Oil separator with discharge line check valve	1 Fan	-	1,272	1,272	1,272
DIS.001-2	Oil separator with discharge line check valve	2 Fan	-	1,343	1,343	1,343
DIS.001-3	Oil separator with discharge line check valve	2 Fan Large	-	1,589	1,589	1,589
UNL.001	Compressor Unloading (One Step)	2 Fan Large	-	2,193	2,193	-
DMD.001	Demand Cooling for low temperature R-22	All L6	Discuss Compressors Only	2,298	2,298	2,298
REC.010-3	Oversized receiver	1 Fan	R-22 = 60 lbs.; R-404A/507 = 52 lbs.	1,198	1,198	1,198
REC.010-2	Oversized receiver	2 Fan	R-22 = 90 lbs.; R-404A/507 = 78 lbs.	596	596	596
REC.010-1	Oversized receiver	2 Fan Large	See technical bulletin for Volumes	368	368	368
LOW.001-1	Heated & Insulated receiver with low pressure cut-out time delay	1 & 2 Fan	-	769	-	769
LOW.001-2	Heated & Insulated receiver with low pressure cut-out time delay	2 Fan Large	-	1,028	-	1,028
LVR.001-1	Louvered guard for snowbelt regions	1 Fan	-	1,164	-	1,164
LVR.001-2	Louvered guard for snowbelt regions	2 Fan	-	1,326	-	1,326

3 - 22 HP Horizontal Air Discharge

Factory-Installed Options

Need Factory-Installed Options?

- Make sure you have selected a configurable model. When ordering, remember to specify the option codes and list price adders for each selected option.
- Can't Find Something? Other options and accessories might be available on a custom order basis. Please contact your local Sales Representative or Account Engineer for assistance.

Option Code	Description	Models Used On	Notes	List Price Adder (\$US)		
				Outdoor (T)	Indoor (N)	Beacon II™ Outdoor (S)
Coil Options						
CS.PRO-1	Polyester coated condenser fin protection	1 Fan	-	1,194	1,194	1,194
CS.PRO-2	Polyester coated condenser fin protection	2 Fan	-	1,650	1,650	1,650
CS.PRO-3	Polyester coated condenser fin protection	2 Fan Large	-	2,318	2,318	2,318
CS.CPR-1	Copper condenser fins	1 Fan	-	Call Factory	Call Factory	Call Factory
CS.CPR-2	Copper condenser fins	2 Fan	-	Call Factory	Call Factory	Call Factory
CS.CPR-3	Copper condenser fins	2 Fan Large	-	Call Factory	Call Factory	Call Factory
CS.ELEC-1	ElectroFin coil coating	1 Fan	-	Call Factory	Call Factory	Call Factory
CS.ELEC-2	ElectroFin coil coating	2 Fan	-	Call Factory	Call Factory	Call Factory
CS.ELEC-3	ElectroFin coil coating	2 Fan Large	-	Call Factory	Call Factory	Call Factory
CS.BRZ-1	Bronz-Glow coil coating	1 Fan	-	Call Factory	Call Factory	Call Factory
CS.BRZ-2	Bronz-Glow coil coating	2 Fan	-	Call Factory	Call Factory	Call Factory
CS.BRZ-3	Bronz-Glow coil coating	2 Fan Large	-	Call Factory	Call Factory	Call Factory

3 - 22 HP Horizontal Air Discharge Factory-Installed Electric Defrost Options

Need an electric defrost kit?

- Make sure you have selected a configurable model. When ordering, remember to specify the option codes and list price adders for each selected option.
- Electric defrost kits and components are available to be factory mounted in the electrical box of indoor or outdoor condensing units used in medium/low temp applications with electric defrost evaporators.

Selecting the proper kit is as easy as ...

- 1 Add up the total fan motor amps and electric heater amps for all evaporators in the refrigeration system.
- 2 For the selected condensing unit, find the rated defrost power amps for both the fan motor amps and electric heater amps.
- 3 If the evaporator total fan motor amps and electric defrost heater amps calculated in Step 1 are less than the condensing unit's rated defrost power amps found in Step 2 then proceed below to select the appropriate kit/components and list price adders. If not then contact your local Sales Representative or Account Engineer for assistance.

Definitions

Electric Defrost Timer

Initiates and terminates defrost cycles based on a predetermined time schedule.

Lockout Relay

Prevents the electric defrost heaters from energizing when the compressor is in operation.

Evaporator Hold Out Relay

Allows each evaporator to individually terminate defrost on temperature when multiple evaporators are used in a single system.

Fan Contactor

Carries amperage load for evaporator fan motors.

Heater Contactor

Carries amperage load for evaporator electric defrost heaters.

InterLink™ Smart Defrost Kit™ (SDK)

The InterLink™ SDK is a revolutionary product that is designed to be used on any electric defrost walk-in freezer system with an electro-mechanical defrost timer set for three or more scheduled defrosts per day. The InterLink™ SDK accurately estimates frost accumulation on the evaporator coil and decides if it can skip the preprogrammed defrost period that is set on the defrost timer. This helps eliminate unneeded defrost cycles, saving energy and increasing product integrity

Option Code	Description	Models Used On	Notes	List Price Adder (\$US)	
				Outdoor (T)	Indoor (N)
DFT.007-2	Electric Defrost Kit (High Amps)	1 Fan	Includes (1) electric defrost timer, (1 or 2) heater & (1) fan contactors, terminal strip	1,242	1,242
DFT.007-3	Electric Defrost Kit (High Amps)	2 Fan	Includes (1) electric defrost timer, (1 or 2) heater & (1) fan contactors, terminal strip	1,386	1,386
DFT.028	Electric Defrost Kit (Low Amps)	2 Fan Large	Includes (1) electric defrost timer, (1 or 2) heater & (1) fan contactors, terminal strip	1,881	1,881
DFT.029	Electric Defrost Kit (High Amps)	2 Fan Large	Includes (1) electric defrost timer, (1 or 2) heater & (1) fan contactors, terminal strip	2,706	2,706
DEF.066	Fuses for electric defrost kits	1 & 2 Fan	-	441	441
DEF.067	Fuses for electric defrost kits	2 Fan Large	-	441	441
EHR.001	Evaporator hold out relay	2 Fan Large	-	219	219
SDK.001	InterLink™ Smart Defrost Kit™	All	Can not be used alone. Must also select a electric defrost timer or electric defrost kit.	836	836

3 - 22 HP Horizontal Air Discharge

Shipped-Loose Accessories

A wide range of shipped-loose accessories are available to order. Can't Find Something? Other options and accessories might be available on a custom order basis. Please contact your local Sales Representative or Account Engineer for assistance.

Part Number	Description	Models Used On	Notes	List Price (\$US)
Mechanical Options				
50053301	8" Extended Legs	1 Fan & 2 Fan	-	401
59894901	8" Extended Legs	2 Fan Large	-	467
59898801	Hail Guards	1 Fan	-	428
59898901	Hail Guards	2 Fan	-	485
59896801	Hail Guards	2 Fan Large	-	542

Crankcase Pressure Regulator (CPR) Valves

A selection program must be used to pick the proper valve. The selection program requires the following inputs: system capacity, suction temperature, and maximum holding temperature. Not available for use on Beacon II™ Outdoor units. Should not be used with MOP type expansion valves in unit coolers. Please contact your local Sales Representative or Account Engineer for assistance.

Size	Part Number	List Price (\$US)
5/8"	2930142	280
7/8"	29346101	385
1 1/8"	29399012	565
1 3/8"	4227W	1,546
1 5/8"	4262Q	2,419

Section 2

4 - 13 HP Horizontal Air Discharge

Overview



Product Description:

The 4-13 HP condensing unit product line with Bitzer® compressors feature an enhanced grill design that gives up to 40% more free-air area than prior models and its vertical receiver needs less refrigerant to ensure a full column of liquid reaches the expansion valve. Fan motors and serviceable components are accessible via the front grill for quick service and the sight glass is conveniently placed so that charging is quick, easy and accurate. Thorough cleaning of the coil is easier because the unit's top is one piece and lighter for easy removal. A liquid base valve and suction service tap is placed on the outside of the cabinet for easy pump-downs and quick diagnosis. The footprint is smaller for easy jobsite placement. These condensing units utilize the Floating Tube™ design, which eliminates tube-sheet leaks, allowing a 5-year warranty against tube-sheet leaks. PSC motors come standard to help you save money

Opting for the Beacon II™ Refrigeration System with Smart Defrost, factory-installed Smart Defrost Kit™ (SDK), Variable Speed EC (VSEC) motor with Orbus™ Controllor increases energy efficiency and qualifies this product for the **E Solutions™** product portfolio

Certifications



Cabinet & Construction

- All units feature the Floating Tube™ coil design, eliminating tube sheet leaks
- Painted steel cabinet for superior strength and corrosion resistance
- Enhanced grill design provides 25-40% increase in free-air area

Serviceability

- Manual pumpdown switch on all units
- Dual isolation valves on receiver
- Base valve and high/low pressure taps on outside of cabinet
- Removable grill for access to all serviceable parts
- Lighter, one-piece top is easily removed for improved serviceability

Quality

- Sight Glass is easily viewable
- Fixed high and adjustable low pressure switch
- Refrigeration duty, rifled copper condenser tubing
- Electrical box relocated outside of air stream (improved air flow)
- Piping is laid out to minimize stress and vibration and is pre-bent to eliminate braze joints where possible, to reduce leak potential

Components

Compressor

- Units feature Bitzer® semi-hermetic compressors.
- Available with compressor unloading

Other

- Crankcase heater and head pressure valve on all outdoor units
- Sight glass and permanent liquid line filter

Motors

- Available with Variable Speed EC Motors

Nomenclature

H	B	T	0601	L	6	C
Model	Compressor	Application	Equiv. HP	Operating Range	Refrigerant	Voltage
H = Chandler	B = Bitzer	T = Outdoor N = Indoor S = Beacon II™	0401 = 4HP 0551 = 5HP 0601 = 6HP 0611 = 6HP 0751 = 7.5HP 0901 = 9HP 1001 = 10HP 1201 = 12HP 1301 = 13HP	L = Low M = Medium	6 = R-404A/507	C = 208-230/3/60 D = 460/3/60

4 - 13 HP Horizontal Air Discharge

Configurable Models Pricing

Configurable Models		
Outdoor (T) <ul style="list-style-type: none"> • Prepainted galvanized cabinet • Manual pump-down switch • Electronic oil failure switch • Spring mounted compressors with suction and discharge vibration eliminators • Head pressure control valve • Crankcase heater • Fixed high and adjustable low pressure switches • Sight glass & permanent liquid-line filter • ServiceMate™ Diagnostic Module 	Indoor (N) <ul style="list-style-type: none"> • No cabinet hood • Fan guards & wiring conduit • Manual pump-down switch • Electronic oil failure switch • Spring mounted compressors with suction and discharge vibration eliminators • Crankcase heater • Fixed high and adjustable low pressure switches • Sight glass & permanent liquid-line filter • ServiceMate™ Diagnostic Module 	Beacon II™ Outdoor (S) <ul style="list-style-type: none"> • Outdoor Unit with hood • Manual pump-down switch • Spring mounted compressors with suction and discharge vibration eliminators • Crankcase heater • Head pressure control valve • Wired for Beacon II™ control. Beacon II™ fan cycling for two fan units only • Fixed high and adjustable low pressure switches • Sight glass & permanent liquid-line filter

Need to customize? Look at the factory-installed options starting on page 103.

Outdoor (T)		Indoor (N)		Beacon II™ Outdoor (S)		Voltage	Cabinet	Notes
Chandler Model	List Price (\$US)	Chandler Model	List Price (\$US)	Chandler Model	List Price (\$US)			
Medium Temperature (R-404A/507)								
HBT0551M6C	23,410	HBN0551M6C	22,965	HBS0551M6C	24,687	208-230/3/60	2 Fan	-
HBT0551M6D	24,580	HBN0551M6D	24,113	HBS0551M6D	25,921	460/3/60	2 Fan	-
HBT0751M6C	26,323	HBN0751M6C	25,822	HBS0751M6C	27,759	208-230/3/60	2 Fan	-
HBT0751M6D	27,639	HBN0751M6D	27,114	HBS0751M6D	29,147	460/3/60	2 Fan	-
HBT0901M6C	31,195	HBN0901M6C	30,602	HBS0901M6C	32,896	208-230/3/60	2 Fan Large	-
HBT0901M6D	32,755	HBN0901M6D	32,132	HBS0901M6D	34,543	460/3/60	2 Fan Large	-
HBT1001M6C	31,796	HBN1001M6C	31,193	HBS1001M6C	33,532	208-230/3/60	2 Fan Large	-
HBT1001M6D	33,386	HBN1001M6D	32,751	HBS1001M6D	35,208	460/3/60	2 Fan Large	-
Low Temperature (R-404A/507)								
HBT0401L6C	21,917	HBN0401L6C	21,524	HBS0401L6C	22,880	208-230/3/60	1 Fan	-
HBT0401L6D	22,773	HBN0401L6D	22,363	HBS0401L6D	23,772	460/3/60	1 Fan	-
HBT0551L6C	23,030	HBN0551L6C	22,617	HBS0551L6C	24,041	208-230/3/60	1 Fan	-
HBT0551L6D	23,929	HBN0551L6D	23,497	HBS0551L6D	24,979	460/3/60	1 Fan	-
HBT0601L6C	27,633	HBN0601L6C	27,135	HBS0601L6C	28,844	208-230/3/60	2 Fan	-
HBT0601L6D	28,710	HBN0601L6D	28,193	HBS0601L6D	29,970	460/3/60	2 Fan	-
HBT0611L6C	28,299	HBN0611L6C	27,789	HBS0611L6C	29,539	208-230/3/60	2 Fan	-
HBT0611L6D	29,402	HBN0611L6D	28,874	HBS0611L6D	30,693	460/3/60	2 Fan	-
HBT0751L6C	29,512	HBN0751L6C	28,981	HBS0751L6C	30,806	208-230/3/60	2 Fan	-
HBT0751L6D	30,663	HBN0751L6D	30,110	HBS0751L6D	32,007	460/3/60	2 Fan	-
HBT1001L6C	33,713	HBN1001L6C	33,106	HBS1001L6C	35,191	208-230/3/60	2 Fan	-
HBT1001L6D	35,027	HBN1001L6D	34,397	HBS1001L6D	36,565	460/3/60	2 Fan	-
HBT1201L6C	34,414	HBN1201L6C	33,794	HBS1201L6C	35,924	208-230/3/60	2 Fan Large	-
HBT1201L6D	35,756	HBN1201L6D	35,112	HBS1201L6D	37,325	460/3/60	2 Fan Large	-
HBT1301L6C	35,954	HBN1301L6C	35,308	HBS1301L6C	37,531	208-230/3/60	2 Fan Large	-
HBT1301L6D	37,357	HBN1301L6D	36,684	HBS1301L6D	38,996	460/3/60	2 Fan Large	-

4 - 13 HP Horizontal Air Discharge

Factory-Installed Options

Need Factory-Installed Options?

- Make sure you have selected a configurable model. When ordering, remember to specify the option codes and list price adders for each selected option.
- Can't Find Something? Other options and accessories might be available on a custom order basis. Please contact your local Sales Representative or Account Engineer for assistance.

Option Code	Description	Models Used On	Notes	List Price Adder (\$US)		
				Outdoor (T)	Indoor (N)	Beacon II™ Outdoor (S)
Electrical Options						
DFT.001	Defrost Timer - Air	All M6	Medium temperature applications only.	540	540	-
SW.007	Adjustable high pressure switch w/ manual reset & adjustable low pressure switch	All	-	381	381	381
SW.002	Dual pressure control with adjustable high & low pressure settings	All	Standard heated and insulated receiver kit option can't be used with this option. Contact factory	149	149	-
FSD.001-3	Mounted fused disconnect	1 Fan (230V)	-	1,023	-	1,023
FSD.001-4	Mounted fused disconnect	1 Fan (460V)	-	1,178	-	1,178
FSD.001-5	Mounted fused disconnect	2 Fan (230V)	-	1,797	-	1,797
FSD.001-6	Mounted fused disconnect	2 Fan (460V)	-	2,069	-	2,069
FSD.001-7	Mounted fused disconnect	2 Fan Large (230V)	-	2,471	-	2,471
FSD.001-8	Mounted fused disconnect	2 Fan Large (460V)	-	3,385	-	3,385
PLM.001	Phase Loss Monitor	All	-	1,109	1,109	1,109
FCY.002-1	Fan Cycling - Temperature & Pressure	1 Fan	-	385	-	Press. Std.
FCY.014	Fan Cycling - Temperature & Pressure	2 Fan	-	534	-	Press. Std.
FCY.002-2	Fan Cycling - Temperature & Pressure	2 Fan Large	-	534	-	Press. Std.
ELC.007-1	Circuit Breakers (Compressor, Control & Fan)	2 Fan Large - 230V	-	2,307	2,307	-
ELC.007-2	Circuit Breakers (Compressor, Control & Fan)	2 Fan Large - 460V	-	3,503	3,503	-
CFS.001	Compressor Fusing	2 Fan Large	-	398	398	398
ELC.008-2	NEMA Contactors	2 Fan Large - 230V	-	2,109	2,109	-
ELC.008-1	NEMA Contactors	2 Fan Large - 460V	-	1,223	1,223	-
MS.001-1	Variable Speed EC Motor with Orbus Controller	1 Fan (208-230/3/60)	-	1,065	-	1,065
MS.001-2	Variable Speed EC Motor with Orbus Controller	2 Fan (208-230/3/60)	-	1,890	-	1,890
Mechanical Options						
LIQ.003	Replaceable core liquid-line filter drier & sight glass	All	-	457	457	457
LIQ.002-1	Liquid-line solenoid valve	1 Fan	Not recommended on applications with line runs more than 25 feet.	598	598	-
LIQ.002-2	Liquid-line solenoid valve	2 Fan	Not recommended on applications with line runs more than 25 feet.	672	672	-
LIQ.002-3	Liquid-line solenoid valve	2 Fan Large	Not recommended on applications with line runs more than 25 feet.	920	920	-
SUC.003-1	Suction-line filter	1 Fan	-	457	457	457
SUC.003-2	Suction-line filter	2 Fan	-	777	777	777
SUC.003-3	Suction-line filter	2 Fan Large	-	1,240	1,240	1,240

Regulation Requires Variable Speed Fan Motors!

California Energy Commission Title 24, Section 126

Effective 01/01/2010, refrigerated warehouses with a total cold storage and frozen storage area exceeding 3,000 square feet require:

1. All condenser fans for air-cooled condensers/condensing units shall be continuously variable speed and the condensing temperature or pressure control system shall control the speed of all condenser fans serving a common condenser loop in unison. The minimum condensing temperature set point shall be less than or equal to 70 degrees Fahrenheit or reset in response to ambient dry bulb temperature or refrigeration system load.
2. All single phase condenser/condensing unit fan motors less than 1 horsepower and less than 460 volts shall be either permanent split capacitor or electronically commutated.

4 - 13 HP Horizontal Air Discharge

Factory-Installed Options

Need Factory-Installed Options?

- Make sure you have selected a configurable model. When ordering, remember to specify the option codes and list price adders for each selected option.
- Can't Find Something? Other options and accessories might be available on a custom order basis. Please contact your local Sales Representative or Account Engineer for assistance.

Option Code	Description	Models Used On	Notes	List Price Adder (\$US)		
				Outdoor (T)	Indoor (N)	Beacon II™ Outdoor (S)
SUC.005-1	Replaceable core suction-line filter	1 Fan	-	879	879	879
SUC.005-2	Replaceable core suction-line filter	2 Fan	-	1,199	1,199	1,199
SUC.005-3	Replaceable core suction-line filter	2 Fan Large	-	1,623	1,623	1,623
SUC.007-1	Suction accumulator	1 Fan	-	703	703	703
SUC.007-2	Suction accumulator	2 Fan	-	1,093	1,093	1,093
SUC.007-3	Suction accumulator	2 Fan Large	-	2,649	2,649	2,649
DIS.004-1	Head pressure control valve - 180psi fixed	1 & 2 Fan	-	Standard	343	Standard
DIS.004-2	Head pressure control valve - adjustable	2 Fan Large	-	Standard	1,164	Standard
DIS.001-1	Oil separator with discharge line check valve	1 Fan	-	1,272	1,272	1,272
DIS.001-2	Oil separator with discharge line check valve	2 Fan	-	1,343	1,343	1,343
DIS.001-3	Oil separator with discharge line check valve	2 Fan Large	-	1,589	1,589	1,589
UNL.001	Compressor Unloading (One Step)	All	-	2,193	2,193	-
REC.010-3	Oversized receiver	1 Fan	R-22 = 60 lbs.; R-404A/507 = 52 lbs.	1,198	1,198	1,198
REC.010-2	Oversized receiver	2 Fan	R-22 = 90 lbs.; R-404A/507 = 78 lbs.	596	596	596
REC.010-1	Oversized receiver	2 Fan Large	See technical bulletin for Volumes	368	368	368
LOW.001-1	Heated & Insulated receiver with low pressure cut-out time delay	1 & 2 Fan	-	769	-	769
LOW.001-2	Heated & Insulated receiver with low pressure cut-out time delay	2 Fan Large	-	1,028	-	1,028
LVR.001-1	Louvered guard for snowbelt regions	1 Fan	-	1,164	-	1,164
LVR.001-2	Louvered guard for snowbelt regions	2 Fan	-	1,326	-	1,326
Coil Options						
CS.PRO-1	Polyester coated condenser fin protection	1 Fan	-	1,194	1,194	1,194
CS.PRO-2	Polyester coated condenser fin protection	2 Fan	-	1,650	1,650	1,650
CS.PRO-3	Polyester coated condenser fin protection	2 Fan Large	-	2,318	2,318	2,318
CS.CPR-1	Copper condenser fins	1 Fan	-	Call Factory	Call Factory	Call Factory
CS.CPR-2	Copper condenser fins	2 Fan	-	Call Factory	Call Factory	Call Factory
CS.CPR-3	Copper condenser fins	2 Fan Large	-	Call Factory	Call Factory	Call Factory
CS.ELEC-1	ElectroFin coil coating	1 Fan	-	Call Factory	Call Factory	Call Factory
CS.ELEC-2	ElectroFin coil coating	2 Fan	-	Call Factory	Call Factory	Call Factory
CS.ELEC-3	ElectroFin coil coating	2 Fan Large	-	Call Factory	Call Factory	Call Factory
CS.BRZ-1	Bronz-Glow coil coating	1 Fan	-	Call Factory	Call Factory	Call Factory
CS.BRZ-2	Bronz-Glow coil coating	2 Fan	-	Call Factory	Call Factory	Call Factory
CS.BRZ-3	Bronz-Glow coil coating	2 Fan Large	-	Call Factory	Call Factory	Call Factory

4 - 13 HP Horizontal Air Discharge Factory-Installed Electric Defrost Options

Need an electric defrost kit?

- Make sure you have selected a configurable model. When ordering, remember to specify the option codes and list price adders for each selected option.
- Electric defrost kits and components are available to be factory mounted in the electrical box of indoor or outdoor condensing units used in medium/low temp applications with electric defrost evaporators.

Selecting the proper kit is as easy as ...

1

Add up the total fan motor amps and electric heater amps for all evaporators in the refrigeration system.

2

For the selected condensing unit, contact your local Sales Representative or Account Engineer to find out the rated defrost power amps for both the fan motor amps and electric heater amps. The condensing unit data plate ratings are based on the actual system match.

3

Your local Sales Representative or Account Engineer will help you select the proper electric defrost kit and components.

Definitions

Electric Defrost Timer

Initiates and terminates defrost cycles based on a predetermined time schedule.

Lockout Relay

Prevents the electric defrost heaters from energizing when the compressor is in operation.

Evaporator Hold Out Relay

Allows each evaporator to individually terminate defrost on temperature when multiple evaporators are used in a single system.

Fan Contactor

Carries amperage load for evaporator fan motors.

Heater Contactor

Carries amperage load for evaporator electric defrost heaters.

InterLink™ Smart Defrost Kit™ (SDK)

The InterLink™ SDK is a revolutionary product that is designed to be used on any electric defrost walk-in freezer system with an electro-mechanical defrost timer set for three or more scheduled defrosts per day. The InterLink™ SDK accurately estimates frost accumulation on the evaporator coil and decides if it can skip the preprogrammed defrost period that is set on the defrost timer. This helps eliminate unneeded defrost cycles, saving energy and increasing product integrity

Option Code	Description	Models Used On	Notes	List Price Adder (\$US)	
				Outdoor (T)	Indoor (N)
DFT.KIT	Electric Defrost Kit	All	Includes (1) electric defrost timer, (1) heater contactor (48 amp maximum heater load), (1) fan contactor, terminal strip, and fusing	1,828	1,828
DFT.CHR	Additional Heater Contactor and hold out relay	All	48 amp maximum heater load per heater contactor. Can only have a maximum of 2 heater contactors per unit.	661	661
SDK.001	InterLink™ Smart Defrost Kit™	All	Can not be used alone. Must also select a electric defrost timer or electric defrost kit.	836	836

4 - 13 HP Horizontal Air Discharge

Shipped-Loose Accessories

A wide range of shipped-loose accessories are available to order. Can't Find Something? Other options and accessories might be available on a custom order basis. Please contact your local Sales Representative or Account Engineer for assistance.

Part Number	Description	Models Used On	Notes	List Price (\$US)
Mechanical Options				
50053301	12" Extended Legs	1 Fan & 2 Fan	-	401
59894901	12" Extended Legs	2 Fan Large	-	467
59898801	Hail Guards	1 Fan	-	428
59898901	Hail Guards	2 Fan	-	485
59896801	Hail Guards	2 Fan Large	-	542

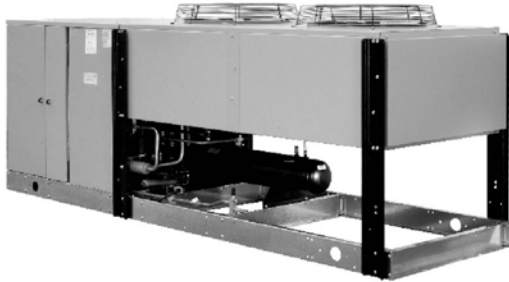
Crankcase Pressure Regulator (CPR) Valves

A selection program must be used to pick the proper valve. The selection program requires the following inputs: system capacity, suction temperature, and maximum holding temperature. Not available for use on Beacon II™ Outdoor units. Should not be used with MOP type expansion valves in unit coolers. Please contact your local Sales Representative or Account Engineer for assistance.

Size	Part Number	List Price (\$US)
5/8"	2930142	280
7/8"	29346101	385
1 1/8"	29399012	565
1 3/8"	4227W	1,546
1 5/8"	4262Q	2,419

12 - 40 HP Vertical Air Discharge

Overview



Product Description

The 12-40 HP vertical condensing units are designed to meet the needs of a demanding commercial and industrial refrigeration market. The product is configured to be flexible in its design and construction to allow it to respond to the requirements of refrigeration contractors, consulting engineers and facility owners/operators. The Floating Tube™ coil design incorporated in the product provides reliability against tube sheet leaks.

Opting for the Beacon II™ refrigeration system with Smart Defrost, Factory installed Smart Defrost Kit™ (SDK) or Variable Speed EC motors increases this products energy efficiency and qualifies it for the **E Solutions™** product portfolio.

Certifications



Cabinet & Construction

- All units feature the Floating Tube™ coil which eliminates tube sheet leaks
- Painted steel cabinet for superior strength and corrosion resistance

Serviceability

- Manual pumpdown switch on all units
- Convenient access panels to easily service internal components
- Large electrical panel to facilitate ease of access

Quality

- Sight Glass is easily viewable
- Fixed high and adjustable low pressure switch
- Refrigeration duty, rifled copper condenser tubing
- Piping is laid out to minimize stress and vibration and is pre-bent to eliminate braze joints where possible to reduce leak potential
- All joints are sweat type connections, no mechanical joints to leak
- Separate subcooling circuit in condenser for added capacity and vapor free liquid
- Pressure relief valve on receiver
- ServiceMate™ diagnostic module standard on all non-Beacon™ condensing units

Components

Compressor

- Spring-mounted compressors with suction and discharge eliminators
- Receivers are sized for sufficient pumpdown capacity with inlet and outlet service valves.

Other

- Sight glass and permanent liquid line filter

Motors

- Available with Variable Speed EC Motors

Nomenclature

C	D	V	S	1501	H	6	C
Model	Compressor	Style	Beacon II™	Equiv. HP	Operating Range	Refrigerant	Voltage
C = Chandler	D = Discus®	V = Vertical	S = Beacon II™ No "S" = non-Beacon II™	1200/1201 = 12HP 1500/1501 = 15HP 2000/2001 = 20HP 2200/2201 = 22HP 2500/2501 = 25HP 2600 = 25HP 2700/2701 = 27HP 3000/3001 = 30HP 3500/3501 = 35HP 3505 = 35HP 4000/4001 = 40HP	H = High L = Low M = Medium	6 = R-404A/507, or R-22	C = 208-230/3/60 D = 460/3/60 K = 230/3/60

12 - 40 HP Vertical Air Discharge

Configurable Models Pricing

Configurable Models

Outdoor

- Prepainted galvanized cabinet with easily removable service panels
- Condenser built with rifled tubing and a separate subcooler coil for extra performance
- Adjustable flooded head pressure valves on all models
- Liquid line with drier, sight glass, and shut-off valve
- Electronic oil safety control
- Spring mounted compressors with suction and discharge vibration eliminators
- Large electrical panel, including compressor contactor and pump-down switch
- Fixed high pressure control and separate adjustable low pressure control with flexible braided hose
- ServiceMate™ Diagnostic Module

Beacon II™ Outdoor

- Prepainted galvanized cabinet with easily removable service panels
- Condenser built with rifled tubing and a separate subcooler coil for extra performance
- Adjustable flooded head pressure valves on all models
- Liquid line with drier, sight glass, and shut-off valve
- Electronic oil safety control
- Spring mounted compressors with suction and discharge vibration eliminators
- Large electrical panel, including compressor contactor and pump-down switch
- Fixed high pressure control and separate adjustable low pressure control with flexible braided hose
- Wired for Beacon II™ control with fan cycling.

Need to customize? Look at the factory-installed options starting on page 110.

Outdoor		Beacon II™ Outdoor		Voltage	Model Type	Notes
Chandler Model	List Price (\$US)	Chandler Model	List Price (\$US)			
Standard Models: Medium Temperature (R-404A/507/22)						
CDV1500M6C	36,817	CDVS1500M6C	39,526	208-230/3/60	Standard	-
CDV1500M6D	37,545	CDVS1500M6D	40,253	460/3/60	Standard	-
CDV2000M6C	40,969	CDVS2000M6C	43,676	208-230/3/60	Standard	-
CDV2000M6D	41,696	CDVS2000M6D	44,405	460/3/60	Standard	-
CDV2500M6C	48,881	CDVS2500M6C	51,590	208-230/3/60	Standard	-
CDV2500M6D	49,607	CDVS2500M6D	52,317	460/3/60	Standard	-
CDV2600M6C	54,901	CDVS2600M6C	57,608	208-230/3/60	Standard	-
CDV2600M6D	55,626	CDVS2600M6D	58,339	460/3/60	Standard	-
CDV3000M6C	57,329	CDVS3000M6C	60,039	208-230/3/60	Standard	-
CDV3000M6D	58,058	CDVS3000M6D	60,765	460/3/60	Standard	-
CDV3500M6C	64,892	CDVS3500M6C	67,926	208-230/3/60	Standard	-
CDV3500M6D	65,490	CDVS3500M6D	68,527	460/3/60	Standard	-
CDV4000M6D	72,571	CDVS4000M6D	75,602	460/3/60	Standard	-
CDV4000M6K	71,595	CDVS4000M6K	74,629	230/3/60	Standard	-
Standard Models: Low Temperature (R-404A/507/22)						
CDV1200L6C	37,753	CDVS1200L6C	40,458	208-230/3/60	Standard	See Note 2
CDV1200L6D	38,484	CDVS1200L6D	41,191	460/3/60	Standard	See Note 2
CDV1500L6C	39,519	CDVS1500L6C	42,226	208-230/3/60	Standard	See Note 2
CDV1500L6D	40,247	CDVS1500L6D	42,955	460/3/60	Standard	See Note 2
CDV2200L6C	46,380	CDVS2200L6C	49,090	208-230/3/60	Standard	See Note 2
CDV2200L6D	47,109	CDVS2200L6D	49,816	460/3/60	Standard	See Note 2
CDV2700L6C	53,308	CDVS2700L6C	56,013	208-230/3/60	Standard	See Note 2
CDV2700L6D	54,034	CDVS2700L6D	56,742	460/3/60	Standard	See Note 2
CDV3000L6C	59,149	CDVS3000L6C	61,855	208-230/3/60	Standard	See Note 2
CDV3000L6D	59,875	CDVS3000L6D	62,583	460/3/60	Standard	See Note 2

Notes:

1. High Efficiency Models come with an oversized condenser.
2. For R-22 low temperature operation, add Demand Cooling Kit.

12 - 40 HP Vertical Air Discharge

Configurable Models Pricing

Outdoor		Beacon II™ Outdoor		Voltage	Model Type	Notes
Chandler Model	List Price (\$US)	Chandler Model	List Price (\$US)			
High Efficiency Models: High Temperature (R-404A/507/22)						
CDV1501H6C	40,718	CDVS1501H6C	43,428	208-230/3/60	High Efficiency	See Note 1
CDV1501H6D	41,447	CDVS1501H6D	44,155	460/3/60	High Efficiency	See Note 1
CDV2001H6C	42,927	CDVS2001H6C	45,637	208-230/3/60	High Efficiency	See Note 1
CDV2001H6D	43,657	CDVS2001H6D	46,362	460/3/60	High Efficiency	See Note 1
CDV2501H6C	60,490	CDVS2501H6C	63,525	208-230/3/60	High Efficiency	See Note 1
CDV2501H6D	61,287	CDVS2501H6D	64,319	460/3/60	High Efficiency	See Note 1
CDV3001H6C	63,129	CDVS3001H6C	66,165	208-230/3/60	High Efficiency	See Note 1
CDV3001H6D	63,859	CDVS3001H6D	66,890	460/3/60	High Efficiency	See Note 1
CDV3501H6C	78,937	CDVS3501H6C	82,255	208-230/3/60	High Efficiency	See Note 1
CDV3501H6D	79,663	CDVS3501H6D	82,985	460/3/60	High Efficiency	See Note 1
CDV4001H6C	79,821	CDVS4001H6C	83,143	208-230/3/60	High Efficiency	See Note 1
CDV4001H6D	80,548	CDVS4001H6D	83,868	460/3/60	High Efficiency	See Note 1
High Efficiency Models: Low Temperature (R-404A/507/22)						
CDV1201L6C	39,404	CDVS1201L6C	42,112	208-230/3/60	High Efficiency	See Note 1, 2
CDV1201L6D	40,134	CDVS1201L6D	42,843	460/3/60	High Efficiency	See Note 1, 2
CDV1501L6C	42,339	CDVS1501L6C	45,049	208-230/3/60	High Efficiency	See Note 1, 2
CDV1501L6D	43,067	CDVS1501L6D	45,773	460/3/60	High Efficiency	See Note 1, 2
CDV2201L6C	49,290	CDVS2201L6C	51,997	208-230/3/60	High Efficiency	See Note 1, 2
CDV2201L6D	50,020	CDVS2201L6D	52,729	460/3/60	High Efficiency	See Note 1, 2
CDV2701L6C	59,255	CDVS2701L6C	62,288	208-230/3/60	High Efficiency	See Note 1, 2
CDV2701L6D	59,981	CDVS2701L6D	63,014	460/3/60	High Efficiency	See Note 1, 2
CDV3001L6C	62,546	CDVS3001L6C	65,578	208-230/3/60	High Efficiency	See Note 1, 2
CDV3001L6D	63,274	CDVS3001L6D	66,304	460/3/60	High Efficiency	See Note 1, 2
CDV1201L6C	39,404	CDVS1201L6C	42,112	208-230/3/60	High Efficiency	See Note 1, 2
CDV1201L6D	40,134	CDVS1201L6D	42,843	460/3/60	High Efficiency	See Note 1, 2
CDV1501L6C	42,339	CDVS1501L6C	45,049	208-230/3/60	High Efficiency	See Note 1, 2
CDV1501L6D	43,067	CDVS1501L6D	45,773	460/3/60	High Efficiency	See Note 1, 2
CDV2201L6C	49,290	CDVS2201L6C	51,997	208-230/3/60	High Efficiency	See Note 1, 2
CDV2201L6D	50,020	CDVS2201L6D	52,729	460/3/60	High Efficiency	See Note 1, 2
CDV2701L6C	59,255	CDVS2701L6C	62,288	208-230/3/60	High Efficiency	See Note 1, 2
CDV2701L6D	59,981	CDVS2701L6D	63,014	460/3/60	High Efficiency	See Note 1, 2
CDV3001L6C	62,546	CDVS3001L6C	65,578	208-230/3/60	High Efficiency	See Note 1, 2
CDV3001L6D	63,274	CDVS3001L6D	66,304	460/3/60	High Efficiency	See Note 1, 2

Notes:

1. High Efficiency Models come with an oversized condenser.
2. For R-22 low temperature operation, add Demand Cooling Kit.

12 - 40 HP Vertical Air Discharge

Factory-Installed Options

Need Factory-Installed Options?

- Make sure you have selected a configurable model. When ordering, remember to specify the option codes and list price adders for each selected option.
- Can't Find Something? Other options and accessories might be available on a custom order basis. Please contact your local Sales Representative or Account Engineer for assistance.

Option Code	Description	CDV/CDVS Models Used On	Notes	List Price Adder (\$US)	
				Outdoor	Beacon II™ Outdoor
Electrical Options					
DFT.001	Defrost Timer - Air	All	Medium temperature applications only.	540	-
FCY.001-1	Fan Cycling - Temperature	1200-3000 Standard Models 1201-2201 High Efficiency Models	Fan closest to the header is not cycled.	1,716	-
FCY.001-2	Fan Cycling - Temperature	3500-4000 Standard Models 2501-3001 High Efficiency Models	Fan closest to the header is not cycled.	2,044	-
FCY.001-3	Fan Cycling - Temperature	3501-4001 High Efficiency Models	Fan closest to the header is not cycled.	2,330	-
FCY.002-1	Fan Cycling - Pressure	1200-3000 Standard Models 1201-2201 High Efficiency Models	Fan closest to the header is not cycled.	1,716	Standard
FCY.002-2	Fan Cycling - Pressure	3500-4000 Standard Models 2501-3001 High Efficiency Models	Fan closest to the header is not cycled.	2,044	Standard
FCY.002-3	Fan Cycling - Pressure	3501-4001 High Efficiency Models	Fan closest to the header is not cycled.	2,330	Standard
FSD.001-1	Fused Disconnect	1200-2701 (230V)	-	1,633	1,633
FSD.001-2	Fused Disconnect	1200-2701 (460V) 3000 & 3001 (230V)	-	2,379	2,379
FSD.001-3	Fused Disconnect	3000-4001 (460V)	-	3,464	3,464
NFD.008-1	Non-Fused Disconnect	1200-2701 (230V)	-	1,532	1,532
NFD.008-2	Non-Fused Disconnect	1200-2701 (460V) 3000 & 3001 (230V)	-	2,206	2,206
NFD.008-3	Non-Fused Disconnect	3000-4001 (460V)	-	3,227	3,227
CBK.002-2	Compressor Circuit Breaker	230V	-	2,534	2,534
CBK.002-1	Compressor Circuit Breaker	460V	-	1,177	1,177
PLM.00X	Phase Loss Monitor	230V & 460V	-	1,109	1,109
TDR.002	Anti-short Cycling Timer	All	-	640	640
HPS.001	Manual Reset High Pressure Switch	All	-	306	306
MS.0012C	Variable Speed EC Motor with proportional pressure controller	1500-2500M6 Standard Models (230V) 1200-2700L6 Standard Models (230V) 1201L6-2201L6 High Efficiency Models (230V)	-	4,949	4,949
MS.0012D	Variable Speed EC Motor with proportional pressure controller	1500-2500M6 Standard Models (230V) 1200-2700L6 Standard Models (230V) 1201L6-2201L6 High Efficiency Models (230V)	-	15,094	15,094

Regulation Requires Variable Speed Fan Motors!

California Energy Commission Title 24, Section 126

Effective 01/01/2010, refrigerated warehouses with a total cold storage and frozen storage area exceeding 3,000 square feet require:

1. All condenser fans for air-cooled condensers/condensing units shall be continuously variable speed and the condensing temperature or pressure control system shall control the speed of all condenser fans serving a common condenser loop in unison. The minimum condensing temperature set point shall be less than or equal to 70 degrees Fahrenheit or reset in response to ambient dry bulb temperature or refrigeration system load.
2. All single phase condenser/condensing unit fan motors less than 1 horsepower and less than 460 volts shall be either permanent split capacitor or electronically commutated.

12 - 40 HP Vertical Air Discharge

Factory-Installed Options

Need Factory-Installed Options?

- Make sure you have selected a configurable model. When ordering, remember to specify the option codes and list price adders for each selected option.
- Can't Find Something? Other options and accessories might be available on a custom order basis. Please contact your local Sales Representative or Account Engineer for assistance.

Option Code	Description	CDV/CDVS Models Used On	Notes	List Price Adder (\$US)	
				Outdoor	Beacon II™ Outdoor
MS.0012L	Variable Speed EC Motor with proportional pressure controller	2600-3000M6 Standard Models (230V & 460V) 3000L6 Standard Model (230V & 460V) 1501-2001H6 High Efficiency Models (230V & 460V) 2701L6-3001L6 High Efficiency Models (230V & 460V)	-	18,372	18,372
MS.0013L	Variable Speed EC Motor with proportional pressure controller	3500-4000M6 Standard Models (230V & 460V) 2501-3001H6 High Efficiency Models (230V & 460V)	-	26,512	26,512
MS.0014L	Variable Speed EC Motor with proportional pressure controller	3501-4001H6 High Efficiency Models (230V & 460V)	-	34,652	34,652
Mechanical Options					
LIQ.003-1	Replaceable core liquid-line filter drier & sight glass	1200-2201	-	457	457
LIQ.003-2	Replaceable core liquid-line filter drier & sight glass	2500-4001	-	672	672
LIQ.002-1	Liquid-line solenoid valve	1200-2201	Not recommended on applications with line runs more than 25 feet.	920	-
LIQ.002-2	Liquid-line solenoid valve	2500-4001	Not recommended on applications with line runs more than 25 feet.	987	-
SUC.003-1	Suction-line filter	1200-2001	-	1,240	1,240
SUC.003-2	Suction-line filter	2200-4001	-	1,588	1,588
SUC.005-1	Replaceable core suction-line filter	1200-2001	-	1,622	1,622
SUC.005-2	Replaceable core suction-line filter	2200-4001	-	1,694	1,694
SUC.007-1	Suction accumulator	1200-2001	-	2,649	2,649
SUC.007-2	Suction accumulator	2200-4001	-	3,039	3,039
DIS.001-1	Oil separator with discharge line check valve	1200-3001	-	1,588	1,588
DIS.001-2	Oil separator with discharge line check valve	3500-4001	-	2,685	2,685
MUF.001	Discharge muffler	All	-	450	450

Regulation Requires Variable Speed Fan Motors!

California Energy Commission Title 24, Section 126

Effective 01/01/2010, refrigerated warehouses with a total cold storage and frozen storage area exceeding 3,000 square feet require:

1. All condenser fans for air-cooled condensers/condensing units shall be continuously variable speed and the condensing temperature or pressure control system shall control the speed of all condenser fans serving a common condenser loop in unison. The minimum condensing temperature set point shall be less than or equal to 70 degrees Fahrenheit or reset in response to ambient dry bulb temperature or refrigeration system load.
2. All single phase condenser/condensing unit fan motors less than 1 horsepower and less than 460 volts shall be either permanent split capacitor or electronically commutated

12 - 40 HP Vertical Air Discharge

Factory-Installed Options

Need Factory-Installed Options?

- Make sure you have selected a configurable model. When ordering, remember to specify the option codes and list price adders for each selected option.
- Can't Find Something? Other options and accessories might be available on a custom order basis. Please contact your local Sales Representative or Account Engineer for assistance.

Option Code	Description	CDV/CDVS Models Used On	Notes	List Price Adder (\$US)	
				Outdoor	Beacon II™ Outdoor
DIS.002-1	Three way heat reclaim valve with check valve installed	1200-2000	-	1,640	1,640
DIS.002-2	Three way heat reclaim valve with check valve installed	2001-4001	-	2,403	2,403
UNL.001	Compressor Unloading - with pressure control for (1) cyl. Bank	All	-	1,630	-
DMD.001	Demand Cooling for low temperature R-22	-	-	2,298	2,298
REC.001-1	Low Ambient kit with heated and insulated receiver and time delay relay	1200-3001	-	2,509	2,509
REC.001-2	Low Ambient kit with heated and insulated receiver and time delay relay	3500-4001	-	3,296	3,296
Coil Options					
CS.PRO-1	Polyester coated condenser fin protection	1200-3000 Standard Models 1201-2201 High Efficiency Models	-	1,930	1,930
CS.PRO-2	Polyester coated condenser fin protection	2501-3001 High Efficiency Models	-	2,424	2,424
CS.PRO-3	Polyester coated condenser fin protection	3500-4000 Standard Models	-	2,471	2,471
CS.PRO-4	Polyester coated condenser fin protection	3501-4001 High Efficiency Models	-	3,464	3,464
CS.ELEC-1	ElectroFin coil coating	1200-3000 Standard Models 1201-2201 High Efficiency Models	-	Call Factory	Call Factory
CS.ELEC-2	ElectroFin coil coating	2501-3001 High Efficiency Models	-	Call Factory	Call Factory
CS.ELEC-3	ElectroFin coil coating	3500-4000 Standard Models	-	Call Factory	Call Factory
CS.ELEC-4	ElectroFin coil coating	3501-4001 High Efficiency Models	-	Call Factory	Call Factory
CS.CPR-1	Copper condenser fins	1200-3000 Standard Models 1201-2201 High Efficiency Models	-	Call Factory	Call Factory
CS.CPR-2	Copper condenser fins	2501-3001 High Efficiency Models	-	Call Factory	Call Factory
CS.CPR-3	Copper condenser fins	3500-4000 Standard Models	-	Call Factory	Call Factory
CS.CPR-4	Copper condenser fins	3501-4001 High Efficiency Models	-	Call Factory	Call Factory
CS.BRZ-1	Bronz-Glow coil coating	1200-3000 Standard Models 1201-2201 High Efficiency Models	-	Call Factory	Call Factory
CS.BRZ-2	Bronz-Glow coil coating	2501-3001 High Efficiency Models	-	Call Factory	Call Factory
CS.BRZ-3	Bronz-Glow coil coating	3500-4000 Standard Models	-	Call Factory	Call Factory
CS.BRZ-4	Bronz-Glow coil coating	3501-4001 High Efficiency Models	-	Call Factory	Call Factory

12 - 40 HP Vertical Air Discharge Factory-Installed Electric Defrost Options

Need an electric defrost kit?

- Make sure you have selected a configurable model. When ordering, remember to specify the option codes and list price adders for each selected option.
- Electric defrost kits and components are available to be factory mounted in the electrical box of indoor or outdoor condensing units used in medium/low temp applications with electric defrost evaporators.

Selecting the proper kit is as easy as ...

1

Add up the total fan motor amps and electric heater amps for all evaporators in the refrigeration system.

2

For the selected condensing unit, contact your local Sales Representative or Account Engineer to find out the rated defrost power amps for both the fan motor amps and electric heater amps. The condensing unit data plate ratings are based on the actual system match.

3

Your local Sales Representative or Account Engineer will help you select the proper electric defrost kit and components.

Definitions

Electric Defrost Timer

Initiates and terminates defrost cycles based on a predetermined time schedule.

Lockout Relay

Prevents the electric defrost heaters from energizing when the compressor is in operation.

Evaporator Hold Out Relay

Allows each evaporator to individually terminate defrost on temperature when multiple evaporators are used in a single system.

Fan Contactor

Carries amperage load for evaporator fan motors.

Heater Contactor

Carries amperage load for evaporator electric defrost heaters.

InterLink™ Smart Defrost Kit™ (SDK)

The InterLink™ SDK is a revolutionary product that is designed to be used on any electric defrost walk-in freezer system with an electro-mechanical defrost timer set for three or more scheduled defrosts per day. The InterLink™ SDK accurately estimates frost accumulation on the evaporator coil and decides if it can skip the preprogrammed defrost period that is set on the defrost timer. This helps eliminate unneeded defrost cycles, saving energy and increasing product integrity

Option Code	Description	CDV/CDVS Models Used On	Notes	List Price Adder (\$US)
				Outdoor
DFT.014	Electric Defrost Kit for system with one evaporator - Low Amps (1L)	1200-2201L6 (230V) 1500-2001M6 (460V) 1200-3001L6 (460V)	Includes (1) electric defrost timer, (1) heater & (1) fan contactors, terminal strip	1,760
DFT.015	Electric Defrost Kit for system with one evaporator - High Amps (1H)	1200-2201L6 (230V) 1500-2001M6 (460V) 1200-3001L6 (460V)	Includes (1) electric defrost timer, (1) heater & (1) fan contactors, terminal strip	1,760
DFT.011	Electric Defrost Kit for system with two evaporators - Low Amps (2L)	1500-2001M6 (230V) 1500-4001M6 (460V) 1200-3001L6 (230V & 460V)	Includes (1) electric defrost timer, (2) heater & (1) fan contactors, terminal strip	2,534
DFT.012	Electric Defrost Kit for system with two evaporators - High Amps (2H)	1500-2001M6 (230V) 1500-4001M6 (460V) 1200-3001L6 (230V & 460V)	Includes (1) electric defrost timer, (2) heater & (1) fan contactors, terminal strip	2,534
DFT.009	Electric Defrost Kit for system with up to four evaporators - Low Amps (4L)	1500-4001M6 (all voltages) 1500-3001L6 (all voltages)	Includes (1) electric defrost timer, (4) heater & (1) fan contactors, terminal strip	3,304
DFT.010	Electric Defrost Kit for system with up to four evaporators - High Amps (4H)	1500-4001M6 (all voltages) 1500-3001L6 (all voltages)	Includes (1) electric defrost timer, (4) heater & (1) fan contactors, terminal strip	3,304
DEF.017	Fuses for electric defrost kits (1L/1H)	1200-2201L6 (230V) 1500-2001M6 (460V) 1200-3001L6 (460V)	For systems with one evaporator	441

12 - 40 HP Vertical Air Discharge Factory-Installed Electric Defrost Options

Option Code	Description	CDV/CDVS Models Used On	Notes	List Price Adder (\$US)
				Outdoor
DEF.039	Fuses for electric defrost kits (2L/2H)	1500-2001M6 (230V) 1500-4001M6 (460V) 1200-3001L6 (230V & 460V)	For systems with two evaporators	881
DEF.052	Fuses for electric defrost kits (4L/4H)	1500-4001M6 (all voltages) 1500-3001L6 (all voltages)	For systems with up to four evaporators	1,767
EHR.001	Evaporator hold out relays - 2 Evaps & 2 Contactors (2L/2H)	1500-2001M6 (230V) 1500-4001M6 (460V) 1200-3001L6 (230V & 460V)	For use with 2L/2H Electric Defrost Kits with two evaporators	340
EHR.002	Evaporator hold out relays - 2 Evaps & 4 Contactors (4L/4H)	1500-2001M6 (230V) 1500-4001M6 (460V) 1200-3001L6 (230V & 460V)	For use with 4L/4H Electric Defrost Kits with only two evaporators	340
EHR.003	Evaporator hold out relays - 4 Evaps & 4 Contactors (4L/4H)	1500-2001M6 (230V) 1500-4001M6 (460V) 1200-3001L6 (230V & 460V)	For use with 4L/4H Electric Defrost Kits with four evaporators	680
SDK.001	InterLink™ Smart Defrost Kit™	All	Can not be used alone. Must also select a electric defrost timer or electric defrost kit.	836

12 - 40 HP Vertical Air Discharge Shipped-Loose Accessories

A wide range of shipped-loose accessories are available to order. Can't Find Something? Other options and accessories might be available on a custom order basis. Please contact your local Sales Representative or Account Engineer for assistance.

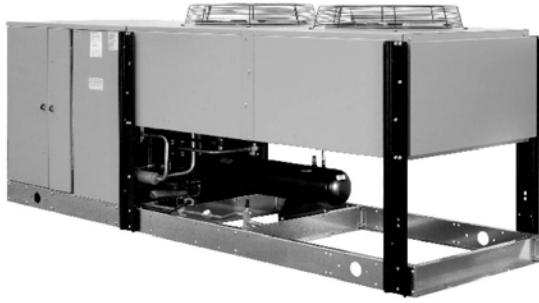
Crankcase Pressure Regulator (CPR) Valves

A selection program must be used to pick the proper valve. The selection program requires the following inputs: system capacity, suction temperature, and maximum holding temperature. Not available for use on Beacon II™ Outdoor units. Should not be used with MOP type expansion valves in unit coolers. Please contact your local Sales Representative or Account Engineer for assistance.

Size	Part Number	List Price (\$US)
7/8"	29346101	385
1 1/8"	29399012	565
1 3/8"	4227W	1,546
1 5/8"	4262Q	2,419
2 1/8"	29399089	2,774

13 - 50 HP Vertical Air Discharge

Overview



Product Description

The 13-50 HP condensing unit product line with Bitzer® compressors is designed to meet the needs of a demanding commercial and industrial refrigeration market. The product is configured to be flexible in its design and construction to allow it to respond to the requirements of refrigeration contractors, consulting engineers and facility owners/operators. The Floating Tube™ coil design incorporated in the product provides protection against tube sheet leaks.

Opting for the Beacon II™ refrigeration system with Smart Defrost, Factory installed Defrost Kit™ (SDK) or Variable Speed EC motors increases this product's energy efficiency and qualifies it for the **E Solutions™** product portfolio

Certifications



Cabinet & Construction

- All units feature the Floating Tube™ coil which eliminates tube sheet leaks
- Painted steel cabinets for superior strength and corrosion resistance

Serviceability

- Manual pumpdown switch on all units
- Convenient access panels to easily service internal components
- Large electrical panel to facilitate ease of access

Quality

- Sight glass is easily viewable
- Fixed high pressure switch eliminates capillary tubes
- Refrigeration duty, rifled copper tubing
- Piping is pre-bent to eliminate braze joints, where possible, to reduce leak potential
- All joints are sweat type connections, no mechanical joints to leak
- Separate sub-cooling circuit in condenser for added capacity and vapor free liquid
- Pressure relief valve on receiver
- ServiceMate™ diagnostic module standard on all non-Beacon™ condensing units

Components

Compressor

- Units feature Bitzer® semi-hermetic compressors.
- Available with compressor unloading
- Receivers are sized for sufficient pumpdown capacity with inlet and outlet service valves

Other

- Sight glass and permanent liquid line filter

Nomenclature

H	D	V	300B	L	6	C
Model	Head Pressure Control	Style	Equiv. HP	Operating Range	Refrigerant	Voltage
H = Chandler	D - Adjustable Head Pressure Control	V = Vertical VS = Vertical Beacon II™	130B = 13HP 150B = 15HP 200B = 20HP 220B = 22HP 250B = 25HP 300B = 30HP 330B = 33HP 350B = 35HP 400B = 40HP 500B = 50HP	L = Low M = Medium	6 = R-404A/507	C = 208-230/3/60 D = 460/3/60

13 - 50 HP Vertical Air Discharge

Configurable Models Pricing

Configurable Models

Outdoor

- Prepainted galvanized cabinet with easily removable service panels
- Condenser built with rifled tubing and a separate subcooler coil for extra performance
- Adjustable flooded head pressure valves on all models
- Liquid line with drier, sight glass, and shut-off valve
- Electronic oil safety control
- Spring mounted compressors with suction and discharge vibration eliminators
- Large electrical panel, including compressor contactor and pump-down switch
- Fixed high pressure control and separate adjustable low pressure control with flexible braided hose
- Crankcase heater
- ServiceMate™ Diagnostic Module

Beacon II™ Outdoor

- Prepainted galvanized cabinet with easily removable service panels
- Condenser built with rifled tubing and a separate subcooler coil for extra performance
- Adjustable flooded head pressure valves on all models
- Liquid line with drier, sight glass, and shut-off valve
- Electronic oil safety control
- Spring mounted compressors with suction and discharge vibration eliminators
- Large electrical panel, including compressor contactor and pump-down switch
- Fixed high pressure control and separate adjustable low pressure control with flexible braided hose
- Crankcase heater
- Wired for Beacon II™ control with fan cycling.

Need to customize? Look at the factory-installed options starting on page 117.

Outdoor		Beacon II™ Outdoor		Voltage
Chandler Model	List Price (\$US)	Chandler Model	List Price (\$US)	
Medium Temperature R-404A/507				
HDV150BM6C	36,817	HDVS150BM6C	38,621	208-230/3/60
HDV150BM6D	37,258	HDVS150BM6D	39,084	460/3/60
HDV200BM6C	42,927	HDVS200BM6C	45,031	208-230/3/60
HDV200BM6D	43,441	HDVS200BM6D	45,571	460/3/60
HDV220BM6C	48,881	HDVS220BM6C	51,275	208-230/3/60
HDV220BM6D	49,468	HDVS220BM6D	51,891	460/3/60
HDV250BM6C	54,901	HDVS250BM6C	57,590	208-230/3/60
HDV250BM6D	55,560	HDVS250BM6D	58,284	460/3/60
HDV300BM6C	57,933	HDVS300BM6C	60,772	208-230/3/60
HDV300BM6D	58,628	HDVS300BM6D	61,502	460/3/60
HDV330BM6C	64,892	HDVS330BM6C	68,072	208-230/3/60
HDV330BM6D	65,671	HDVS330BM6D	68,888	460/3/60
HDV350BM6C	72,571	HDVS350BM6C	76,125	208-230/3/60
HDV350BM6D	73,441	HDVS350BM6D	77,040	460/3/60
HDV400BM6C	79,811	HDVS400BM6C	83,721	208-230/3/60
HDV400BM6D	80,770	HDVS400BM6D	84,727	460/3/60
HDV500BM6C	91,793	HDVS500BM6C	96,292	208-230/3/60
HDV500BM6D	92,895	HDVS500BM6D	97,446	460/3/60
Low Temperature R-404A/507				
HDV130BL6C	38,077	HDVS130BL6C	40,095	208-230/3/60
HDV130BL6D	38,610	HDVS130BL6D	40,656	460/3/60
HDV150BL6C	42,339	HDVS150BL6C	44,584	208-230/3/60
HDV150BL6D	42,932	HDVS150BL6D	45,208	460/3/60
HDV200BL6C	49,290	HDVS200BL6C	51,903	208-230/3/60
HDV200BL6D	49,981	HDVS200BL6D	52,630	460/3/60
HDV220BL6C	53,406	HDVS220BL6C	56,237	208-230/3/60
HDV220BL6D	54,152	HDVS220BL6D	57,024	460/3/60

Outdoor		Beacon II™ Outdoor		Voltage
Chandler Model	List Price (\$US)	Chandler Model	List Price (\$US)	
HDV250BL6C	59,255	HDVS250BL6C	62,395	208-230/3/60
HDV250BL6D	60,085	HDVS250BL6D	63,269	460/3/60
HDV300BL6C	62,546	HDVS300BL6C	65,860	208-230/3/60
HDV300BL6D	63,420	HDVS300BL6D	66,782	460/3/60
HDV400BL6C	72,571	HDVS400BL6C	76,417	208-230/3/60
HDV400BL6D	73,586	HDVS400BL6D	77,486	460/3/60

13 - 50 HP Vertical Air Discharge

Factory-Installed Options

Need Factory-Installed Options?

- Make sure you have selected a configurable model. When ordering, remember to specify the option codes and list price adders for each selected option.
- Can't Find Something? Other options and accessories might be available on a custom order basis. Please contact your local Sales Representative or Account Engineer for assistance.

Option Code	Description	Models Used On	Notes	List Price Adder (\$US)	
				Outdoor	Beacon II™ Outdoor
Electrical Options					
DFT.001	Defrost Timer - Air	All M6	Medium temperature applications only.	540	-
FCY.001-1	Fan Cycling - Temperature	130B-250B	Fan closest to the header is not cycled.	1,716	-
FCY.001-2	Fan Cycling - Temperature	300B-350B	Fan closest to the header is not cycled.	2,044	-
FCY.001-3	Fan Cycling - Temperature	400B-500B	Fan closest to the header is not cycled.	2,330	-
FCY.002-1	Fan Cycling - Pressure	130B-250B	Fan closest to the header is not cycled.	1,716	Press. Std.
FCY.002-2	Fan Cycling - Pressure	300B-350B	Fan closest to the header is not cycled.	2,044	Press. Std.
FCY.002-3	Fan Cycling - Pressure	400B-500B	Fan closest to the header is not cycled.	2,330	Press. Std.
FSD.001-1	Fused Disconnect	130B-220B (230V)	-	1,633	1,633
FSD.001-2	Fused Disconnect	130B-250B (460V) 300B only (230V)	-	2,379	2,379
FSD.001-3	Fused Disconnect	300B-400B (460V)	-	3,464	3,464
NFD.008-1	Non-Fused Disconnect	130B-250B (230V)	-	1,532	1,532
NFD.008-2	Non-Fused Disconnect	130B-250B (460V) 300B only (230V)	-	2,206	2,206
NFD.008-3	Non-Fused Disconnect	300B-400B (460V)	-	3,227	3,227
CBK.002-2	Compressor Circuit Breaker	230V	-	2,534	2,534
CBK.002-1	Compressor Circuit Breaker	460V	-	1,177	1,177
PLM.00X	Phase Loss Monitor	All	-	1,109	1,109
TDR.002	Anti-short Cycling Timer	All	-	640	640
HPS.001	Manual Reset High Pressure Switch	All	-	306	306
MS.0012C	Variable Speed EC Motor with proportional pressure controller	150BM6 (230V) 130B-200BL6 (230V)	-	4,949	4,949
MS.0012D	Variable Speed EC Motor with proportional pressure controller	150BM6 (460V) 130B-200BL6 (460V)	-	15,094	15,094
MS.0012L	Variable Speed EC Motor with proportional pressure controller	200B-250BM6 (230V & 460V) 220B-300BL6 (230V & 460V)	-	18,372	18,372
MS.0013L	Variable Speed EC Motor with proportional pressure controller	300B-350BM6 (230V & 460V) 400BL6 (230V & 460V)	-	26,512	26,512
MS.0014L	Variable Speed EC Motor with proportional pressure controller	400B-500BM6 (230V & 460V)	-	34,652	34,652
Mechanical Options					
LIQ.003-1	Replaceable core liquid-line filter drier & sight glass	130B-220B	-	457	457
LIQ.003-2	Replaceable core liquid-line filter drier & sight glass	250B-400B	-	672	672

Regulation Requires Variable Speed Fan Motors!

California Energy Commission Title 24, Section 126

Effective 01/01/2010, refrigerated warehouses with a total cold storage and frozen storage area exceeding 3,000 square feet require:

1. All condenser fans for air-cooled condensers/condensing units shall be continuously variable speed and the condensing temperature or pressure control system shall control the speed of all condenser fans serving a common condenser loop in unison. The minimum condensing temperature set point shall be less than or equal to 70 degrees Fahrenheit or reset in response to ambient dry bulb temperature or refrigeration system load.
2. All single phase condenser/condensing unit fan motors less than 1 horsepower and less than 460 volts shall be either permanent split capacitor or electronically commutated.

13 - 50 HP Vertical Air Discharge

Factory-Installed Options

Need Factory-Installed Options?

- Make sure you have selected a configurable model. When ordering, remember to specify the option codes and list price adders for each selected option.
- Can't Find Something? Other options and accessories might be available on a custom order basis. Please contact your local Sales Representative or Account Engineer for assistance.

Option Code	Description	Models Used On	Notes	List Price Adder (\$US)	
				Outdoor	Beacon II™ Outdoor
LIQ.003-3	Replaceable core liquid-line filter drier & sight glass	500B	-	804	804
LIQ.002-1	Liquid-line solenoid valve	130B-220B	Not recommended on applications with line runs more than 25 feet.	920	-
LIQ.002-2	Liquid-line solenoid valve	250B-400B	Not recommended on applications with line runs more than 25 feet.	987	-
LIQ.002-3	Liquid-line solenoid valve	500B	Not recommended on applications with line runs more than 25 feet.	1,185	-
SUC.003-1	Suction-line filter	130B-220B	-	1,240	1,240
SUC.003-2	Suction-line filter	250B-400B	-	1,588	1,588
SUC.003-3	Suction-line filter	500B	-	1,987	1,987
SUC.005-1	Replaceable core suction-line filter	130B-220B	-	1,622	1,622
SUC.005-2	Replaceable core suction-line filter	250B-400B	-	1,694	1,694
SUC.005-3	Replaceable core suction-line filter	500B	-	2,119	2,119
SUC.007-1	Suction accumulator	130B-220B	-	2,649	2,649
SUC.007-2	Suction accumulator	250B-400B	-	3,039	3,039
SUC.007-3	Suction accumulator	500B	-	3,950	3,950
DIS.001-1	Oil separator with discharge line check valve	130B-330B	-	1,589	1,589
DIS.001-2	Oil separator with discharge line check valve	350B-400B	-	2,685	2,685
DIS.001-3	Oil separator with discharge line check valve	500B	-	3,223	3,223
MUF.001	Discharge muffler	All	-	450	450
DIS.002-1	Three way heat reclaim valve with check valve installed	130B-200B	-	1,640	1,640
DIS.002-2	Three way heat reclaim valve with check valve installed	220B-400B	-	2,403	2,403
DIS.002-3	Three way heat reclaim valve with check valve installed	500B	-	2,884	2,884
UNL.001	Compressor Unloading - with pressure control for (1) cyl. Bank	All	-	1,630	-
REC.001-1	Low Ambient kit with heated and insulated receiver and time delay relay	130B-330B	-	2,509	2,509
REC.001-2	Low Ambient kit with heated and insulated receiver and time delay relay	350B-500B	-	3,296	3,296
Coil Options					
CS.PRO-1	Polyester coated condenser fin protection	130B-330B	-	1,930	1,930
CS.PRO-2	Polyester coated condenser fin protection	350B-500B	-	2,471	2,471
CS.ELEC-1	ElectroFin coil coating	130B-330B	-	Call Factory	Call Factory
CS.ELEC-2	ElectroFin coil coating	350B-500B	-	Call Factory	Call Factory
CS.CPR-1	Copper condenser fins	130B-330B	-	Call Factory	Call Factory
CS.CPR-2	Copper condenser fins	350B-500B	-	Call Factory	Call Factory
CS.BRZ-1	Bronz-Glow coil coating	130B-300B	-	Call Factory	Call Factory
CS.BRZ-2	Bronz-Glow coil coating	330B-500B	-	Call Factory	Call Factory

13 - 50 HP Vertical Air Discharge

Factory-Installed Electric Defrost Options

Need an electric defrost kit?

- Make sure you have selected a configurable model. When ordering, remember to specify the option codes and list price adders for each selected option.
- Electric defrost kits and components are available to be factory mounted in the electrical box of indoor or outdoor condensing units used in medium/low temp applications with electric defrost evaporators.

Selecting the proper kit is as easy as ...

- 1** Add up the total fan motor amps and electric heater amps for all evaporators in the refrigeration system.
- 2** For the selected condensing unit, contact your local Sales Representative or Account Engineer to find out the rated defrost power amps for both the fan motor amps and electric heater amps. The condensing unit data plate ratings are based on the actual system match.
- 3** Your local Sales Representative or Account Engineer will help you select the proper electric defrost kit and components.

Definitions

Electric Defrost Timer

Initiates and terminates defrost cycles based on a predetermined time schedule.

Lockout Relay

Prevents the electric defrost heaters from energizing when the compressor is in operation.

Evaporator Hold Out Relay

Allows each evaporator to individually terminate defrost on temperature when multiple evaporators are used in a single system.

Fan Contactor

Carries amperage load for evaporator fan motors.

Heater Contactor

Carries amperage load for evaporator electric defrost heaters.

InterLink™ Smart Defrost Kit™ (SDK)

The InterLink™ SDK is a revolutionary product that is designed to be used on any electric defrost walk-in freezer system with an electro-mechanical defrost timer set for three or more scheduled defrosts per day. The InterLink™ SDK accurately estimates frost accumulation on the evaporator coil and decides if it can skip the preprogrammed defrost period that is set on the defrost timer. This helps eliminate unneeded defrost cycles, saving energy and increasing product integrity

Option Code	Description	Models Used On	Notes	List Price Adder (\$US)
				Outdoor
DFT.00X1	Electric Defrost Kit for system with one evaporator	All Models 230 and 460V	Includes (1) electric defrost timer, (1) heater & (1) fan contactors, terminal strip, and fusing. 48 amp maximum heater load per heater contactor.	2,202
DFT.00X2	Electric Defrost Kit for system with two evaporators	All Models 230 and 460V	Includes (1) electric defrost timer, (2) heater & (1) fan contactors, terminal strip, and fusing. 48 amp maximum heater load per heater contactor.	3,754
DFT.00X4	Electric Defrost Kit for system with four evaporators	All Models 230 and 460V	Includes (1) electric defrost timer, (4) heater & (1) fan contactors, terminal strip, and fusing. 48 amp maximum heater load per heater contactor.	5,750
SDK.001	InterLink™ Smart Defrost Kit™	All	Can not be used alone. Must also select a electric defrost timer or electric defrost kit.	836

13 - 50 HP Vertical Air Discharge**Shipped-Loose Accessories**

A wide range of shipped-loose accessories are available to order. Can't Find Something? Other options and accessories might be available on a custom order basis. Please contact your local Sales Representative or Account Engineer for assistance.

Crankcase Pressure Regulator (CPR) Valves

A selection program must be used to pick the proper valve. The selection program requires the following inputs: system capacity, suction temperature, and maximum holding temperature. Not available for use on Beacon II™ Outdoor units. Should not be used with MOP type expansion valves in unit coolers. Please contact your local Sales Representative or Account Engineer for assistance.

Size	Part Number	List Price (\$US)
7/8"	29346101	385
1 1/8"	29399012	565
1 3/8"	4227W	1,546
1 5/8"	4262Q	2,419
2 1/8"	29399089	2,774

24 - 80 HP Dual Compressor

Overview



Product Description:

The 24-80 HP Dual Vertical condensing unit is designed to meet the needs of a demanding commercial and industrial refrigeration market. The product is configured to be flexible in its design and construction to allow it to respond to the requirements of refrigeration contractors, consulting engineers and facility owners/operators. The Floating Tube™ coil design incorporated in the product provides protection against tube sheet leaks.

Opting for the Beacon II™ refrigeration system with Smart Defrost, factory installed Smart Defrost Kit™ (SDK) or Variable Speed EC motors increases this product's energy efficiency and qualifies it for the **E Solutions™** product portfolio.

Certifications



Cabinet & Construction

- All units feature the Floating Tube™ coil which eliminates tube sheet leaks
- Painted steel cabinets for superior strength and corrosion resistance
- Available in standard or parallel piped configurations

Serviceability

- Manual pumpdown switch on all units
- Convenient access panels to easily service internal components
- Large electrical panel to facilitate ease of access

Quality

- Sight glass is easily viewable
- Fixed high pressure switch eliminates capillary tubes
- Refrigeration duty, rifled copper tubing
- Piping is pre-bent to eliminate braze joints, where possible, to reduce leak potential
- All joints are sweat type connections, no mechanical joints to leak
- Separate sub-cooling circuit in condenser for added capacity and vapor free liquid
- Pressure relief valve on receiver
- ServiceMate™ diagnostic module standard on all non-Beacon II™ condensing unit

Components

Compressor

- Spring-mounted compressors with suction and discharge eliminators
- Receivers are sized for sufficient pumpdown capacity with inlet and outlet service valves

Other

- Sight glass and permanent liquid line filter

Nomenclature

HDD	2400	L	6	C	PP
Model	Equiv. HP	Operating Range	Refrigerant	Voltage	Pipes
HDD=Adjustable Head Pressure Control HDDS = Beacon II™ vertical discharge	2400 = 24HP 3000 = 30HP 4000 = 40HP 4400 = 44HP 5000 = 50HP 5400 = 54HP 6000 = 60HP 7000 = 70HP 8000 = 80HP	L = Low M = Medium	6 = R-404A/507, or R-22	C = 208-230/3/60 D = 460/3/60 K = 230/3/60	PP = Parallel Piped* No "PP" = Standard Piped

* Not available with Beacon II™ System

24 - 80 HP Dual Compressor

Configurable Models Pricing

Configurable Models

Outdoor

- Prepainted galvanized cabinet with easily removable service panels
- Condenser built with rifled tubing and a separate subcooler coil for extra performance
- Flooded head pressure valves on all models
- Liquid line with drier, sight glass, and shut-off valve
- Parallel-piped units include replaceable core suction filter, replaceable liquid-line filter, suction accumulator, and oil management system.
- Electronic oil safety control
- Spring mounted compressors with suction and discharge vibration eliminators
- Large electrical panel, including compressor contactor and pump-down switch
- Fixed high pressure control and separate adjustable low pressure control with flexible braided hose
- ServiceMate™ Diagnostic Module

Beacon II™ Outdoor

- Prepainted galvanized cabinet with easily removable service panels
- Condenser built with rifled tubing and a separate subcooler coil for extra performance
- Flooded head pressure valves on all models
- Liquid line with drier, sight glass, and shut-off valve
- Electronic oil safety control
- Spring mounted compressors with suction and discharge vibration eliminators
- Large electrical panel, including compressor contactor and pump-down switch
- Fixed high pressure control and separate adjustable low pressure control with flexible braided hose
- Wired for Beacon II™ control with fan cycling.

Need to customize? Look at the factory-installed options starting on page 124.

Outdoor		Beacon II™ Outdoor		Voltage	Model Type	Notes
Chandler Model	List Price (\$US)	Chandler Model	List Price (\$US)			
Individually Piped Models: Medium Temperature (R-404A/507/22)						
HDD3000M6C	73,636	HDDS3000M6C	76,954	208-230/3/60	Individually Piped	-
HDD3000M6D	75,092	HDDS3000M6D	78,409	460/3/60	Individually Piped	-
HDD4000M6C	81,939	HDDS4000M6C	85,258	208-230/3/60	Individually Piped	-
HDD4000M6D	83,389	HDDS4000M6D	86,708	460/3/60	Individually Piped	-
HDD5000M6C	97,759	HDDS5000M6C	101,079	208-230/3/60	Individually Piped	-
HDD5000M6D	99,218	HDDS5000M6D	102,538	460/3/60	Individually Piped	-
HDD5200M6C	109,801	HDDS5200M6C	113,119	208-230/3/60	Individually Piped	-
HDD5200M6D	111,255	HDDS5200M6D	114,578	460/3/60	Individually Piped	-
HDD6000M6C	114,657	HDDS6000M6C	117,978	208-230/3/60	Individually Piped	-
HDD6000M6D	116,114	HDDS6000M6D	119,436	460/3/60	Individually Piped	-
HDD7000M6C	129,787	HDDS7000M6C	133,385	208-230/3/60	Individually Piped	-
HDD7000M6D	130,980	HDDS7000M6D	134,579	460/3/60	Individually Piped	-
HDD8000M6D	145,137	HDDS8000M6D	148,734	460/3/60	Individually Piped	-
HDD8000M6K	143,195	HDDS8000M6K	146,791	230/3/60	Individually Piped	-
Individually Piped Models: Low Temperature (R-404A/507/22)						
HDD2400L6C	75,500	HDDS2400L6C	78,822	208-230/3/60	Individually Piped	See Note 1, 2
HDD2400L6D	76,967	HDDS2400L6D	80,285	460/3/60	Individually Piped	See Note 1, 2
HDD3000L6C	79,036	HDDS3000L6C	82,357	208-230/3/60	Individually Piped	See Note 1, 2
HDD3000L6D	80,489	HDDS3000L6D	83,809	460/3/60	Individually Piped	See Note 1, 2
HDD4400L6C	92,761	HDDS4400L6C	96,078	208-230/3/60	Individually Piped	See Note 1, 2
HDD4400L6D	94,217	HDDS4400L6D	97,537	460/3/60	Individually Piped	See Note 1, 2
HDD5400L6C	106,614	HDDS5400L6C	109,935	208-230/3/60	Individually Piped	See Note 1, 2
HDD5400L6D	108,072	HDDS5400L6D	111,393	460/3/60	Individually Piped	See Note 1, 2
HDD6000L6C	118,292	HDDS6000L6C	121,613	208-230/3/60	Individually Piped	See Note 1, 2
HDD6000L6D	119,750	HDDS6000L6D	123,073	460/3/60	Individually Piped	See Note 1, 2

Notes:

1. L6 models include head cooling fan.
2. For R-22 low temperature operation, add Demand Cooling Kit.

Section 2

Air-Cooled Condensing Units

24 - 80 HP Dual Compressor

Configurable Models Pricing

Outdoor		Beacon II™ Outdoor		Voltage	Model Type	Notes
Chandler Model	List Price (\$US)	Chandler Model	List Price (\$US)			
Parallel-Piped Models: Medium Temperature (R-404A/507/22)						
HDD3000M6CPP	92,468	-	-	208-230/3/60	Parallel Piped	-
HDD3000M6DPP	93,832	-	-	460/3/60	Parallel Piped	-
HDD4000M6CPP	100,242	-	-	208-230/3/60	Parallel Piped	-
HDD4000M6DPP	101,599	-	-	460/3/60	Parallel Piped	-
HDD5000M6CPP	116,307	-	-	208-230/3/60	Parallel Piped	-
HDD5000M6DPP	117,671	-	-	460/3/60	Parallel Piped	-
HDD5200M6CPP	127,576	-	-	208-230/3/60	Parallel Piped	-
HDD5200M6DPP	128,942	-	-	460/3/60	Parallel Piped	-
HDD6000M6CPP	132,125	-	-	208-230/3/60	Parallel Piped	-
HDD6000M6DPP	133,489	-	-	460/3/60	Parallel Piped	-
HDD7000M6CPP	147,759	-	-	208-230/3/60	Parallel Piped	-
HDD7000M6DPP	148,877	-	-	460/3/60	Parallel Piped	-
HDD8000M6DPP	162,126	-	-	460/3/60	Parallel Piped	-
HDD8000M6KPP	160,308	-	-	230/3/60	Parallel Piped	-
Parallel-Piped Models: Low Temperature (R-404A/507/22)						
HDD2400L6CPP	94,214	-	-	208-230/3/60	Parallel Piped	See Note 1, 2
HDD2400L6DPP	95,587	-	-	460/3/60	Parallel Piped	See Note 1, 2
HDD3000L6CPP	97,525	-	-	208-230/3/60	Parallel Piped	See Note 1, 2
HDD3000L6DPP	98,884	-	-	460/3/60	Parallel Piped	See Note 1, 2
HDD4400L6CPP	111,234	-	-	208-230/3/60	Parallel Piped	See Note 1, 2
HDD4400L6DPP	112,597	-	-	460/3/60	Parallel Piped	See Note 1, 2
HDD5400L6CPP	124,596	-	-	208-230/3/60	Parallel Piped	See Note 1, 2
HDD5400L6DPP	125,962	-	-	460/3/60	Parallel Piped	See Note 1, 2
HDD6000L6CPP	135,527	-	-	208-230/3/60	Parallel Piped	See Note 1, 2
HDD6000L6DPP	136,889	-	-	460/3/60	Parallel Piped	See Note 1, 2

Notes:

1. L6 models include head cooling fan.
2. For R-22 low temperature operation, add Demand Cooling Kit.

24 - 80 HP Dual Compressor

Factory-Installed Options

Need Factory-Installed Options?

- Make sure you have selected a configurable model. When ordering, remember to specify the option codes and list price adders for each selected option.
- Can't Find Something? Other options and accessories might be available on a custom order basis. Please contact your local Sales Representative or Account Engineer for assistance.

Option Code	Description	Models Used On	Notes	List Price Adder (\$US)	
				Outdoor	Beacon II™ Outdoor
Electrical Options					
DFT.001	Defrost Timers - Air	All - Individually Piped	Medium temperature applications only.	1,080	-
DFT.021P	Defrost Timers - Air	All - Parallel Piped	Medium temperature applications only.	540	-
FCY.001-1	Fan Cycling - Temperature	2400-6000 Individually Piped	Fan closest to the header is not cycled.	3,432	-
FCY.010-1P	Fan Cycling - Temperature	2400-6000 Parallel Piped	Fan closest to the header is not cycled.	2,777	-
FCY.001-2	Fan Cycling - Temperature	7000-8000 Individually Piped	Fan closest to the header is not cycled.	4,087	-
FCY.010-2P	Fan Cycling - Temperature	7000-8000 Parallel Piped	Fan closest to the header is not cycled.	2,777	-
FCY.002-1	Fan Cycling - Pressure	2400-6000 Individually Piped	Fan closest to the header is not cycled.	3,432	Standard
FCY.002-1P	Fan Cycling - Pressure	2400-6000 Parallel Piped	Fan closest to the header is not cycled.	2,777	-
FCY.002-2	Fan Cycling - Pressure	7000-8000 Individually Piped	Fan closest to the header is not cycled.	4,087	Standard
FCY.011-2P	Fan Cycling - Pressure	7000-8000 Parallel Piped	Fan closest to the header is not cycled.	2,777	-
CBK.002-2	Compressor Circuit Breakers	230V - Individually Piped	-	5,070	5,070
CBK.002-2P	Compressor Circuit Breakers	230V - Parallel Piped	-	5,070	-
CBK.002-1	Compressor Circuit Breakers	460V - Individually Piped	-	2,357	2,357
CBK.002-1P	Compressor Circuit Breakers	460V - Parallel Piped	-	2,357	-
PLM.00X	Phase Loss Monitors	230V & 460V - Individually Piped	-	1,109	1,109
PLM.00XP	Phase Loss Monitors	230V & 460V - Parallel Piped	-	1,109	-
TDR.002	Anti-short Cycling Timers	All - Individually Piped	-	1,278	1,278
TDR.002P	Anti-short Cycling Timers	All - Parallel Piped	-	640	-
HPS.001	Manual Reset High Pressure Switches	All - Individually Piped	-	610	610
HPS.001P	Manual Reset High Pressure Switches	All - Parallel Piped	-	610	-
MS.0014S-1	Variable Speed EC Motor with proportional pressure controller	3000-5000M6 Parallel Piped (230V) 2400-5400L6 Parallel Piped (230V)	-	9,659	-
MS.0014S-2	Variable Speed EC Motor with proportional pressure controller	3000-5000M6 Individually Piped (230V) 2400-5400L6 Individually Piped (230V)	-	9,898	9,898
MS.0014L-1	Variable Speed EC Motor with proportional pressure controller	5200-6000M6 Parallel Piped (230V & 460V) 6000L6 Parallel Piped (230V & 460V)	-	34,652	-
MS.0014L-2	Variable Speed EC Motor with proportional pressure controller	5200-6000M6 Individually Piped (230V & 460V) 6000L6 Individually Piped (230V & 460V)	-	36,741	36,741
MS.0016L-1	Variable Speed EC Motor with proportional pressure controller	7000-8000M6 Parallel Piped (230V & 460V)	-	50,932	-
MS.0016L-2	Variable Speed EC Motor with proportional pressure controller	7000-8000M6 Individually Piped (230V & 460V)	-	53,021	53,021

Regulation Requires Variable Speed Fan Motors!

California Energy Commission Title 24, Section 126

Effective 01/01/2010, refrigerated warehouses with a total cold storage and frozen storage area exceeding 3,000 square feet require:

1. All condenser fans for air-cooled condensers/condensing units shall be continuously variable speed and the condensing temperature or pressure control system shall control the speed of all condenser fans serving a common condenser loop in unison. The minimum condensing temperature set point shall be less than or equal to 70 degrees Fahrenheit or reset in response to ambient dry bulb temperature or refrigeration system load.
2. All single phase condenser/condensing unit fan motors less than 1 horsepower and less than 460 volts shall be either permanent split capacitor or electronically commutated.

24 - 80 HP Dual Compressor

Factory-Installed Options

Need Factory-Installed Options?

- Make sure you have selected a configurable model. When ordering, remember to specify the option codes and list price adders for each selected option.
- Can't Find Something? Other options and accessories might be available on a custom order basis. Please contact your local Sales Representative or Account Engineer for assistance.

Option Code	Description	Models Used On	Notes	List Price Adder (\$US)	
				Outdoor	Beacon II™ Outdoor
Mechanical Options					
LIQ.003-1	Replaceable core liquid-line filter driers & sight glasses	2400-4400 Individually Piped	-	914	914
LIQ.003-1P	Replaceable core liquid-line filter driers & sight glasses	2400-4400 Parallel Piped	-	Standard	-
LIQ.003-2	Replaceable core liquid-line filter driers & sight glasses	5000-8000 Individually Piped	-	1,340	1,340
LIQ.003-2P	Replaceable core liquid-line filter driers & sight glasses	5000-8000 Parallel Piped	-	Standard	-
SUC.003-1	Suction-line filters	2400-4000 Individually Piped	-	2,479	2,479
SUC.003-1P	Suction-line filters	2400-4000 Parallel Piped	-	N/A	-
SUC.003-2	Suction-line filters	4400-8000 Individually Piped	-	3,175	3,175
SUC.003-2P	Suction-line filters	4400-8000 Parallel Piped	-	N/A	-
SUC.005-1	Replaceable core suction-line filters	2400-4000 Individually Piped	-	3,246	3,246
SUC.005-1P	Replaceable core suction-line filters	2400-4000 Parallel Piped	-	Standard	-
SUC.005-2	Replaceable core suction-line filters	4400-8000 Individually Piped	-	3,288	3,288
SUC.005-2P	Replaceable core suction-line filters	4400-8000 Parallel Piped	-	Standard	-
LIQ.002-1	Liquid-line solenoid valves	2400-4400 Individually Piped	Not recommended on applications with line runs more than 25 feet.	1,839	-
LIQ.002-1P	Liquid-line solenoid valves	2400-4400 Parallel Piped	Not recommended on applications with line runs more than 25 feet.	987	-
LIQ.002-2	Liquid-line solenoid valves	5000-8000 Individually Piped	Not recommended on applications with line runs more than 25 feet.	1,973	-
LIQ.002-2P	Liquid-line solenoid valves	5000-8000 Parallel Piped	Not recommended on applications with line runs more than 25 feet.	1,330	-
SUC.007-1	Suction accumulators	2400-4000 Individually Piped	-	5,299	5,299
SUC.007-1P	Suction accumulators	2400-4000 Parallel Piped	-	Standard	-
SUC.007-2	Suction accumulators	4400-8000 Individually Piped	-	6,077	6,077
SUC.007-2P	Suction accumulators	4400-8000 Parallel Piped	-	Standard	-
DIS.001-1	Oil separators with discharge line check valves	2400-6000 Individually Piped	-	3,175	3,175
DIS.001-1P	Oil separators with discharge line check valves	2400-6000 Parallel Piped	-	Standard	-
DIS.001-2	Oil separators with discharge line check valves	7000-8000 Individually Piped	-	5,370	5,370
DIS.001-2P	Oil separators with discharge line check valves	7000-8000 Parallel Piped	-	Standard	-
MUF.001	Discharge mufflers	All - Individually Piped	-	901	901
MUF.001P	Discharge mufflers	All - Parallel Piped	-	Call Factory	-
DIS.002-1	Three way heat reclaim valves with check valves installed	2400-4400 Individually Piped	-	4,805	4,804
DIS.002-1P	Three way heat reclaim valves with check valves installed	2400-4400 Parallel Piped	-	Call Factory	-
DIS.002-2	Three way heat reclaim valves with check valves installed	5000-6000 Individually Piped	-	6,260	6,260
DIS.002-2P	Three way heat reclaim valves with check valves installed	5000-6000 Parallel Piped	-	Call Factory	-

24 - 80 HP Dual Compressor

Factory-Installed Options

Need Factory-Installed Options?

- Make sure you have selected a configurable model. When ordering, remember to specify the option codes and list price adders for each selected option.
- Can't Find Something? Other options and accessories might be available on a custom order basis. Please contact your local Sales Representative or Account Engineer for assistance.

Option Code	Description	Models Used On	Notes	List Price Adder (\$US)	
				Outdoor	Beacon II™ Outdoor
DIS.002-3	Three way heat reclaim valves with check valves installed	7000-8000 Individually Piped	-	9,066	9,066
DIS.002-3P	Three way heat reclaim valves with check valves installed	7000-8000 Parallel Piped	-	Call Factory	-
UNL.001	Compressor Unloading - with pressure control for (1) cyl. Bank	All - Individually Piped	-	3,262	-
UNL.001P	Compressor Unloading - with pressure control for (1) cyl. Bank	All - Parallel Piped	-	3,262	-
DMD.001	Demand Cooling for low temperature R-22	2400-6000L6 Individually Piped	-	4,595	4,595
DMD.001P	Demand Cooling for low temperature R-22	2400-6000L6 Parallel Piped	-	4,595	-
REC.001-1	Low Ambient kits with heated and insulated receivers and time delay relays	2400-6000 Individually Piped	-	5,017	5,017
REC.001-1P	Low Ambient kits with heated and insulated receivers and time delay relays	2400-6000 Parallel Piped	-	5,017	-
REC.001-2	Low Ambient kits with heated and insulated receivers and time delay relays	7000-8000 Individually Piped	-	6,591	6,591
REC.001-2P	Low Ambient kits with heated and insulated receivers and time delay relays	7000-8000 Parallel Piped	-	6,591	-
Coil Options					
CSG.PRO-1	Polyester coated condenser fin protection	2400-5000	-	3,225	3,225
CSG.PRO-2	Polyester coated condenser fin protection	5200-6000	-	5,370	5,370
CSG.PRO-3	Polyester coated condenser fin protection	7000-8000	-	6,018	6,018
CS.ELEC-1	ElectroFin coil coating	2400-5000	-	-	Call Factory
CS.ELEC-2	ElectroFin coil coating	5200-6000	-	Call Factory	Call Factory
CS.ELEC-3	ElectroFin coil coating	7000-8000	-	Call Factory	Call Factory
CSB.CPR-1	Copper condenser fins	2400-5000	-	Call Factory	Call Factory
CSB.CPR-2	Copper condenser fins	5200-6000	-	Call Factory	Call Factory
CSB.CPR-3	Copper condenser fins	7000-8000	-	Call Factory	Call Factory
CS.BRZ-1	Bronz-Glow coil coating	2400-5000	-	Call Factory	Call Factory
CS.BRZ-2	Bronz-Glow coil coating	5200-6000	-	Call Factory	Call Factory
CS.BRZ-3	Bronz-Glow coil coating	7000-8000	-	Call Factory	Call Factory

24 - 80 HP Dual Compressor

Factory-Installed Electric Defrost Options

Need an electric defrost kit?

- Make sure you have selected a configurable model. When ordering, remember to specify the option codes and list price adders for each selected option.
- Electric defrost kits and components are available to be factory mounted in the electrical box of indoor or outdoor condensing units used in medium/low temp applications with electric defrost evaporators.

Selecting the proper kit is as easy as ...

1

Add up the total fan motor amps and electric heater amps for all evaporators in the refrigeration system.

2

For the selected condensing unit, contact your local Sales Representative or Account Engineer to find out the rated defrost power amps for both the fan motor amps and electric heater amps. The condensing unit data plate ratings are based on the actual system match.

3

Your local Sales Representative or Account Engineer will help you select the proper electric defrost kit and components.

Definitions

Electric Defrost Timer

Initiates and terminates defrost cycles based on a predetermined time schedule.

Lockout Relay

Prevents the electric defrost heaters from energizing when the compressor is in operation.

Evaporator Hold Out Relay

Allows each evaporator to individually terminate defrost on temperature when multiple evaporators are used in a single system.

Fan Contactor

Carries amperage load for evaporator fan motors.

Heater Contactor

Carries amperage load for evaporator electric defrost heaters.

InterLink™ Smart Defrost Kit™ (SDK)

The InterLink™ SDK is a revolutionary product that is designed to be used on any electric defrost walk-in freezer system with an electro-mechanical defrost timer set for three or more scheduled defrosts per day. The InterLink™ SDK accurately estimates frost accumulation on the evaporator coil and decides if it can skip the preprogrammed defrost period that is set on the defrost timer. This helps eliminate unneeded defrost cycles, saving energy and increasing product integrity

Option Code	Description	Models Used On	Notes	List Price Adder (\$US)
				Outdoor
DFT.016	Electric Defrost Kit for system with one evaporator per compressor circuit	3000-4000M6 (230V) Individually Piped 2400-6000L6 (230V) Individually Piped 2400-8000 (460V) Individually Piped	Includes (1) electric defrost timer, (1) heater & (1) fan contactors, terminal strip	3,520
DFT.016P	Electric Defrost Kit for system with one evaporator per compressor circuit	3000-4000M6 (230V) Parallel Piped 2400-6000L6 (230V) Parallel Piped 2400-8000 (460V) Parallel Piped	Includes (1) electric defrost timer, (1) heater & (1) fan contactors, terminal strip	2,980
DFT.013	Electric Defrost Kit for system with two evaporators per compressor circuit	3000-5200M6 (230V) Individually Piped 2400-6000L6 (230V) Individually Piped 2400-8000 (460V) Individually Piped	Includes (1) electric defrost timer, (2) heater & (1) fan contactors, terminal strip	5,070
DFT.013P	Electric Defrost Kit for system with two evaporators per compressor circuit	3000-5200M6 (230V) Parallel Piped 2400-6000L6 (230V) Parallel Piped 2400-8000 (460V) Parallel Piped	Includes (1) electric defrost timer, (2) heater & (1) fan contactors, terminal strip	4,530
DEF.XXX1	Fuses for electric defrost kit for system with one evaporator per compressor circuit	3000-4000M6 (230V) Individually Piped 2400-6000L6 (230V) Individually Piped 2400-8000 (460V) Individually Piped	-	881
DEF.XXX1P	Fuses for electric defrost kit for system with one evaporator per compressor circuit	3000-4000M6 (230V) Parallel Piped 2400-6000L6 (230V) Parallel Piped 2400-8000 (460V) Parallel Piped	-	881
DEF.XXX2	Fuses for electric defrost kit for system with two evaporators per compressor circuit	3000-5200M6 (230V) Individually Piped 2400-6000L6 (230V) Individually Piped 2400-8000 (460V) Individually Piped	-	1,761
DEF.XXX2P	Fuses for electric defrost kit for system with two evaporators per compressor circuit	3000-5200M6 (230V) Parallel Piped 2400-6000L6 (230V) Parallel Piped 2400-8000 (460V) Parallel Piped	-	1,761
SDK.001	InterLink™ Smart Defrost Kit™	All - Individually Piped	Can not be used alone. Must also select a electric defrost timer or electric defrost kit.	1,672
SDK.001P	InterLink™ Smart Defrost Kit™	All - Parallel Piped	Can not be used alone. Must also select a electric defrost timer or electric defrost kit.	N/A

24 - 80 HP Dual Compressor**Shipped-Loose Accessories**

A wide range of shipped-loose accessories are available to order. Can't Find Something? Other options and accessories might be available on a custom order basis. Please contact your local Sales Representative or Account Engineer for assistance.

Crankcase Pressure Regulator (CPR) Valves

A selection program must be used to pick the proper valve. The selection program requires the following inputs: system capacity, suction temperature, and maximum holding temperature. Must have one valve per compressor. Not available for use on Beacon II™ Outdoor units. Should not be used with MOP type expansion valves in unit coolers. Please contact your local Sales Representative or Account Engineer for assistance.

Size	Part Number	List Price (\$US)
7/8"	29346101	385
1 1/8"	29399012	565
1 3/8"	4227W	1,546
1 5/8"	4262Q	2,419
2 1/8"	29399089	2,774
2 5/8"	29314001	6,278

26 - 100 HP Dual Compressor

Overview



Product Description:

The 26-100 HP Dual Vertical condensing unit product line with Bitzer® compressors is designed to meet the needs of a demanding commercial and industrial refrigeration market. The product is configured to be flexible in its design and construction to allow it to respond to the requirements of refrigeration contractors, consulting engineers and facility owners/operators. The Floating Tube™ coil design incorporated in the product provides protection against tube sheet leaks.

Opting for the Beacon II™ refrigeration system Smart Defrost, factory installed Smart Defrost Kit™ (SDK) or Variable Speed EC motors increases this product's energy efficiency and qualifies it for the **E Solutions™** product portfolio.

Certifications



Cabinet & Construction

- All units feature the Floating Tube™ coil which eliminates tube sheet leaks
- Painted steel cabinets for superior strength and corrosion resistance

Serviceability

- Manual pumpdown switch on all units
- Convenient access panels to easily service internal components
- Large electrical panel to facilitate ease of access

Quality

- Sight glass is easily viewable
- Fixed high pressure switch eliminates capillary tubes
- Refrigeration duty, rifled copper condenser tubing
- Piping is pre-bent to eliminate braze joints, where possible, to reduce leak potential
- All joints are sweat type connections, no mechanical joints to leak
- Separate sub-cooling circuit in condenser for added capacity and vapor free liquid
- Pressure relief valve on receiver
- ServiceMate™ diagnostic module standard on all non-Beacon II™ condensing unit

Components

Compressor

- Units feature Bitzer® semi-hermetic compressors.
- Spring-mounted compressors with suction and discharge eliminators
- Receivers are sized for sufficient pumpdown capacity with inlet and outlet service valves

Other

- Sealed sight glass and liquid line filter

Nomenclature

H	D	D	260B	L	6	C
Model	Head Pressure Control	Airflow	Equiv. HP	Operating Range	Refrigerant	Voltage
H = Chandler	D = Adjustable Head Pressure Control	D = Vertical DS = Vertical Beacon II™	260B = 26HP 300B = 30HP 400B = 40HP 440B = 44HP 500B = 50HP 600B = 60HP 660B = 66HP 700B = 70HP 800B = 80HP 1100 = 100HP	L = Low M = Medium	6 = R-404A/507	C = 208-230/3/60 D = 460/3/60

26 - 100 HP Dual Compressor

Configurable Models Pricing

Configurable Models

Outdoor

- Prepainted galvanized cabinet with easily removable service panels
- Condenser built with rifled tubing and a separate subcooler coil for extra performance
- Flooded head pressure valves on all models
- Liquid line with drier, sight glass, and shut-off valve
- Parallel-piped units include replaceable core suction filter, replaceable liquid-line filter, suction accumulator, and oil management system.
- Electronic oil safety control
- Spring mounted compressors with suction and discharge vibration eliminators
- Large electrical panel, including compressor contactor and pump-down switch
- Fixed high pressure control and separate adjustable low pressure control with flexible braided hose
- ServiceMate™ Diagnostic Module

Beacon II™ Outdoor

- Prepainted galvanized cabinet with easily removable service panels
- Condenser built with rifled tubing and a separate subcooler coil for extra performance
- Flooded head pressure valves on all models
- Liquid line with drier, sight glass, and shut-off valve
- Electronic oil safety control
- Spring mounted compressors with suction and discharge vibration eliminators
- Large electrical panel, including compressor contactor and pump-down switch
- Fixed high pressure control and separate adjustable low pressure control with flexible braided hose
- Wired for Beacon II™ control with fan cycling.

Need to customize? Look at the factory-installed options starting on page 132.

Outdoor		Beacon II™ Outdoor		Voltage	Model Type	Notes
Chandler Model	List Price (\$US)	Chandler Model	List Price (\$US)			
Individually Piped Models: Medium Temperature (R-404A/507)						
HDD300BM6C	73,635	HDDS300BM6C	76,064	208-230/3/60	Individually Piped	-
HDD300BM6D	74,518	HDDS300BM6D	76,976	460/3/60	Individually Piped	-
HDD400BM6C	85,854	HDDS400BM6C	88,687	208-230/3/60	Individually Piped	-
HDD400BM6D	86,885	HDDS400BM6D	89,752	460/3/60	Individually Piped	-
HDD440BM6C	97,761	HDDS440BM6C	100,987	208-230/3/60	Individually Piped	-
HDD440BM6D	98,935	HDDS440BM6D	102,200	460/3/60	Individually Piped	-
HDD500BM6C	109,802	HDDS500BM6C	113,425	208-230/3/60	Individually Piped	-
HDD500BM6D	111,119	HDDS500BM6D	114,786	460/3/60	Individually Piped	-
HDD600BM6C	115,867	HDDS600BM6C	119,690	208-230/3/60	Individually Piped	-
HDD600BM6D	117,257	HDDS600BM6D	121,126	460/3/60	Individually Piped	-
HDD660BM6C	129,784	HDDS660BM6C	134,067	208-230/3/60	Individually Piped	-
HDD660BM6D	131,340	HDDS660BM6D	135,676	460/3/60	Individually Piped	-
HDD700BM6C	145,139	HDDS700BM6C	149,930	208-230/3/60	Individually Piped	-
HDD700BM6D	146,881	HDDS700BM6D	151,728	460/3/60	Individually Piped	-
HDD800BM6C	159,622	HDDS800BM6C	164,889	208-230/3/60	Individually Piped	-
HDD800BM6D	161,537	HDDS800BM6D	166,868	460/3/60	Individually Piped	-
HDD110BM6C	183,587	HDDS110BM6C	189,646	208-230/3/60	Individually Piped	-
HDD110BM6D	185,790	HDDS110BM6D	191,922	460/3/60	Individually Piped	-
Individually Piped Models: Low Temperature (R-404A/507)						
HDD260BL6C	76,154	HDDS260BL6C	78,818	208-230/3/60	Individually Piped	-
HDD260BL6D	77,220	HDDS260BL6D	79,922	460/3/60	Individually Piped	-
HDD300BL6C	84,678	HDDS300BL6C	87,643	208-230/3/60	Individually Piped	-
HDD300BL6D	85,864	HDDS300BL6D	88,868	460/3/60	Individually Piped	-
HDD400BL6C	98,581	HDDS400BL6C	102,031	208-230/3/60	Individually Piped	-
HDD400BL6D	99,960	HDDS400BL6D	103,460	460/3/60	Individually Piped	-
HDD440BL6C	106,810	HDDS440BL6C	110,548	208-230/3/60	Individually Piped	-
HDD440BL6D	108,307	HDDS440BL6D	112,097	460/3/60	Individually Piped	-

Air-Cooled Condensing Units

26 - 100 HP Dual Compressor

Configurable Models Pricing

Outdoor		Beacon II™ Outdoor		Voltage	Model Type	Notes
Chandler Model	List Price (\$US)	Chandler Model	List Price (\$US)			
HDD500BL6C	118,511	HDDS500BL6C	122,658	208-230/3/60	Individually Piped	-
HDD500BL6D	120,169	HDDS500BL6D	124,376	460/3/60	Individually Piped	-
HDD600BL6C	125,089	HDDS600BL6C	129,469	208-230/3/60	Individually Piped	-
HDD600BL6D	126,842	HDDS600BL6D	131,281	460/3/60	Individually Piped	-
HDD800BL6C	145,139	HDDS800BL6C	150,219	208-230/3/60	Individually Piped	-
HDD800BL6D	147,173	HDDS800BL6D	152,323	460/3/60	Individually Piped	-
Parallel-Piped Models: Medium Temperature (R-404A/507)						
HDD300BM6CPP	88,361	-	-	208-230/3/60	Parallel Piped	-
HDD300BM6DPP	89,422	-	-	460/3/60	Parallel Piped	-
HDD400BM6CPP	103,025	-	-	208-230/3/60	Parallel Piped	-
HDD400BM6DPP	104,262	-	-	460/3/60	Parallel Piped	-
HDD440BM6CPP	117,314	-	-	208-230/3/60	Parallel Piped	-
HDD440BM6DPP	118,721	-	-	460/3/60	Parallel Piped	-
HDD500BM6CPP	131,763	-	-	208-230/3/60	Parallel Piped	-
HDD500BM6DPP	133,344	-	-	460/3/60	Parallel Piped	-
HDD600BM6CPP	139,040	-	-	208-230/3/60	Parallel Piped	-
HDD600BM6DPP	140,708	-	-	460/3/60	Parallel Piped	-
HDD660BM6CPP	155,741	-	-	208-230/3/60	Parallel Piped	-
HDD660BM6DPP	157,610	-	-	460/3/60	Parallel Piped	-
HDD700BM6CPP	174,168	-	-	208-230/3/60	Parallel Piped	-
HDD700BM6DPP	176,258	-	-	460/3/60	Parallel Piped	-
HDD800BM6CPP	191,545	-	-	208-230/3/60	Parallel Piped	-
HDD800BM6DPP	193,844	-	-	460/3/60	Parallel Piped	-
HDD110BM6CPP	220,305	-	-	208-230/3/60	Parallel Piped	-
HDD110BM6DPP	222,948	-	-	460/3/60	Parallel Piped	-
Parallel-Piped Models: Low Temperature (R-404A/507)						
HDD260BL6CPP	91,386	-	-	208-230/3/60	Parallel Piped	-
HDD260BL6DPP	92,664	-	-	460/3/60	Parallel Piped	-
HDD300BL6CPP	101,614	-	-	208-230/3/60	Parallel Piped	-
HDD300BL6DPP	103,036	-	-	460/3/60	Parallel Piped	-
HDD400BL6CPP	118,298	-	-	208-230/3/60	Parallel Piped	-
HDD400BL6DPP	119,954	-	-	460/3/60	Parallel Piped	-
HDD440BL6CPP	128,172	-	-	208-230/3/60	Parallel Piped	-
HDD440BL6DPP	129,967	-	-	460/3/60	Parallel Piped	-
HDD500BL6CPP	142,212	-	-	208-230/3/60	Parallel Piped	-
HDD500BL6DPP	144,203	-	-	460/3/60	Parallel Piped	-
HDD600BL6CPP	150,108	-	-	208-230/3/60	Parallel Piped	-
HDD600BL6DPP	152,210	-	-	460/3/60	Parallel Piped	-
HDD800BL6CPP	174,168	-	-	208-230/3/60	Parallel Piped	-
HDD800BL6DPP	176,606	-	-	460/3/60	Parallel Piped	-

26 - 100 HP Dual Compressor

Factory-Installed Options

Need Factory-Installed Options?

- Make sure you have selected a configurable model. When ordering, remember to specify the option codes and list price adders for each selected option.
- Can't Find Something? Other options and accessories might be available on a custom order basis. Please contact your local Sales Representative or Account Engineer for assistance.

Option Code	Description	Models Used On	Notes	List Price Adder (\$US)	
				Outdoor	Beacon II™ Outdoor
Electrical Options					
DFT.001	Defrost Timers - Air	All - Individually Piped	Medium temperature applications only.	1,080	-
DFT.001P	Defrost Timers - Air	All - Parallel Piped	Medium temperature applications only.	Call Factory	-
FCY.001-1	Fan Cycling - Temperature	260B-500B Individually Piped	Fan closest to the header is not cycled.	3,432	-
FCY.001-1P	Fan Cycling - Temperature	260B-500B Parallel Piped	Fan closest to the header is not cycled.	Call Factory	-
FCY.001-2	Fan Cycling - Temperature	600B-700B Individually Piped	Fan closest to the header is not cycled.	4,087	-
FCY.001-2P	Fan Cycling - Temperature	600B-700B Parallel Piped	Fan closest to the header is not cycled.	Call Factory	-
FCY.001-3	Fan Cycling - Temperature	800B & 110B Individually Piped	Fan closest to the header is not cycled.	4,662	-
FCY.001-3P	Fan Cycling - Temperature	800B & 110B Parallel Piped	Fan closest to the header is not cycled.	Call Factory	-
FCY.002-1	Fan Cycling - Pressure	260B-500B Individually Piped	Fan closest to the header is not cycled.	3,432	Standard
FCY.002-1P	Fan Cycling - Pressure	260B-500B Parallel Piped	Fan closest to the header is not cycled.	Call Factory	-
FCY.002-2	Fan Cycling - Pressure	600B-700B Individually Piped	Fan closest to the header is not cycled.	4,087	Standard
FCY.002-2P	Fan Cycling - Pressure	600B-700B Parallel Piped	Fan closest to the header is not cycled.	Call Factory	-
FCY.002-3	Fan Cycling - Pressure	800B & 110B Individually Piped	Fan closest to the header is not cycled.	4,662	Standard
FCY.002-3P	Fan Cycling - Pressure	800B & 110B Parallel Piped	Fan closest to the header is not cycled.	Call Factory	-
CBK.002-2	Compressor Circuit Breakers	230V - Individually Piped	-	5,070	5,070
CBK.002-2P	Compressor Circuit Breakers	230V - Parallel Piped	-	Call Factory	-
CBK.002-1	Compressor Circuit Breakers	460V - Individually Piped	-	2,357	2,357
CBK.002-1P	Compressor Circuit Breakers	460V - Parallel Piped	-	2,357	-
PLM.00X	Phase Loss Monitors	All - Individually Piped	-	1,109	1,109
PLM.00XP	Phase Loss Monitors	All - Parallel Piped	-	Call Factory	-
TDR.002	Anti-short Cycling Timers	All - Individually Piped	-	1,278	1,278

Regulation Requires Variable Speed Fan Motors!

California Energy Commission Title 24, Section 126

Effective 01/01/2010, refrigerated warehouses with a total cold storage and frozen storage area exceeding 3,000 square feet require:

1. All condenser fans for air-cooled condensers/condensing units shall be continuously variable speed and the condensing temperature or pressure control system shall control the speed of all condenser fans serving a common condenser loop in unison. The minimum condensing temperature set point shall be less than or equal to 70 degrees Fahrenheit or reset in response to ambient dry bulb temperature or refrigeration system load.
2. All single phase condenser/condensing unit fan motors less than 1 horsepower and less than 460 volts shall be either permanent split capacitor or electronically commutated.

26 - 100 HP Dual Compressor

Factory-Installed Options

Need Factory-Installed Options?

- Make sure you have selected a configurable model. When ordering, remember to specify the option codes and list price adders for each selected option.
- Can't Find Something? Other options and accessories might be available on a custom order basis. Please contact your local Sales Representative or Account Engineer for assistance.

Option Code	Description	Models Used On	Notes	List Price Adder (\$US)	
				Outdoor	Beacon II™ Outdoor
TDR.002P	Anti-short Cycling Timers	All - Parallel Piped	-	Call Factory	-
HPS.001	Manual Reset High Pressure Switches	All - Individually Piped	-	610	610
HPS.001P	Manual Reset High Pressure Switches	All - Parallel Piped	-	Call Factory	-
MS.0014S-1	Variable Speed EC Motor with proportional pressure controller	300BM6 Parallel Piped (230V) 260B-400BL6 Parallel Piped (230V)	-	9,378	-
MS.0014S-2	Variable Speed EC Motor with proportional pressure controller	300BM6 Individually Piped (230V) 260B-400BL6 Individually Piped (230V)	-	9,610	9,610
MS.0014L-1	Variable Speed EC Motor with proportional pressure controller	400B-500BM6 Parallel Piped (230V & 460V) 440B-600BL6 Parallel Piped (230V & 460V)	-	34,652	-
MS.0014L-2	Variable Speed EC Motor with proportional pressure controller	400B-500BM6 Individually Piped (230V & 460V) 440B-600BL6 Individually Piped (230V & 460V)	-	36,741	36,741
MS.0016L-1	Variable Speed EC Motor with proportional pressure controller	600B-700BM6 Parallel Piped (230V & 460V) 800BL6 Parallel Piped (230V & 460V)	-	50,932	-
MS.0016L-2	Variable Speed EC Motor with proportional pressure controller	600B-700BM6 Individually Piped (230V & 460V) 800BL6 Individually Piped (230V & 460V)	-	53,021	53,021
MS.0018L-1	Variable Speed EC Motor with proportional pressure controller	800B - 110BM6 Parallel Piped (230V & 460V)	-	67,213	-
MS.0018L-2	Variable Speed EC Motor with proportional pressure controller	800B - 110BM6 Individually Piped (230V & 460V)	-	69,301	69,301
Mechanical Options					
LIQ.003-1	Replaceable core liquid-line filter driers & sight glasses	260B-440B Individually Piped	-	914	914
LIQ.003-1P	Replaceable core liquid-line filter driers & sight glasses	260B-440B Parallel Piped	-	Standard	-
LIQ.003-2	Replaceable core liquid-line filter driers & sight glasses	500B-800B Individually Piped	-	1340	1340
LIQ.003-2P	Replaceable core liquid-line filter driers & sight glasses	500B-800B Parallel Piped	-	Standard	-
LIQ.003-3	Replaceable core liquid-line filter driers & sight glasses	110B Individually Piped	-	1611	1611
LIQ.003-3P	Replaceable core liquid-line filter driers & sight glasses	110B Parallel Piped	-	Standard	-
SUC.003-1	Suction-line filters	260B-440B Individually Piped	-	2,479	2,479
SUC.003-1P	Suction-line filters	260B-440B Parallel Piped	-	Call Factory	-
SUC.003-2	Suction-line filters	500B-800B Individually Piped	-	3,175	3,175
SUC.003-2P	Suction-line filters	500B-800B Parallel Piped	-	Call Factory	-
SUC.003-3	Suction-line filters	110B Individually Piped	-	3,973	3,973
SUC.003-3P	Suction-line filters	110B Parallel Piped	-	Call Factory	-
SUC.005-1	Replaceable core suction-line filters	260B-440B Individually Piped	-	3,246	3,246
SUC.005-1P	Replaceable core suction-line filters	260B-440B Parallel Piped	-	Standard	-
SUC.005-2	Replaceable core suction-line filters	500B-800B Individually Piped	-	3,390	3,390
SUC.005-2P	Replaceable core suction-line filters	500B-800B Parallel Piped	-	Standard	-
SUC.005-3	Replaceable core suction-line filters	110B Individually Piped	-	4,237	4,237

26 - 100 HP Dual Compressor

Factory-Installed Options

Need Factory-Installed Options?

- Make sure you have selected a configurable model. When ordering, remember to specify the option codes and list price adders for each selected option.
- Can't Find Something? Other options and accessories might be available on a custom order basis. Please contact your local Sales Representative or Account Engineer for assistance.

Option Code	Description	Models Used On	Notes	List Price Adder (\$US)	
				Outdoor	Beacon II™ Outdoor
LIQ.002-1	Liquid-line solenoid valves	260B-440B Individually Piped	Not recommended on applications with line runs more than 25 feet.	1,839	-
LIQ.002-1P	Liquid-line solenoid valves	260B-440B Parallel Piped	Not recommended on applications with line runs more than 25 feet.	Call Factory	-
LIQ.002-2	Liquid-line solenoid valves	500B-800B Individually Piped	Not recommended on applications with line runs more than 25 feet.	1,973	-
LIQ.002-2P	Liquid-line solenoid valves	500B-800B Parallel Piped	Not recommended on applications with line runs more than 25 feet.	Call Factory	-
LIQ.002-3	Liquid-line solenoid valves	110B Individually Piped	Not recommended on applications with line runs more than 25 feet.	2,369	-
LIQ.002-3P	Liquid-line solenoid valves	110B Parallel Piped	Not recommended on applications with line runs more than 25 feet.	Call Factory	-
SUC.007-1	Suction accumulators	260B-440B Individually Piped	-	5,299	5,299
SUC.007-1P	Suction accumulators	260B-440B Parallel Piped	-	Standard	-
SUC.007-2	Suction accumulators	500B-800B Individually Piped	-	6,077	6,077
SUC.007-2P	Suction accumulators	500B-800B Parallel Piped	-	Standard	-
SUC.007-3	Suction accumulators	110B Individually Piped	-	7,899	7,899
SUC.007-3P	Suction accumulators	110B Parallel Piped	-	Standard	-
DIS.001-1	Oil separators with discharge line check valves	260B-600B Individually Piped	-	3,175	3,175
DIS.001-1P	Oil separators with discharge line check valves	260B-600B Parallel Piped	-	Standard	-
DIS.001-2	Oil separators with discharge line check valves	660B-800B Individually Piped	-	5,370	5,370
DIS.001-2P	Oil separators with discharge line check valves	660B-800B Parallel Piped	-	Standard	-
DIS.001-3	Oil separators with discharge line check valves	110B Individually Piped	-	6,447	6,447
DIS.001-3P	Oil separators with discharge line check valves	110B Parallel Piped	-	Standard	-
MUF.001	Discharge mufflers	All - Individually Piped	-	901	901
MUF.001P	Discharge mufflers	All - Parallel Piped	-	Call Factory	-
DIS.002-1	Three way heat reclaim valves with check valves installed	260B-400B Individually Piped	-	3,280	-
DIS.002-1P	Three way heat reclaim valves with check valves installed	260B-400B Parallel Piped	-	Call Factory	-
DIS.002-2	Three way heat reclaim valves with check valves installed	440B-800B Individually Piped	-	4,805	-

26 - 100 HP Dual Compressor

Factory-Installed Options

Need Factory-Installed Options?

- Make sure you have selected a configurable model. When ordering, remember to specify the option codes and list price adders for each selected option.
- Can't Find Something? Other options and accessories might be available on a custom order basis. Please contact your local Sales Representative or Account Engineer for assistance.

Option Code	Description	Models Used On	Notes	List Price Adder (\$US)	
				Outdoor	Beacon II™ Outdoor
DIS.002-2P	Three way heat reclaim valves with check valves installed	440B-800B Parallel Piped	-	Call Factory	-
DIS.002-3	Three way heat reclaim valves with check valves installed	110B Individually Piped	-	5,767	-
DIS.002-3P	Three way heat reclaim valves with check valves installed	110B Parallel Piped	-	Call Factory	-
UNL.001	Compressor Unloading - with pressure control for (1) cyl. Bank	All - Individually Piped	-	3,262	-
UNL.001P	Compressor Unloading - with pressure control for (1) cyl. Bank	All - Parallel Piped	-	3,262	-
REC.001-1	Low Ambient kits with heated and insulated receivers and time delay relays	260B-500B Individually Piped	-	5,017	5,017
REC.001-1P	Low Ambient kits with heated and insulated receivers and time delay relays	260B-500B Parallel Piped	-	Call Factory	-
REC.001-2	Low Ambient kits with heated and insulated receivers and time delay relays	600B-110B Individually Piped	-	6,591	6,591
REC.001-2P	Low Ambient kits with heated and insulated receivers and time delay relays	600B-110B Parallel Piped	-	Call Factory	-
Coil Options					
CSG.PRO-1	Polyester coated condenser fin protection	300BM6, 260B-400BL6	-	3,225	3,225
CSG.PRO-2	Polyester coated condenser fin protection	400B-500BM6, 440B-600BL6	-	5,370	5,370
CSG.PRO-3	Polyester coated condenser fin protection	600B-700BM6, 800BL6	-	6,018	6,018
CSG.PRO-4	Polyester coated condenser fin protection	800B-110BM6	-	8,025	8,025
CS.ELEC-1	ElectroFin coil coating	300BM6, 260B-400BL6	-	Call Factory	Call Factory
CS.ELEC-2	ElectroFin coil coating	400B-500BM6, 440B-600BL6	-	Call Factory	Call Factory
CS.ELEC-3	ElectroFin coil coating	600B-700BM6, 800BL6	-	Call Factory	Call Factory
CS.ELEC-4	ElectroFin coil coating	800B-110BM6	-	Call Factory	Call Factory
CSB.CPR-1	Copper condenser fins	300BM6, 260B-400BL6	-	Call Factory	Call Factory
CSB.CPR-2	Copper condenser fins	400B-500BM6, 440B-600BL6	-	Call Factory	Call Factory
CSB.CPR-3	Copper condenser fins	600B-700BM6, 800BL6	-	Call Factory	Call Factory
CSB.CPR-4	Copper condenser fins	800B-110BM6	-	Call Factory	Call Factory
CS.BRZ-1	Bronz-Glow coil coating	300BM6, 260B-400BL6	-	Call Factory	Call Factory
CS.BRZ-2	Bronz-Glow coil coating	400B-500BM6, 440B-600BL6	-	Call Factory	Call Factory
CS.BRZ-3	Bronz-Glow coil coating	600B-700BM6, 800BL6	-	Call Factory	Call Factory
CS.BRZ-4	Bronz-Glow coil coating	800B-110BM6	-	Call Factory	Call Factory

26 - 100 HP Dual Compressor

Factory-Installed Electric Defrost Options

Need an electric defrost kit?

- Make sure you have selected a configurable model. When ordering, remember to specify the option codes and list price adders for each selected option.
- Electric defrost kits and components are available to be factory mounted in the electrical box of indoor or outdoor condensing units used in medium/low temp applications with electric defrost evaporators.

Selecting the proper kit is as easy as ...

- 1** Add up the total fan motor amps and electric heater amps for all evaporators in the refrigeration system.
- 2** For the selected condensing unit, contact your local Sales Representative or Account Engineer to find out the rated defrost power amps for both the fan motor amps and electric heater amps. The condensing unit data plate ratings are based on the actual system match.
- 3** Your local Sales Representative or Account Engineer will help you select the proper electric defrost kit and components.

Definitions

Electric Defrost Timer

Initiates and terminates defrost cycles based on a predetermined time schedule.

Lockout Relay

Prevents the electric defrost heaters from energizing when the compressor is in operation.

Evaporator Hold Out Relay

Allows each evaporator to individually terminate defrost on temperature when multiple evaporators are used in a single system.

Fan Contactor

Carries amperage load for evaporator fan motors.

Heater Contactor

Carries amperage load for evaporator electric defrost heaters.

InterLink™ Smart Defrost Kit™ (SDK)

The InterLink™ SDK is a revolutionary product that is designed to be used on any electric defrost walk-in freezer system with an electro-mechanical defrost timer set for three or more scheduled defrosts per day. The InterLink™ SDK accurately estimates frost accumulation on the evaporator coil and decides if it can skip the preprogrammed defrost period that is set on the defrost timer. This helps eliminate unneeded defrost cycles, saving energy and increasing product integrity

Option Code	Description	Models Used On	Notes	List Price Adder (\$US)
				Outdoor
DFT.016-1	Electric Defrost Kit for system with one evaporator per compressor circuit	300B-400BM6 (230V) Individually Piped 260B-440BL6 (230V) Individually Piped All Models (460V) Individually Piped	Includes (1) electric defrost timer, (1) heater & (1) fan contactors, terminal strip, and fusing. 48 amp maximum heater load per heater contactor.	4,403
DFT.016P	Electric Defrost Kit for system with one evaporator per compressor circuit	300B-400BM6 (230V) Parallel Piped 260B-440BL6 (230V) Parallel Piped All Models (460V) Parallel Piped	Includes (1) electric defrost timer, (1) heater & (1) fan contactors, terminal strip, and fusing. 48 amp maximum heater load per heater contactor.	Call Factory
DFT.016-2	Electric Defrost Kit for system with one evaporator per compressor circuit	440B-110BM6 (230V) 500B-800BL6 (230V)	Includes (1) electric defrost timer, (1) heater & (1) fan contactors, terminal strip, and fusing. 48 amp maximum heater load per heater contactor.	Call Factory
DFT.013-1	Electric Defrost Kit for system with two evaporators per compressor circuit	300B-600BM6 (230V) Individually Piped All L6 Models (230V) Individually Piped All Models (460V) Individually Piped	Includes (1) electric defrost timer, (2) heater & (1) fan contactors, terminal strip, and fusing. 48 amp maximum heater load per heater contactor.	7,511
DFT.013P	Electric Defrost Kit for system with two evaporators per compressor circuit	300B-600BM6 (230V) Parallel Piped All L6 Models (230V) Parallel Piped All Models (460V) Parallel Piped	Includes (1) electric defrost timer, (2) heater & (1) fan contactors, terminal strip, and fusing. 48 amp maximum heater load per heater contactor.	Call Factory
DFT.013-2	Electric Defrost Kit for system with two evaporators per compressor circuit	660B-110BM6 (230V)	Includes (1) electric defrost timer, (2) heater & (1) fan contactors, terminal strip, and fusing. 48 amp maximum heater load per heater contactor.	Call Factory
SDK.001	InterLink™ Smart Defrost Kit™	All - Individually Piped	Can not be used alone. Must also select a electric defrost timer or electric defrost kit.	1,672
SDK.001P	InterLink™ Smart Defrost Kit™	All - Parallel Piped	Can not be used alone. Must also select a electric defrost timer or electric defrost kit.	Call Factory

26 - 100 HP Dual Compressor

Shipped-Loose Accessories

A wide range of shipped-loose accessories are available to order. Can't Find Something? Other options and accessories might be available on a custom order basis. Please contact your local Sales Representative or Account Engineer for assistance.

Crankcase Pressure Regulator (CPR) Valves

A selection program must be used to pick the proper valve. The selection program requires the following inputs: system capacity, suction temperature, and maximum holding temperature. Must have one valve per compressor. Not available for use on Beacon II™ Outdoor units. Should not be used with MOP type expansion valves in unit coolers. Please contact your local Sales Representative or Account Engineer for assistance.

Size	Part Number	List Price (\$US)
7/8"	29346101	385
1 1/8"	29399012	565
1 3/8"	4227W	1,546
1 5/8"	4262Q	2,419
2 1/8"	29399089	2,774
2 5/8"	29314001	6,278

1/2 - 6 HP

Overview



Product Description:

The 1/2 through 6 HP water cooled condensing unit product line features hermetic and scroll® compressors. These condensing units' component selection, location, base and unit dimensions are all optimized for easy field replacement or installation in new applications where space is limited.

The electrical box is designed with extra space for easier servicing. The area is large enough to accommodate circuit breakers, compressor contactors, time clocks and all start components in one enclosure.

Standard features include: compressor isolation valves that enable service technicians to isolate the compressor for service and an oversized receiver which provides total refrigerant pump down. These products are ideal for units requiring long runs.

Certifications



Cabinet & Construction

- Component location and unit size are optimized for easy field replacement and space limited applications

Serviceability

- Large electrical box allows easy service and installation of additional components
- A pump-down switch is provided on all models for easy field servicing
- Color-coded wire harnesses are labeled and coded for easy identification
- Suction line rotolock service valve is provided on the compressor for service
- An additional shut-off valve is mounted in the discharge line of the compressor for quick and easy compressor isolation

Quality

- Sight glass (optional) is easily viewable
- Every unit is subjected to a helium leak test to ensure the unit is leak free
- Shipped with nitrogen holding charge to enable installer to verify unit is leak-free upon arrival
- Every unit is run-tested and cycled on both the high and low pressure controls
- All electrical circuits are also tested for functional integrity

Components

- Features Copeland hermetic and Scroll® compressors
- Compressors are mounted with vibration eliminating rubber grommets
- All units come standard with a water regulating valve for superior head pressure control
- Oversized receiver with liquid shut-off valve is provided for installations with long refrigerant lines

Nomenclature

ZW	N	010	L	6	B
Compressor	Application	Model Size	Operating Range	Refrigerant	Voltage
HW = Hermetic ZW = Scroll®	N = Indoor	005-060	H = High L = Low M = Medium X = Extended Temp.	2 = R-22 6 = R-404A/507	B = 208/230/1/60 C = 208-230/3/60 D = 460/3/60

1/2 - 6 HP

Configurable Models Pricing

Standard Features

- Compressor mounting (rubber grommets)
- Compressor discharge service valve (in line brass base valve)
- Compressor suction service valve — rotolock
- Large capacity refrigerant receiver (up to 100 ft. runs)
- Receiver service valve (located on outlet)
- Coaxial condenser (counterflow tube in tube)
- Extra large electric box (encloses all options and start components)
- Electric conduit (UL recognized, high impact, flame retardant copolymer)
- Low pressure control switch (adjustable)
- High pressure encapsulated safety switch (fixed)
- Superhose on low pressure control (higher leak resistance)
- Liquid injection (Scroll® — low temperature models only)
- Pump-down control switch (pre-wired)
- Water valve (mounted on condenser inlet)
- Agency approvals UL, ULC

Need to customize? Look at the factory-installed options starting on page 141.

Chandler Model	List Price (\$US)	Voltage	Notes
Hermetic High Temperature (R-404A/507)			
HWN005H6B	3,688	208-230/1/60	See footnote 1
HWN009H6B	3,895	208-230/1/60	See footnote 1
HWN010H6B	4,237	208-230/1/60	See footnote 1
HWN010H6C	4,392	208-230/3/60	See footnote 1
HWN015H6B	4,430	208-230/1/60	-
HWN015H6C	4,664	208-230/3/60	-
HWN025H6B	5,315	208-230/1/60	-
HWN025H6C	5,726	208-230/3/60	-
HWN032H6B	6,630	208-230/1/60	-
HWN032H6C	6,893	208-230/3/60	-
HWN040H6K	8,916	230/3/60	-
HWN050H6K	9,773	230/3/60	-
Hermetic Extended Temperature (R-404A/507)			
HWN005X6B	3,688	208-230/1/60	See footnote 1
HWN008X6B	3,772	208-230/1/60	See footnote 1
HWN009X6B	3,895	208-230/1/60	See footnote 1
HWN010X6B	4,237	208-230/1/60	See footnote 1
HWN010X6C	4,392	208-230/3/60	See footnote 1
Hermetic Extended/Medium Temperature (R-404A/507/22)			
HWN015X6B	4,430	208-230/1/60	-
HWN015X6C	4,664	208-230/3/60	-
HWN020X6B	4,928	208-230/1/60	-
HWN020X6C	5,385	208-230/3/60	-
HWN025X6B	5,315	208-230/1/60	-
HWN025X6C	5,726	208-230/3/60	-
HWN025X6D	6,104	460/3/60	-
HWN030X6B	6,308	208-230/1/60	-
HWN030X6C	6,548	208-230/3/60	-
HWN030X6D	6,823	460/3/60	-
HWN032X6B	6,630	208-230/1/60	-
HWN032X6C	6,893	208-230/3/60	-
HWN032X6D	7,133	460/3/60	-
HWN040X6B	8,711	208-230/1/60	-

Chandler Model	List Price (\$US)	Voltage	Notes
HWN040X6C	8,916	208-230/3/60	-
HWN040X6D	9,188	460/3/60	-
HWN050X6B	9,636	208-230/1/60	-
HWN050X6C	9,773	208-230/3/60	-
HWN050X6D	10,001	460/3/60	-
Hermetic Low Temperature (R-404A/507)			
HWN011L6B	4,402	208-230/1/60	-
HWN011L6C	4,488	208-230/3/60	-
HWN014L6B	4,456	208-230/1/60	-
HWN014L6C	4,584	208-230/3/60	-
HWN025L6B	4,641	208-230/1/60	-
HWN025L6C	4,769	208-230/3/60	-
HWN031L6B	6,689	208-230/1/60	-
HWN031L6C	6,860	208-230/3/60	-
HWN031L6D	6,978	460/3/60	-
Hermetic High Temperature (R-22)			
HWN005H2B	3,640	208-230/1/60	-
HWN010H2B	4,203	208-230/1/60	-
Scroll Extended Temperature (R-404A/507)			
ZWN030X6B	8,609	208-230/1/60	-
ZWN030X6C	8,724	208-230/3/60	-
ZWN030X6D	9,124	460/3/60	-
ZWN035X6B	9,172	208-230/1/60	-
ZWN035X6C	9,294	208-230/3/60	-
ZWN035X6D	9,579	460/3/60	-
ZWN045X6B	9,529	208-230/1/60	-
ZWN045X6C	9,666	208-230/3/60	-
ZWN045X6D	9,941	460/3/60	-
ZWN055X6B	9,806	208-230/1/60	-
ZWN055X6C	9,946	208-230/3/60	-
ZWN055X6D	10,389	460/3/60	-
ZWN060X6C	11,583	208-230/3/60	-
ZWN060X6D	11,774	460/3/60	-

Notes:

1. Not Suitable for R-507
2. Scroll "L6" models must have a liquid line option specified.

1/2 - 6 HP

Configurable Models Pricing

Chandler Model	List Price (\$US)	Voltage	Notes
Scroll Low Temperature (R-404A/507)			
ZWN030L6B	9,063	208-230/1/60	See footnote 2
ZWN030L6C	9,202	208-230/3/60	See footnote 2
ZWN030L6D	10,353	460/3/60	See footnote 2
ZWN035L6B	9,543	208-230/1/60	See footnote 2
ZWN035L6C	9,685	208-230/3/60	See footnote 2
ZWN035L6D	9,920	460/3/60	See footnote 2
ZWN045L6B	9,970	208-230/1/60	See footnote 2
ZWN045L6C	10,103	208-230/3/60	See footnote 2
ZWN045L6D	10,340	460/3/60	See footnote 2
ZWN055L6B	10,368	208-230/1/60	See footnote 2
ZWN055L6C	10,496	208-230/3/60	See footnote 2
ZWN055L6D	10,743	460/3/60	See footnote 2
ZWN060L6C	11,844	208-230/3/60	See footnote 2
ZWN060L6D	12,493	460/3/60	See footnote 2
Hermetic Medium (R-22)			
HWN015X6B	4,430	208-230/1/60	-
HWN015X6C	4,664	208-230/3/60	-
HWN020X6B	4,928	208-230/1/60	-
HWN020X6C	5,385	208-230/3/60	-
HWN025X6B	5,315	208-230/1/60	-
HWN025X6C	5,726	208-230/3/60	-
HWN025X6D	6,104	460/3/60	-
HWN030X6B	6,308	208-230/1/60	-
HWN030X6C	6,548	208-230/3/60	-
HWN030X6D	6,823	460/3/60	-
HWN032X6B	6,630	208-230/1/60	-
HWN032X6C	6,893	208-230/3/60	-
HWN032X6D	7,133	460/3/60	-
HWN040X6B	8,711	208-230/1/60	-
HWN040X6C	8,916	208-230/3/60	-
HWN040X6D	9,188	460/3/60	-
HWN050X6B	9,636	208-230/1/60	-
HWN050X6C	9,773	208-230/3/60	-
HWN050X6D	10,001	460/3/60	-

Notes:

1. Not Suitable for R-507
2. Scroll "L6" models must have a liquid line option specified.

1/2 - 6 HP

Factory-Installed Options

Need Factory-Installed Options?

- Make sure you have selected a configurable model. When ordering, remember to specify the option codes and list price adders for each selected option.
- Can't Find Something? Other options and accessories might be available on a custom order basis. Please contact your local Sales Representative or Account Engineer for assistance.

Option Code	Description	Models Used On	Notes	List Price Adder (\$US)
Electrical Options				
DFT.001	Defrost Timer - Air	All H2, X6	Medium temperature applications only.	540
Mechanical Options				
LIQ.001-1	Liquid-line Drier & Sight Glass	005-025	-	508
LIQ.001-2	Liquid-line Drier & Sight Glass	030-060	-	588
LIQ.002-1	Liquid-line Drier, Sight Glass & Solenoid Valve	005-025	-	1,082
LIQ.002-2	Liquid-line Drier, Sight Glass & Solenoid Valve	030-060	-	1,163
SUC.003-1	Suction-line filter	005-025	-	323
SUC.003-2	Suction-line filter	030-060	-	384
SUC.007-1	Suction accumulator	005-025	-	406
SUC.007-2	Suction accumulator	027-060	-	676
SUC.004-1	Suction-line filter & accumulator	005-025	-	729
SUC.004-2	Suction-line filter & accumulator	030-060	-	1,060

1/2 - 6 HP

Factory-Installed Electric Defrost Options

Need an electric defrost timer or kit?

- Make sure you have selected a configurable model. When ordering, remember to specify the option codes and list price adders for each selected option.
- Electric defrost kits and components are available to be factory mounted in the electrical box of indoor or outdoor condensing units used in medium/low temp applications with electric defrost evaporators.

Selecting the proper kit is as easy as ...

- 1 Add up the total fan motor amps and electric heater amps for all evaporators in the refrigeration system.
- 2 For the selected condensing unit, find the rated defrost power amps for both the fan motor amps and electric heater amps.
- 3 If the evaporator total fan motor amps and electric defrost heater amps calculated in Step 1 are less than the condensing unit's rated defrost power amps found in Step 2 then proceed below to select the appropriate kit/components and list price adders. If not then contact your local Sales Representative or Account Engineer for assistance.

Definitions

Electric Defrost Timer

Initiates and terminates defrost cycles based on a predetermined time schedule.

Lockout Relay

Prevents the electric defrost heaters from energizing when the compressor is in operation. Not available on electric defrost timer only options.

Fan Contactor

Carries amperage load for evaporator fan motors.

Heater Contactor

Carries amperage load for evaporator electric defrost heaters.

InterLink™ Smart Defrost Kit™ (SDK)

The InterLink™ SDK is a revolutionary product that is designed to be used on any electric defrost walk-in freezer system with an electro-mechanical defrost timer set for three or more scheduled defrosts per day. The InterLink™ SDK accurately estimates frost accumulation on the evaporator coil and decides if it can skip the preprogrammed defrost period that is set on the defrost timer. This helps eliminate unneeded defrost cycles, saving energy and increasing product integrity

Option Code	Description	Models Used On	Notes	List Price Adder (\$US)
DFT.002	Defrost Timer - Electric	005-060 L6, H2, X6 (208-230V)	-	540
DFT.007	Electric Defrost Kit	HWN: 040-050 H2, X6 (208-230V) ZWN: 030-060 X6, L6 (208-230V) All: 015-060 H2, X6, L6 (460V)	Includes (1) electric defrost timer, (1) heater & (1) fan contactors, and (1) lockout relay.	769
SDK.001	InterLink™ Smart Defrost Kit™	005-060 and L6, H2, X6	Can not be used alone. Must also select a electric defrost timer or electric defrost kit.	836

1/2 - 6 HP

Shipped-Loose Accessories

A wide range of shipped-loose accessories are available to order. Can't Find Something? Other options and accessories might be available on a custom order basis. Please contact your local Sales Representative or Account Engineer for assistance.

Crankcase Pressure Regulator (CPR) Valves

A selection program must be used to pick the proper valve. The selection program requires the following inputs: system capacity, suction temperature, and maximum holding temperature. Not available for use on Beacon II™ Outdoor units. Should not be used with MOP type expansion valves in unit coolers. Please contact your local Sales Representative or Account Engineer for assistance.

Size	Part Number	List Price (\$US)
5/8"	2930142	280
7/8"	29346101	385
1 1/8"	29399012	565
1 3/8"	4227W	1,546

3/4 - 22 HP

Overview



Product Description:

The 3/4 through 22 HP water-cooled condensing unit product line features semi-hermetic compressors. These condensing units are "vessel-mounted" indoor water-cooled condensing units complete with a shell and tube condenser.

The cleanable condenser is perfect for applications where air-cooled condensers would not be practical and/or areas where water is readily available.

These units provide an economical, compact alternative to traditional air-cooled condensing units.

Certifications:



Cabinet & Construction

- Component location and unit size are optimized for easy field replacement and space limited applications

Serviceability

- Spacious, pre-painted electrical box
- Pump-down switch
- Easy access refrigerant piping
- Captive door fasteners
- Single electrical connection location
- Removable electrical box provides convenient front access to the oil pump and compressor

Quality

- Pre-bent tubing reduces the possibility of leaks
- Shipped with a dry nitrogen holding charge
- Heavy duty metal base plate
- Non-metallic conduit on all wiring runs

Components

- Semi-hermetic reciprocating compressors
- Rigid mounted compressors on models 0075-0400 and spring mounted compressors with suction and discharge vibration eliminators on models 0499 and above
- Fixed low pressure switch (adjustable on low temperature models)
- Fixed high pressure switch
- Sealed liquid line filter drier and sight glass

Nomenclature

S	W	N	0075	L	6	B
Compressor	Model	Application	Model Size	Operating Range	Refrigerant	Electrical Code
S = Semi-Hermetic Reciprocating	W = Water Cooled	N = Indoor	0075-2200	H = High L = Low M = Medium E = Extra Low	2 = R-22 6 = R-404A/507	B = 208/230/1/60 C = 208-230/3/60 D = 460/3/60

¾ - 22 HP

Configurable Models Pricing

Standard Features

- Solid mounted semi-hermetic Reed and Discus® compressors up to and including 0400
- Spring mounted compressor 0499 and above
- Oil pressure switch (where required)
- High-low pressure controls
- Compressor contactor
- Shell and tube water-cooled condenser with pressure relief
- Liquid-line filter drier and sight glass
- Pump-down switch

Need to customize? Look at the factory-installed options starting on page 146.

Chandler Model	List Price (\$US)	Voltage	Notes
Semi-Hermetic Medium Temperature (R-404A/507)			
SWN0090M6B	9,069	208-230/1/60	-
SWN0090M6C	9,191	208-230/3/60	-
SWN0199M6B	10,635	208-230/1/60	-
SWN0199M6C	10,702	208-230/3/60	-
SWN0200M6C	11,867	208-230/3/60	-
SWN0310M6C	13,910	208-230/3/60	-
SWN0310M6D	15,274	460/3/60	-
SWN0500M6C	16,347	208-230/3/60	-
SWN0500M6D	17,827	460/3/60	-
Semi-Hermetic Low Temperature (R-404A/507)			
SWN0150L6B	9,868	208-230/1/60	-
SWN0150L6C	9,916	208-230/3/60	-
SWN0150L6D	11,398	460/3/60	-
SWN0200L6C	11,981	208-230/3/60	-
SWN0210L6B	12,164	208-230/1/60	-
SWN0210L6C	11,981	208-230/3/60	-
SWN0210L6D	13,513	460/3/60	-
SWN0310E6C	13,581	208-230/3/60	-
SWN0310E6D	15,110	460/3/60	-
SWN0310L6C	13,581	208-230/3/60	-
SWN0310L6D	15,110	460/3/60	-
SWN0311L6C	16,315	208-230/3/60	-
SWN0311L6D	17,843	460/3/60	-
SWN0400L6C	17,494	208-230/3/60	-
SWN0400L6D	19,056	460/3/60	-
SWN0599L6C	18,013	208-230/3/60	-
SWN0599L6D	19,542	460/3/60	-
SWN0600L6C	19,207	208-230/3/60	-
SWN0600L6D	20,736	460/3/60	-
SWN0601L6C	20,401	208-230/3/60	-
SWN0601L6D	21,933	460/3/60	-
SWN0750L6C	22,046	208-230/3/60	-
SWN0750L6D	23,926	460/3/60	-
SWN0900L6C	24,506	208-230/3/60	-
SWN0900L6D	26,388	460/3/60	-
SWN1000L6C	26,907	208-230/3/60	-
SWN1000L6D	27,768	460/3/60	-
SWN1500L6C	32,572	208-230/3/60	-
SWN1500L6D	33,402	460/3/60	-
SWN2200L6C	38,134	208-230/3/60	-
SWN2200L6D	38,960	460/3/60	-

Chandler Model	List Price (\$US)	Voltage	Notes
Semi-Hermetic Medium & High Temperature (R-22)			
SWN0075H2B	8,953	208-230/1/60	-
SWN0075H2C	8,882	208-230/3/60	-
SWN0090H2B	9,336	208-230/1/60	-
SWN0090H2C	9,224	208-230/3/60	-
SWN0100H2B	9,336	208-230/1/60	-
SWN0100H2C	9,224	208-230/3/60	-
SWN0100H2D	10,863	460/3/60	-
SWN0150H2B	9,953	208-230/1/60	-
SWN0150H2C	10,005	208-230/3/60	-
SWN0150H2D	11,647	460/3/60	-
SWN0200H2C	11,974	208-230/3/60	-
SWN0200H2D	13,666	460/3/60	-
SWN0300H2C	14,179	208-230/3/60	-
SWN0300H2D	15,876	460/3/60	-
SWN0499H2C	18,798	208-230/3/60	-
SWN0499H2D	20,494	460/3/60	-
SWN0500H2C	19,581	208-230/3/60	-
SWN0500H2D	21,274	460/3/60	-
SWN0750H2C	22,600	208-230/3/60	-
SWN0750H2D	24,684	460/3/60	-
SWN0760H2C	22,600	208-230/3/60	-
SWN0760H2D	24,684	460/3/60	-
SWN0761H2C	24,384	208-230/3/60	-
SWN0761H2D	26,465	460/3/60	-
SWN1000H2C	28,458	208-230/3/60	-
SWN1000H2D	29,373	460/3/60	-
SWN1500H2C	31,928	208-230/3/60	-
SWN1500H2D	32,837	460/3/60	-
SWN2000H2C	36,632	208-230/3/60	-
SWN2000H2D	37,550	460/3/60	-
SWN0075M2B	8,953	208-230/1/60	-
SWN0075M2C	8,882	208-230/3/60	-
SWN0200M2C	11,974	208-230/3/60	-
SWN0200M2D	13,666	460/3/60	-

¾ - 22 HP

Factory-Installed Options

Need Factory-Installed Options?

- Make sure you have selected a configurable model. When ordering, remember to specify the option codes and list price adders for each selected option.
- Can't Find Something? Other options and accessories might be available on a custom order basis. Please contact your local Sales Representative or Account Engineer for assistance.

Option Code	Description	Models Used On	Notes	List Price Adder (\$US)
Electrical Options				
DFT.001	Defrost Timer - Air	All H2, M2, M6	Medium temperature applications only.	540
CBK.001-1	Circuit Breakers (Compressor & Control Circuit)	0075-0311 (208-230/1/60 or 230V/1/60)	-	471
CBK.001-2	Circuit Breakers (Compressor & Control Circuit)	0075-2000 (230V/3/60)	-	556
CBK.001-3	Circuit Breakers (Compressor & Control Circuit)	0100-2200 (460V/3/60)	-	1,332
CBK.001-4	Circuit Breakers (Compressor & Control Circuit)	2200L6C	-	2,102
CCH.001	Crankcase Heater	All	-	306
SW.002	Dual pressure control with adjustable high & low pressure settings	All	-	149
Mechanical Options				
LIQ.003	Replaceable core liquid-line filter drier & sight glass	0300-2200	-	828
LIQ.002-1	Liquid-line solenoid valve	0075-0400	Not recommended on applications with line runs more than 25 feet.	600
LIQ.002-2	Liquid-line solenoid valve	0499-0900	Not recommended on applications with line runs more than 25 feet.	672
LIQ.002-3	Liquid-line solenoid valve	1000-2200	Not recommended on applications with line runs more than 25 feet.	920
CMT.002	Spring Mounted Compressor	0075-0400	Includes discharge and suction vibration eliminators. Standard on 0499 and above	408
SUC.003-1	Suction-line filter	0075-0210	-	339
SUC.003-2	Suction-line filter	0300-0400	-	777
SUC.005	Replaceable core suction-line filter	0300-0400	-	1,221
SUC.007-1	Suction accumulator	0075-0210	-	505
SUC.007-2	Suction accumulator	0300-0400	-	786
SUC.010	Suction-line filter	0499-2200	-	1,199
SUC.012	Replaceable core suction-line filter	0500-2200	-	1,221
SUC.014-1	Suction accumulator	0499-1000	-	1,257
SUC.014-2	Suction accumulator	1500H2-2000H2 & 1500L6-2200L6	-	2,296
DIS.001	Oil separator with discharge line check valve	0300-0400	-	1,272
DIS.009-1	Oil separator with discharge line check valve	0499-0500	-	1,272
DIS.009-2	Oil separator with discharge line check valve	0599-1000	-	1,343
DIS.009-3	Oil separator with discharge line check valve	1500-2200	-	1,589

¾ - 22 HP

Factory-Installed Electric Defrost Options

Need an electric defrost timer or kit?

- Make sure you have selected a configurable model. When ordering, remember to specify the option codes and list price adders for each selected option.
- Electric defrost kits and components are available to be factory mounted in the electrical box of indoor or outdoor condensing units used in medium/low temp applications with electric defrost evaporators.

Selecting the proper kit is as easy as ...

1

Add up the total fan motor amps and electric heater amps for all evaporators in the refrigeration system.

2

For the selected condensing unit, find the rated defrost power amps for both the fan motor amps and electric heater amps.

3

If the evaporator total fan motor amps and electric defrost heater amps calculated in Step 1 are less than the condensing unit's rated defrost power amps found in Step 2 then proceed below to select the appropriate kit/components and list price adders. If not then contact your local Sales Representative or Account Engineer for assistance.

Definitions

Electric Defrost Timer

Initiates and terminates defrost cycles based on a predetermined time schedule.

Lockout Relay

Prevents the electric defrost heaters from energizing when the compressor is in operation. Not available on electric defrost timer only options.

Fan Contactor

Carries amperage load for evaporator fan motors.

Heater Contactor

Carries amperage load for evaporator electric defrost heaters.

InterLink™ Smart Defrost Kit™ (SDK)

The InterLink™ SDK is a revolutionary product that is designed to be used on any electric defrost walk-in freezer system with an electro-mechanical defrost timer set for three or more scheduled defrosts per day. The InterLink™ SDK accurately estimates frost accumulation on the evaporator coil and decides if it can skip the preprogrammed defrost period that is set on the defrost timer. This helps eliminate unneeded defrost cycles, saving energy and increasing product integrity

Option Code	Description	Models Used On	Notes	List Price Adder (\$US)
DFT.028-1	Electric Defrost Kit (Low Amps)	0075-1000, 1500-2200 (460V)	Includes (1) electric defrost timer, (1 or 2) heater & (1) fan contactors, terminal strip	949
DFT.028-2	Electric Defrost Kit (Low Amps)	1500-2200 (230V)	Includes (1) electric defrost timer, (1 or 2) heater & (1) fan contactors, terminal strip	1,394
DFT.029-1	Electric Defrost Kit (High Amps)	0150H2B, 0199M6B, 0300-0601, 0750-1000 (460V)	Includes (1) electric defrost timer, (1 or 2) heater & (1) fan contactors, terminal strip	949
DFT.029-2	Electric Defrost Kit (High Amps)	0750-1000 (230V), 1500-2200	Includes (1) electric defrost timer, (1 or 2) heater & (1) fan contactors, terminal strip	1,394
DEF.067-1	Fuses for electric defrost kits (Low Amps)	0075-1000	-	392
DEF.067-2	Fuses for electric defrost kits (Low Amps)	1500-2200	-	556
DEF.068-1	Fuses for electric defrost kits (High Amps)	0150H2B, 0199M6B, 0300-0601	-	392
DEF.068-2	Fuses for electric defrost kits (High Amps)	0750-2200	-	556
SDK.001	InterLink™ Smart Defrost Kit™	All	Can not be used alone. Must also select a electric defrost timer or electric defrost kit.	836

¾ - 22 HP

Shipped-Loose Accessories

A wide range of shipped-loose accessories are available to order. Can't Find Something? Other options and accessories might be available on a custom order basis. Please contact your local Sales Representative or Account Engineer for assistance.

Part Number	Description	Models Used On	Notes	List Price (\$US)
Mechanical Options				
2935028	Water Regulating Valve	0075-0311	-	345
2935031	Water Regulating Valve	0400-0601	-	345
2935041	Water Regulating Valve	0750-0900	-	1,108
2935042	Water Regulating Valve	1000, 1500L6, 2200L6	-	1,108
87409001	Water Regulating Valve	1500H2, 2000H2	-	2,979
50055901	Two Tier Rack (Small)	0075 - 1000	-	3,130
50055902	Two Tier Rack (Large)	1500 - 2200	-	3,130

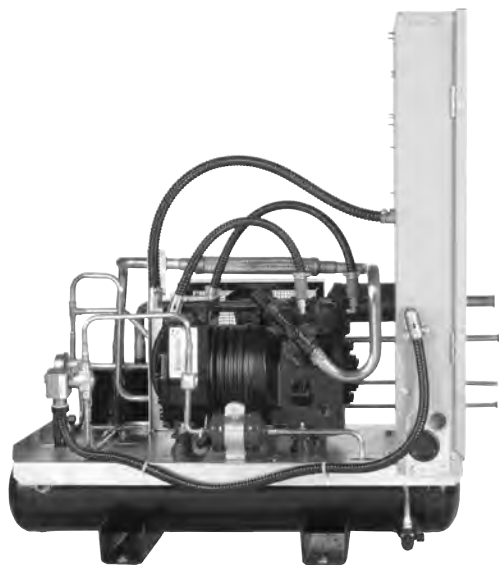
Crankcase Pressure Regulator (CPR) Valves

A selection program must be used to pick the proper valve. The selection program requires the following inputs: system capacity, suction temperature, and maximum holding temperature. Not available for use on Beacon II™ Outdoor units. Should not be used with MOP type expansion valves in unit coolers. Please contact your local Sales Representative or Account Engineer for assistance.

Size	Part Number	List Price (\$US)
5/8"	2930142	280
7/8"	29346101	385
1 1/8"	29399012	565
1 3/8"	4227W	1,546
1 5/8"	4262Q	2,419

3/4 - 22 HP

Overview



Product Description

The indoor SRN and ZRN remote compressor units feature semi-hermetic or Scroll® compressors. These units are specially designed for use in supermarket restaurant, warehouse and other commercial and industrial applications.

The design focuses on easy of installation and maintenance along with the flexibility to fit most application requirements.

Certifications



Cabinet & Construction

- Spacious, pre-painted electrical box
- Fixed low pressure switch (adjustable on low temp models)
- Fixed high pressure switch
- Pump down switch
- 230V control circuit transformer on 460V units
- Standard 16-3/4" tall box - (large 29-1/4" tall box is standard when defrost components are selected)
- Sealed liquid line filter drier and sight glass

Serviceability

- Easy access refrigerant piping
- Captive door fasteners
- Single electrical connection location
- Removable electrical box provides convenient front access to the oil pump and compressor

Quality

- Every unit is subjected to a helium leak test to ensure the unit is leak free
- Shipped with nitrogen holding charge to enable installer to verify unit is leak-free upon arrival
- All the units are completely leak tested in a helium environment, compressor is bump tested and high and low pressure controls are cycled. Each unit has a copy of the run data shipped inside the electrical panel.

Components

- Pre-bent tubing reduces the possibility of leaks
- Shipped with dry nitrogen charge
- Heavy duty base plate
- Non-metallic conduit on all wiring runs

Nomenclature

S	R	N	020	H	2	C
Compressor	Model	Application	Model Size	Operating Range	Refrigerant ACC-DVT-nom.eps	Electrical Code
S = Semi-Hermetic Reciprocating Z = Remote Scroll®	R = Remote	N = Indoor	020-2200	H = High L = Low M = Medium E = Extra Low X = Extended Temp.	2 = R-22 6 = R-404A/507	B = 208/230/1/60 C = 208-230/3/60 D = 460/3/60

3/4 - 22 HP

Configurable Models Pricing

Standard Features

- Solid mounted semi-hermetic Reed and Discus® compressors up to and including 0400
- Spring mounted compressor 0499 and above
- Oil pressure switch (where required)
- High-low pressure controls
- Compressor contactor
- Liquid receiver with pressure relief
- Liquid-line filter drier and sight glass
- Pump-down switch

Need to customize? Look at the factory-installed options starting on page 152.

Chandler Model	List Price (\$US)	Voltage	Notes
Semi-Hermetic Medium Temperature R-404A/507			
SRN0090M6B	7,712	208-230/1/60	-
SRN0090M6C	7,848	208-230/3/60	-
SRN0199M6B	9,079	208-230/1/60	-
SRN0199M6C	9,032	208-230/3/60	-
SRN0200M6C	10,048	208-230/3/60	-
SRN0310M6C	11,119	208-230/3/60	-
SRN0310M6D	12,482	460/3/60	-
SRN0500M6C	12,983	208-230/3/60	-
SRN0500M6D	14,756	460/3/60	-
Semi-Hermetic Low Temperature R-404A/507			
SRN0150L6B	8,230	208-230/1/60	-
SRN0150L6C	8,219	208-230/3/60	-
SRN0150L6D	9,750	460/3/60	-
SRN0200L6C	10,161	208-230/3/60	-
SRN0210L6B	10,161	208-230/1/60	-
SRN0210L6C	10,344	208-230/3/60	-
SRN0210L6D	11,694	460/3/60	-
SRN0310E6C	11,203	208-230/3/60	-
SRN0310E6D	12,732	460/3/60	-
SRN0310L6C	11,203	208-230/3/60	-
SRN0310L6D	12,732	460/3/60	-
SRN0311L6C	13,392	208-230/3/60	-
SRN0311L6D	14,922	460/3/60	-
SRN0400L6C	14,676	208-230/3/60	-
SRN0400L6D	16,206	460/3/60	-
SRN0599L6C	15,265	208-230/3/60	-
SRN0599L6D	16,795	460/3/60	-
SRN0600L6C	15,373	208-230/3/60	-
SRN0600L6D	16,901	460/3/60	-
SRN0601L6C	16,113	208-230/3/60	-
SRN0601L6D	17,643	460/3/60	-
SRN0750L6C	18,828	208-230/3/60	-
SRN0750L6D	20,712	460/3/60	-
SRN0900L6C	19,892	208-230/3/60	-
SRN0900L6D	21,771	460/3/60	-
SRN1000L6C	21,999	208-230/3/60	-
SRN1000L6D	22,200	460/3/60	-
SRN1500L6C	26,252	208-230/3/60	-
SRN1500L6D	27,082	460/3/60	-
SRN2200L6C	30,148	208-230/3/60	-
SRN2200L6D	30,977	460/3/60	-
Semi-Hermetic High Temperature R-22			
SRN0075H2B	7,636	208-230/1/60	-
SRN0075H2C	7,554	208-230/3/60	-
SRN0090H2B	7,844	208-230/1/60	-
SRN0090H2C	7,725	208-230/3/60	-

Chandler Model	List Price (\$US)	Voltage	Notes
SRN0100H2B	8,008	208-230/1/60	-
SRN0100H2C	7,888	208-230/3/60	-
SRN0100H2D	9,463	460/3/60	-
SRN0150H2B	8,161	208-230/1/60	-
SRN0150H2C	8,213	208-230/3/60	-
SRN0150H2D	9,858	460/3/60	-
SRN0200H2C	9,959	208-230/3/60	-
SRN0200H2D	11,657	460/3/60	-
SRN0300H2C	10,721	208-230/3/60	-
SRN0300H2D	12,415	460/3/60	-
SRN0499H2C	14,296	208-230/3/60	-
SRN0499H2D	16,317	460/3/60	-
SRN0500H2C	15,624	208-230/3/60	-
SRN0500H2D	17,317	460/3/60	-
SRN0750H2C	16,715	208-230/3/60	-
SRN0750H2D	18,643	460/3/60	-
SRN0760H2C	17,416	208-230/3/60	-
SRN0760H2D	19,498	460/3/60	-
SRN0761H2C	18,979	208-230/3/60	-
SRN0761H2D	21,064	460/3/60	-
SRN1000H2C	20,655	208-230/3/60	-
SRN1000H2D	21,553	460/3/60	-
SRN1500H2C	23,760	208-230/3/60	-
SRN1500H2D	24,674	460/3/60	-
SRN2000H2C	26,261	208-230/3/60	-
SRN2000H2D	27,173	460/3/60	-
Semi-Hermetic Medium Temperature R-22			
SRN0075M2B	7,554	208-230/1/60	-
SRN0075M2C	7,636	208-230/3/60	-
SRN0200M2C	9,959	208-230/3/60	-
SRN0200M2D	11,657	460/3/60	-
Scroll Extended Temperature R-404A/507			
ZRN020X6B	7,071	208-230/1/60	-
ZRN020X6C	7,186	208-230/3/60	-
ZRN020X6D	7,585	460/3/60	-
ZRN025X6B	6,945	208-230/1/60	-
ZRN025X6C	7,062	208-230/3/60	-
ZRN025X6D	7,460	460/3/60	-
ZRN030X6B	7,509	208-230/1/60	-
ZRN030X6C	7,624	208-230/3/60	-
ZRN030X6D	8,024	460/3/60	-
ZRN035X6B	7,384	208-230/1/60	-
ZRN035X6C	7,507	208-230/3/60	-
ZRN035X6D	7,791	460/3/60	-
ZRN045X6B	7,740	208-230/1/60	-
ZRN045X6C	7,877	208-230/3/60	-
ZRN045X6D	8,152	460/3/60	-

Section 2

¾ - 22 HP

Configurable Models Pricing

Chandler Model	List Price (\$US)	Voltage	Notes
ZRN055X6B	7,568	208-230/1/60	-
ZRN055X6C	7,710	208-230/3/60	-
ZRN055X6D	8,151	460/3/60	-
ZRN060X6C	8,612	208-230/3/60	-
ZRN060X6D	8,803	460/3/60	-
Scroll Medium Temperature R-404A/507			
ZRN0650M6C	12,152	208-230/3/60	-
ZRN0650M6D	14,035	460/3/60	-
ZRN0700M6C	13,023	208-230/3/60	-
ZRN0700M6D	14,908	460/3/60	-
ZRN0750M6C	13,403	208-230/3/60	-
ZRN0750M6D	15,288	460/3/60	-
ZRN0860M6C	14,568	208-230/3/60	-
ZRN0860M6D	15,381	460/3/60	-
ZRN1000M6C	17,468	208-230/3/60	-
ZRN1000M6D	18,294	460/3/60	-
ZRN1400M6C	19,710	208-230/3/60	-
ZRN1400M6D	20,536	460/3/60	-
Scroll Low Temperature R-404A/507			
ZRN020L6B	7,724	208-230/1/60	-
ZRN020L6C	7,864	208-230/3/60	-
ZRN020L6D	9,015	460/3/60	-
ZRN025L6B	8,030	208-230/1/60	-
ZRN025L6C	8,170	208-230/3/60	-
ZRN025L6D	9,319	460/3/60	-
ZRN030L6B	8,511	208-230/1/60	-
ZRN030L6C	8,651	208-230/3/60	-
ZRN030L6D	9,801	460/3/60	-
ZRN035L6B	8,817	208-230/1/60	-
ZRN035L6C	8,959	208-230/3/60	-
ZRN035L6D	9,194	460/3/60	-
ZRN045L6B	9,243	208-230/1/60	-
ZRN045L6C	9,377	208-230/3/60	-
ZRN045L6D	9,613	460/3/60	-
ZRN055L6B	9,461	208-230/1/60	-
ZRN055L6C	9,589	208-230/3/60	-
ZRN055L6D	9,835	460/3/60	-
ZRN060L6C	10,744	208-230/3/60	-
ZRN060L6D	11,393	460/3/60	-
ZRN0750L6C	14,652	208-230/3/60	-
ZRN0750L6D	16,180	460/3/60	-
ZRN1000L6C	18,226	208-230/3/60	-
ZRN1000L6D	20,110	460/3/60	-
ZRN1300L6C	19,722	208-230/3/60	-
ZRN1300L6D	21,602	460/3/60	-
ZRN1500L6C	21,462	208-230/3/60	-
ZRN1500L6D	21,661	460/3/60	-

¾ - 22 HP

Factory-Installed Options

Need Factory-Installed Options?

- Make sure you have selected a configurable model. When ordering, remember to specify the option codes and list price adders for each selected option.
- Can't Find Something? Other options and accessories might be available on a custom order basis. Please contact your local Sales Representative or Account Engineer for assistance.

Option Code	Description	Models Used On	Notes	List Price Adder (\$US)
Electrical Options				
DFT.001	Defrost Timer - Air	All H2, M2, M6, X6	Medium temperature applications only.	540
CBK.001-1	Circuit Breakers (Compressor & Control Circuit)	0075-0311 (208-230/1/60 or 230V/1/60)	-	471
CBK.001-2	Circuit Breakers (Compressor & Control Circuit)	0075-2000 (230V/3/60)	-	556
CBK.001-3	Circuit Breakers (Compressor & Control Circuit)	0100-2200 (460V/3/60)	-	1,332
CBK.001-4	Circuit Breakers (Compressor & Control Circuit)	2200L6C	-	2,102
CCH.001	Crankcase Heater	All SRN	-	306
SW.002	Dual pressure control with adjustable high & low pressure settings	0075-2200	-	149
Mechanical Options				
LIQ.001	Liquid-line filter drier & sight glass	020-060 ZRN	Required on all L6 models with scroll compressors.	588
LIQ.002-1	Liquid-line solenoid valve	0075-0400	Not recommended on applications with line runs more than 25 feet.	600
LIQ.002-2	Liquid-line solenoid valve	0499-0900 SRN, 0650-0750M6 ZRN, 0750-1300L6 ZRN	Not recommended on applications with line runs more than 25 feet.	672
LIQ.002-3	Liquid-line solenoid valve	1000-2200 SRN, 0860-1400M6 ZRN, 1500L6 ZRN	Not recommended on applications with line runs more than 25 feet.	920
LIQ.002-4	Liquid-line solenoid valve	020-060 ZRN	Not recommended on applications with line runs more than 25 feet.	1,163
LIQ.003	Replaceable core liquid-line filter drier & sight glass	0300-2200 SRN, 0650-1500 ZRN	-	828
SUC.003-1	Suction-line filter	0075-0210 SRN	-	339
SUC.003-2	Suction-line filter	020-060 ZRN	-	384
SUC.003-3	Suction-line filter	0750-1500L6 ZRN	-	777
SUC.003-4	Suction-line filter	0650-1400M6 ZRN	-	1,199
SUC.005	Replaceable core suction-line filter	0310-0400 SRN, 0650-1500 ZRN	-	1,221
SUC.010	Suction-line filter	0499-2200 SRN	-	1,199
SUC.012	Replaceable core suction-line filter	0300 & 0499-2200 SRN	-	1,221
SUC.007-1	Suction accumulator	0075-0210 SRN	-	505
SUC.007-2	Suction accumulator	020-060 ZRN	-	676
SUC.007-3	Suction accumulator	0300-0400 SRN, 0750L6-1500L6 ZRN	-	786
SUC.007-4	Suction accumulator	0650M6-1400M6 ZRN	-	1,257
SUC.014-1	Suction accumulator	0499-1000 SRN	-	1,257
SUC.014-2	Suction accumulator	1500-2200 SRN	-	2,296
DIS.001-1	Oil separator with discharge line check valve	0300-0400 SRN, 0750L6-1500L6 ZRN	-	1,272
DIS.001-2	Oil separator with discharge line check valve	0650M6-1400M6 ZRN	-	1,343
DIS.004-1	Head pressure control flooding valve, fixed	020-060 ZRN	-	479
DIS.004-2	Head pressure control flooding valve, fixed	0075-0400 SRN, 0650-1500 ZRN	-	490
DIS.009-1	Oil separator with discharge line check valve	0499-0500 SRN	-	1,272
DIS.009-2	Oil separator with discharge line check valve	0599-1000 SRN	-	1,343
DIS.009-3	Oil separator with discharge line check valve	1500-2200 SRN	-	1,589
DIS.010-1	Head pressure control flooding valve, fixed	0499-1000 SRN	-	490
DIS.010-2	Head pressure control flooding valve, fixed	1500-2200 SRN	-	831

¾ - 22 HP

Factory-Installed Electric Defrost Options

Need an electric defrost timer or kit?

- Make sure you have selected a configurable model. When ordering, remember to specify the option codes and list price adders for each selected option.
- Electric defrost kits and components are available to be factory mounted in the electrical box of indoor or outdoor condensing units used in medium/low temp applications with electric defrost evaporators.

Selecting the proper kit is as easy as ...

- 1 Add up the total fan motor amps and electric heater amps for all evaporators in the refrigeration system.
- 2 For the selected condensing unit, find the rated defrost power amps for both the fan motor amps and electric heater amps.
- 3 If the evaporator total fan motor amps and electric defrost heater amps calculated in Step 1 are less than the condensing unit's rated defrost power amps found in Step 2 then proceed below to select the appropriate kit/components and list price adders. If not then contact your local Sales Representative or Account Engineer for assistance.

Definitions

Electric Defrost Timer

Initiates and terminates defrost cycles based on a predetermined time schedule.

Lockout Relay

Prevents the electric defrost heaters from energizing when the compressor is in operation. Not available on electric defrost timer only options.

Fan Contactor

Carries amperage load for evaporator fan motors.

Heater Contactor

Carries amperage load for evaporator electric defrost heaters.

InterLink™ Smart Defrost Kit™ (SDK)

The InterLink™ SDK is a revolutionary product that is designed to be used on any electric defrost walk-in freezer system with an electro-mechanical defrost timer set for three or more scheduled defrosts per day. The InterLink™ SDK accurately estimates frost accumulation on the evaporator coil and decides if it can skip the preprogrammed defrost period that is set on the defrost timer. This helps eliminate unneeded defrost cycles, saving energy and increasing product integrity

Option Code	Description	Models Used On	Notes	List Price Adder (\$US)
DFT.002	Defrost Timer - Electric	ZRN: 020-060X6/L6	-	540
DFT.007	Electric Defrost Kit	ZRN: 020-060X6/L6	Includes (1) electric defrost timer, (1) heater & (1) fan contactors, and (1) lockout relay.	769
DFT.028-1	Electric Defrost Kit (Low Amps)	SRN: 0075-1000 & 1500-2200 (460V); ZRN: 0650-0860 (230V) & 0650-1500 (460V)	Includes (1) electric defrost timer, (1 or 2) heater & (1) fan contactors, terminal strip	949
DFT.028-2	Electric Defrost Kit (Low Amps)	SRN: 1500-2200 (230V); ZRN: 1000-1400M6 (230V)	Includes (1) electric defrost timer, (1 or 2) heater & (1) fan contactors, terminal strip	1,394
DFT.029-1	Electric Defrost Kit (High Amps)	SRN: 0150H2B, 0199M6B, 0300-0601, 0750-1000 (460V); ZRN: 0750L6 (230V), 0650-0860M6/L6 (460V)	Includes (1) electric defrost timer, (1 or 2) heater & (1) fan contactors, terminal strip	949
DFT.029-2	Electric Defrost Kit (High Amps)	SRN: 0750-1000 (230V), 1500-2200; ZRN: M6 (230V), 1000-1500L6 (230V), 1000-1400M6 (460V)	Includes (1) electric defrost timer, (1 or 2) heater & (1) fan contactors, terminal strip	1,394
DEF.067-1	Fuses for electric defrost kits (Low Amps)	SRN: 0075-1000; ZRN: 0560-0860M6, 0750-1500L6	-	392
DEF.067-2	Fuses for electric defrost kits (Low Amps)	SRN: 1500-2200; ZRN: 1000-1400M6	-	556
DEF.068-1	Fuses for electric defrost kits (High Amps)	SRN: 0150H2B, 0199M6B, 0300-0601; ZRN: 0750L6	-	392
DEF.068-2	Fuses for electric defrost kits (High Amps)	SRN: 0750-2200; ZRN: 0650-1400M6, 1000-1500L6	-	556
SDK.001	InterLink™ Smart Defrost Kit™	All	Can not be used alone. Must also select a electric defrost timer or electric defrost kit.	836

¾ - 22 HP

Shipped-Loose Accessories

A wide range of shipped-loose accessories are available to order. Can't Find Something? Other options and accessories might be available on a custom order basis. Please contact your local Sales Representative or Account Engineer for assistance.

Part Number	Description	Models Used On	Notes	List Price (\$US)
Mechanical Options				
50055901	Two Tier Rack (Small)	0075 - 1000, 020 - 060	-	3,130
50055902	Two Tier Rack (Large)	1500 - 2200	-	3,130

Crankcase Pressure Regulator (CPR) Valves

A selection program must be used to pick the proper valve. The selection program requires the following inputs: system capacity, suction temperature, and maximum holding temperature. Not available for use on Beacon II™ Outdoor units. Should not be used with MOP type expansion valves in unit coolers. Please contact your local Sales Representative or Account Engineer for assistance.

Size	Part Number	List Price (\$US)
5/8"	2930142	280
7/8"	29346101	385
1 1/8"	29399012	565
1 3/8"	4227W	1,546
1 5/8"	4262Q	2,419

Top Mount

Overview



Product Description

The PRO³ Top Mount packaged refrigeration system, designed to maximize storage space inside walk-in coolers and freezers, is ideal for small- to medium-sized restaurant and convenience store applications where holding temperature is the primary goal. The system combines evaporator and condensing unit into one unit expediting installation time and reducing refrigerant charge — saving time, money, and energy. The reduced refrigerant charge, compared to comparable split systems, and availability of EC motors, for increased energy efficiency, makes this product line qualified to be included in the **E Solutions™** product portfolio.

Certifications



Features and Benefits

Ease of Installation and Service

- Installation takes a fraction of the time required for a split system: no piping or loose components to install, refrigerant is pre-charged at factory and a field superheat adjustment is not required (see installation manual for more information)
- No drain line required on indoor models - come standard with a condensate evaporation pan
- Flexible design allows for multiple installation methods: optimized for indoor use, but outdoor models available with weatherhood installed. Outdoor models also come with: crankcase heater, drain line heater and fan-cycling for head pressure control
- Maximizes storage area in a cooler or freezer: evaporator grill mounts flush on a standard 4" or a recessed 5 1/2" ceiling panel

Ease of Use

- System is factory-assembled, evacuated, charged, run-tested and wired; no additional components or refrigerant charging required; most models come with a 26" power cord ready to plug-in
- Controls preset for typical applications: +38° F for high temp. coolers, +35° F for medium temp. coolers, -10° F for freezers and are easy to adjust

Reliable & Durable

- Electronic control provides accurate temperature control
- Liquid-line filter drier (medium and large cabinet only)
- Two-year parts warranty

Energy Efficient & Environmentally Friendly

- Optional EC motors available for evaporator section only
- Reduced refrigerant charge: system uses approximately 10 percent* of refrigerant required for a comparable split system

* Results may vary. Estimate based on a typical 25-foot refrigerant line length.

Nomenclature

P	T	N	072	H	6	B	H
Product Line	Design Orientation	Application	Model Size	Nominal Capacity	Refrigerant	Voltage	Motor
P = PRO3 Packaged Refrigeration System	T = Top Mount	N = Indoor T = Outdoor	# x 100 = BTUH	H = High/ Medium L = Low M = Medium	6 = R-404A	A = 115/1/60 B = 208-230/1/60 C = 208-230/3/60	H = PC E = EC (evap. only)

Top Mount

Standard Models Pricing

Chandler Standard Model	List Price (\$US)	Application Location	Voltage	Evap Fan Motor Type	Plug Supplied	Matching NEMA Receptacle	Cabinet Size
Medium & High Temperature - Air Defrost - Cooler Applications (R-404A)							
PTN026H6AE	5,526	Indoor	115/1/60	EC Motor	Yes	5-20R	Small
PTN026H6AH	5,209	Indoor	115/1/60	PSC Motor	Yes	5-20R	Small
PTN031H6AE	6,073	Indoor	115/1/60	EC Motor	Yes	5-20R	Small
PTN031H6AH	5,686	Indoor	115/1/60	PSC Motor	Yes	5-20R	Small
PTN042H6AE	6,295	Indoor	115/1/60	EC Motor	Yes	5-20R	Small
PTN042H6AH	6,193	Indoor	115/1/60	PSC Motor	Yes	5-20R	Small
PTN050H6AE	8,241	Indoor	115/1/60	EC Motor	Yes	5-20R	Medium
PTN050H6AH	7,885	Indoor	115/1/60	PSC Motor	Yes	5-20R	Medium
PTN050H6BE	8,248	Indoor	208-230/1/60	EC Motor	Yes	6-15R	Medium
PTN050H6BH	8,112	Indoor	208-230/1/60	PSC Motor	Yes	6-15R	Medium
PTN067H6BE	9,428	Indoor	208-230/1/60	EC Motor	Yes	6-15R	Medium
PTN067H6BH	8,369	Indoor	208-230/1/60	PSC Motor	Yes	6-15R	Medium
PTN076H6BE	10,222	Indoor	208-230/1/60	EC Motor	Yes	6-15R	Medium
PTN076H6BH	9,379	Indoor	208-230/1/60	PSC Motor	Yes	6-15R	Medium
PTN104H6BE	11,996	Indoor	208-230/1/60	EC Motor	Yes	6-20R	Large
PTN104H6BH	10,298	Indoor	208-230/1/60	PSC Motor	Yes	6-20R	Large
PTN104H6CE	11,243	Indoor	208-230/3/60	EC Motor	-	-	Large
PTN104H6CH	10,218	Indoor	208-230/3/60	PSC Motor	-	-	Large
PTN133H6BE	13,449	Indoor	208-230/1/60	EC Motor	Yes	6-20R	Large
PTN133H6BH	11,611	Indoor	208-230/1/60	PSC Motor	Yes	6-20R	Large
PTN133H6CE	12,351	Indoor	208-230/3/60	EC Motor	-	-	Large
PTN133H6CH	11,351	Indoor	208-230/3/60	PSC Motor	-	-	Large
PTT050H6BE	9,338	Outdoor	208-230/1/60	EC Motor	-	-	Medium
PTT050H6BH	8,939	Outdoor	208-230/1/60	PSC Motor	-	-	Medium
PTT067H6BE	10,387	Outdoor	208-230/1/60	EC Motor	-	-	Medium
PTT067H6BH	9,565	Outdoor	208-230/1/60	PSC Motor	-	-	Medium
PTT076H6BE	11,133	Outdoor	208-230/1/60	EC Motor	-	-	Medium
PTT076H6BH	10,276	Outdoor	208-230/1/60	PSC Motor	-	-	Medium
PTT104H6BE	12,534	Outdoor	208-230/1/60	EC Motor	-	-	Large
PTT104H6BH	11,362	Outdoor	208-230/1/60	PSC Motor	-	-	Large
PTT104H6CE	12,493	Outdoor	208-230/3/60	EC Motor	-	-	Large
PTT104H6CH	11,348	Outdoor	208-230/3/60	PSC Motor	-	-	Large
PTT133H6BE	13,742	Outdoor	208-230/1/60	EC Motor	-	-	Large
PTT133H6BH	12,672	Outdoor	208-230/1/60	PSC Motor	-	-	Large
PTT133H6CE	13,662	Outdoor	208-230/3/60	EC Motor	-	-	Large
PTT133H6CH	12,459	Outdoor	208-230/3/60	PSC Motor	-	-	Large

Federal Regulation Requires EC Motors!

Energy Independence and Security Act of 2007 (H.R. 6)

Walk-Ins manufactured on or after 01/01/2009 and under 3,000 square feet in area with single phase evaporator fan motors less than 1 HP and less than 460V must be EC motors.

Need help selecting a model?

Please contact your local Sales Representative or Account Engineer for assistance.

Top Mount

Standard Models Pricing

Chandler Standard Model	List Price (\$US)	Application Location	Voltage	Evap Fan Motor Type	Plug Supplied	Matching NEMA Receptacle	Cabinet Size
Medium Temperature - Electric Defrost - Cooler Applications (R-404A)							
PTN024M6AE	5,608	Indoor	115/1/60	EC Motor	Yes	5-20R	Small
PTN024M6AH	5,289	Indoor	115/1/60	PSC Motor	Yes	5-20R	Small
PTN029M6AE	6,157	Indoor	115/1/60	EC Motor	Yes	5-20R	Small
PTN029M6AH	5,767	Indoor	115/1/60	PSC Motor	Yes	5-20R	Small
PTN040M6AE	6,477	Indoor	115/1/60	EC Motor	Yes	5-20R	Small
PTN040M6AH	6,374	Indoor	115/1/60	PSC Motor	Yes	5-20R	Small
PTN047M6AE	8,418	Indoor	115/1/60	EC Motor	Yes	5-20R	Medium
PTN047M6AH	8,061	Indoor	115/1/60	PSC Motor	Yes	5-20R	Medium
PTN047M6BE	8,860	Indoor	208-230/1/60	EC Motor	Yes	6-15R	Medium
PTN047M6BH	8,192	Indoor	208-230/1/60	PSC Motor	Yes	6-15R	Medium
PTN063M6BE	9,563	Indoor	208-230/1/60	EC Motor	Yes	6-15R	Medium
PTN063M6BH	8,405	Indoor	208-230/1/60	PSC Motor	Yes	6-15R	Medium
PTN072M6BE	10,355	Indoor	208-230/1/60	EC Motor	Yes	6-15R	Medium
PTN072M6BH	9,511	Indoor	208-230/1/60	PSC Motor	Yes	6-15R	Medium
PTN099M6BE	12,405	Indoor	208-230/1/60	EC Motor	Yes	6-20R	Large
PTN099M6BH	11,670	Indoor	208-230/1/60	PSC Motor	Yes	6-20R	Large
PTN099M6CE	12,111	Indoor	208-230/3/60	EC Motor	-	-	Large
PTN099M6CH	11,567	Indoor	208-230/3/60	PSC Motor	-	-	Large
PTN128M6BE	13,930	Indoor	208-230/1/60	EC Motor	Yes	6-20R	Large
PTN128M6BH	12,282	Indoor	208-230/1/60	PSC Motor	Yes	6-20R	Large
PTN128M6CE	13,392	Indoor	208-230/3/60	EC Motor	-	-	Large
PTN128M6CH	12,203	Indoor	208-230/3/60	PSC Motor	-	-	Large
PTT047M6BE	9,454	Outdoor	208-230/1/60	EC Motor	-	-	Medium
PTT047M6BH	9,056	Outdoor	208-230/1/60	PSC Motor	-	-	Medium
PTT063M6BE	10,676	Outdoor	208-230/1/60	EC Motor	-	-	Medium
PTT063M6BH	9,687	Outdoor	208-230/1/60	PSC Motor	-	-	Medium
PTT072M6BE	11,237	Outdoor	208-230/1/60	EC Motor	-	-	Medium
PTT072M6BH	10,409	Outdoor	208-230/1/60	PSC Motor	-	-	Medium
PTT099M6BE	12,787	Outdoor	208-230/1/60	EC Motor	-	-	Large
PTT099M6BH	11,600	Outdoor	208-230/1/60	PSC Motor	-	-	Large
PTT099M6CE	12,736	Outdoor	208-230/3/60	EC Motor	-	-	Large
PTT099M6CH	11,594	Outdoor	208-230/3/60	PSC Motor	-	-	Large
PTT128M6BE	14,015	Outdoor	208-230/1/60	EC Motor	-	-	Large
PTT128M6BH	12,951	Outdoor	208-230/1/60	PSC Motor	-	-	Large
PTT128M6CE	13,924	Outdoor	208-230/3/60	EC Motor	-	-	Large
PTT128M6CH	12,722	Outdoor	208-230/3/60	PSC Motor	-	-	Large

Federal Regulation Requires EC Motors!

Energy Independence and Security Act of 2007 (H.R. 6)

Walk-Ins manufactured on or after 01/01/2009 and under 3,000 square feet in area with single phase evaporator fan motors less than 1 HP and less than 460V must be EC motors.

Need help selecting a model?

Please contact your local Sales Representative or Account Engineer for assistance.

Top Mount

Standard Models Pricing

Chandler Standard Model	List Price (\$US)	Application Location	Voltage	Evap Fan Motor Type	Plug Supplied	Matching NEMA Receptacle	Cabinet Size
Low Temperature - Electric Defrost - Freezer Applications (R-404A)							
PTN021L6AE	9,461	Indoor	115/1/60	EC Motor	Yes	5-20R	Medium
PTN021L6AH	9,068	Indoor	115/1/60	PSC Motor	Yes	5-20R	Medium
PTN021L6BE	9,486	Indoor	208-230/1/60	EC Motor	Yes	6-15R	Medium
PTN021L6BH	9,068	Indoor	208-230/1/60	PSC Motor	Yes	6-15R	Medium
PTN031L6BE	10,799	Indoor	208-230/1/60	EC Motor	Yes	6-15R	Medium
PTN031L6BH	9,919	Indoor	208-230/1/60	PSC Motor	Yes	6-15R	Medium
PTN044L6BE	12,304	Indoor	208-230/1/60	EC Motor	Yes	6-20R	Medium
PTN044L6BH	11,318	Indoor	208-230/1/60	PSC Motor	Yes	6-20R	Medium
PTN052L6BE	14,069	Indoor	208-230/1/60	EC Motor	-	-	Large
PTN052L6BH	12,702	Indoor	208-230/1/60	PSC Motor	-	-	Large
PTN052L6CE	14,064	Indoor	208-230/3/60	EC Motor	-	-	Large
PTN052L6CH	12,702	Indoor	208-230/3/60	PSC Motor	-	-	Large
PTN069L6BE	15,023	Indoor	208-230/1/60	EC Motor	-	-	Large
PTN069L6BH	13,583	Indoor	208-230/1/60	PSC Motor	-	-	Large
PTN069L6CE	15,011	Indoor	208-230/3/60	EC Motor	-	-	Large
PTN069L6CH	13,583	Indoor	208-230/3/60	PSC Motor	-	-	Large
PTT021L6BE	10,705	Outdoor	208-230/1/60	EC Motor	-	-	Medium
PTT021L6BH	10,265	Outdoor	208-230/1/60	PSC Motor	-	-	Medium
PTT031L6BE	12,158	Outdoor	208-230/1/60	EC Motor	-	-	Medium
PTT031L6BH	11,247	Outdoor	208-230/1/60	PSC Motor	-	-	Medium
PTT044L6BE	13,861	Outdoor	208-230/1/60	EC Motor	-	-	Medium
PTT044L6BH	12,834	Outdoor	208-230/1/60	PSC Motor	-	-	Medium
PTT052L6BE	15,777	Outdoor	208-230/1/60	EC Motor	-	-	Large
PTT052L6BH	14,362	Outdoor	208-230/1/60	PSC Motor	-	-	Large
PTT052L6CE	15,764	Outdoor	208-230/3/60	EC Motor	-	-	Large
PTT052L6CH	14,362	Outdoor	208-230/3/60	PSC Motor	-	-	Large
PTT069L6BE	16,858	Outdoor	208-230/1/60	EC Motor	-	-	Large
PTT069L6BH	15,373	Outdoor	208-230/1/60	PSC Motor	-	-	Large
PTT069L6CE	16,848	Outdoor	208-230/3/60	EC Motor	-	-	Large
PTT069L6CH	15,373	Outdoor	208-230/3/60	PSC Motor	-	-	Large

Federal Regulation Requires EC Motors!

Energy Independence and Security Act of 2007 (H.R. 6)

Walk-Ins manufactured on or after 01/01/2009 and under 3,000 square feet in area with single phase evaporator fan motors less than 1 HP and less than 460V must be EC motors.

Need help selecting a model?

Please contact your local Sales Representative or Account Engineer for assistance.

Side Mount

Overview



PRO³
Side Mount

Product Description

The PRO³ Side Mount packaged refrigeration system, designed to maximize storage space inside walk-in coolers and freezers and optimized for outdoor applications, is ideal for small- to medium-sized restaurant and convenience store applications where maximum airflow is essential for pulling down the temperature of foods or beverages. The system combines evaporator and condensing unit into one unit expediting installation time and reducing refrigerant charge — saving time, money, and energy. The reduced refrigerant charge, compared to comparable split systems, and availability of EC motors, for increased energy efficiency, makes this product line qualified to be included in the **E Solutions™** product portfolio.

Certifications



Features and Benefits

Ease of Installation and Service

- Installation takes a fraction of the time required for a split system: refrigerant is pre-charged at factory, superheat adjustment is not required and unit slides into slots in standard walk-in panel (see installation manual for more information)
- Designed for simple serviceability: the condensing unit section's cabinet door can be quickly removed; in addition, the electrical box is located outside the cabinet for easy access
- Flexible design allows for multiple installation methods: Optimized for outdoor use, but can be used indoors as well (with drain connection)
- Lifting lugs and hanging brackets in evaporating section allow for easy installation

Ease of Use

- System is factory-assembled, evacuated, charged, run-tested and wired; no additional components required
- Controls preset for typical applications: +38° F for high temp. coolers, +35° F for medium temp. coolers, -10° F for freezers and are easy to adjust

Performance

- Maximized airflow: evaporator placement in walk-in box with pull through fans
- Suitable for temperature pull-down and holding temperature
- Increased condenser capacity, by avoiding compressor heat
- Improved tolerance in high-ambient conditions
- Electric defrost in medium temperature models, allowing for maximum performance in storage applications just above 32°F
- Fan-cycling for head pressure control
- Crankcase heater
- Drain line heater

Reliable & Durable

- Electronic microprocessor control provides accurate temperature control
- Liquid-line filter drier
- Two-year parts warranty

Energy Efficient & Environmentally Friendly

- Optional EC motors available for evaporator section only
- Reduced refrigerant charge: the PRO³ Side Mount packaged refrigeration system uses approximately 10 percent* of refrigerant required for a comparable split system

* Results may vary. Estimate based on a typical 25-foot refrigerant line length.

Nomenclature

P	S	T	070	L	6	B	H
Product Line	Design Orientation	Application	Model Size	Nominal Capacity	Refrigerant	Voltage	Motor
P = PRO3 Packaged Refrigeration System	S = Side Mount	T = Outdoor	# x 100 = BTUH	H = High/Medium L = Low M = Medium w/ electric defrost	6 = R-404A	B = 208-230/1/60	H = PC E = EC (evap. only)

Side Mount

Standard Models Pricing

Chandler Standard Model	List Price (\$US)	Application Location	Voltage	Evap Fan Motor Type	Cabinet Size
Medium & High Temperature - Air Defrost - Cooler Applications (R-404A)					
PST070H6BE	9,651	Outdoor	208-230/1/60	EC Motor	Small
PST070H6BH	9,288	Outdoor	208-230/1/60	PSC Motor	Small
PST090H6BE	10,197	Outdoor	208-230/1/60	EC Motor	Small
PST090H6BH	9,833	Outdoor	208-230/1/60	PSC Motor	Small
PST131H6BE	11,654	Outdoor	208-230/1/60	EC Motor	Large
PST131H6BH	10,926	Outdoor	208-230/1/60	PSC Motor	Large
PST147H6BE	12,747	Outdoor	208-230/1/60	EC Motor	Large
PST147H6BH	12,019	Outdoor	208-230/1/60	PSC Motor	Large
Medium Temperature - Electric Defrost - Cooler Applications (R-404A)					
PST066M6BE	10,088	Outdoor	208-230/1/60	EC Motor	Small
PST066M6BH	9,724	Outdoor	208-230/1/60	PSC Motor	Small
PST086M6BE	10,634	Outdoor	208-230/1/60	EC Motor	Small
PST086M6BH	10,271	Outdoor	208-230/1/60	PSC Motor	Small
PST124M6BE	12,091	Outdoor	208-230/1/60	EC Motor	Large
PST124M6BH	11,363	Outdoor	208-230/1/60	PSC Motor	Large
PST141M6BE	13,184	Outdoor	208-230/1/60	EC Motor	Large
PST141M6BH	12,456	Outdoor	208-230/1/60	PSC Motor	Large
Low Temperature - Electric Defrost - Freezer Applications (R-404A)					
PST034L6BE	11,836	Outdoor	208-230/1/60	EC Motor	Small
PST034L6BH	11,472	Outdoor	208-230/1/60	PSC Motor	Small
PST051L6BE	12,929	Outdoor	208-230/1/60	EC Motor	Small
PST051L6BH	12,565	Outdoor	208-230/1/60	PSC Motor	Small
PST057L6BE	14,386	Outdoor	208-230/1/60	EC Motor	Large
PST057L6BH	13,658	Outdoor	208-230/1/60	PSC Motor	Large
PST077L6BE	15,479	Outdoor	208-230/1/60	EC Motor	Large
PST077L6BH	14,751	Outdoor	208-230/1/60	PSC Motor	Large

Federal Regulation Requires EC Motors!

Energy Independence and Security Act of 2007 (H.R. 6)

Walk-Ins manufactured on or after 01/01/2009 and under 3,000 square feet in area with single phase evaporator fan motors less than 1 HP and less than 460V must be EC motors.

Need help selecting a model?

Please contact your local Sales Representative or Account Engineer for assistance.

1 - 26 Ton

Overview



Product Description

Direct drive air-cooled condensers, available from 1 through 26 ton models, are the industry standard for remote air-cooled applications. They are designed for efficient performance and low maintenance and are great for many applications.

Certifications



Standard Features

Ease of Installation & Service

- Weatherproof junction box with motor leads terminating for single-point field wiring

Reliable & Durable

- Heavy gauge smooth aluminum cabinet for long life and attractive appearance
- Coated steel fan guards
- Internally protected, permanently lubricated ball bearing motors with automatic reset

Performance

- Fully baffled fan sections to provide structural strength and prevent fan windmilling in the off cycle
- PSC motors come standard to help save on energy costs

Versatile

- Horizontal or vertical air discharge
- Multicircuiting at no additional charge

Nomenclature

WSS	024
Product Line	Size
Direct Drive Air-cooled Condenser	Model

1 - 26 Ton

Configurable Models & Options Pricing

Configurable Models, Factory-Installed Options, & List Prices

- Specify model motor voltage and type at time of order. 208-230/1/60 motors may be field converted to 230/3/60 power.
- Variable speed motor is on the header fan only; All other motors in a 1x2 or 1x3 are fixed speed motors that cycle on or off as needed. Must have variable speed controller (customer supplied or select factory-installed option). Ambient fan cycling is included in the factory-installed variable speed controller package.
- Standard Control Circuit Voltage is 230V unless otherwise specified. 24V & 115V are available at no additional cost. Specify control circuit voltage when ordering.
- Fan cycling pricing does not include control circuit transformer for 460V units. If needed, transformer can be ordered from ship-loose accessories.

Chandler Configurable Model	List Price (\$US)	Factory-Installed Option List Price Adders (\$US)									
		Fan Cycling Options				Electrical Options			Coil Coatings		
		1 PH Amb.	3 PH Amb.	1 PH Press.	3 PH Press.	Ind. Motor Fuses	Sealtite Wiring	Var Sp Controller	ElectroFin Coil	Polyester Coated Fins	Bronz-Glow Coating
208-230/1/60 with PSC Motors											
WSS008	2,078	-	-	-	-	-	717	-	Call Factory	196	Call Factory
WSS009	2,543	-	-	-	-	-	717	-	Call Factory	203	Call Factory
WSS010	2,731	-	-	-	-	-	717	-	Call Factory	219	Call Factory
WSS016	3,047	-	-	-	-	-	717	-	Call Factory	269	Call Factory
WSS024	5,556	-	-	-	-	740	717	-	Call Factory	328	Call Factory
WSS040	7,017	-	-	-	-	740	717	-	Call Factory	522	Call Factory
WSS049	8,577	504	-	918	-	967	1,276	-	Call Factory	588	Call Factory
WSS061	9,631	504	-	918	-	967	1,276	-	Call Factory	648	Call Factory
WSS070	11,015	504	-	918	-	967	1,276	-	Call Factory	784	Call Factory
WSS080	12,073	504	-	918	-	967	1,276	-	Call Factory	960	Call Factory
WSS105	13,920	702	-	1,159	-	1,199	1,316	-	Call Factory	1,063	Call Factory
WSS113	14,313	702	-	1,159	-	1,199	1,316	-	Call Factory	1,212	Call Factory
WSS133	15,628	702	-	1,159	-	1,199	1,316	-	Call Factory	1,374	Call Factory
208-230/1/60 with Variable Speed Motor											
WSS024SM	5,985	-	-	-	-	740	717	2,194	Call Factory	328	Call Factory
WSS040SM	7,447	-	-	-	-	740	717	2,194	Call Factory	522	Call Factory
WSS049SM	9,006	-	-	Call Factory	-	967	1,276	2,194	Call Factory	588	Call Factory
WSS061SM	10,061	-	-	Call Factory	-	967	1,276	2,194	Call Factory	648	Call Factory
WSS070SM	11,444	-	-	Call Factory	-	967	1,276	2,194	Call Factory	784	Call Factory
WSS080SM	12,502	-	-	Call Factory	-	967	1,276	2,194	Call Factory	960	Call Factory
WSS105SM	14,350	-	-	Call Factory	-	1,199	1,316	2,194	Call Factory	1,063	Call Factory
WSS113SM	14,743	-	-	Call Factory	-	1,199	1,316	2,194	Call Factory	1,212	Call Factory
WSS133SM	16,058	-	-	Call Factory	-	1,199	1,316	2,194	Call Factory	1,374	Call Factory
208-230/3/60 with Polyphase Motors											
WSS024	5,885	-	-	-	-	740	717	-	Call Factory	-	Call Factory
WSS040	7,273	-	-	-	-	740	717	-	Call Factory	522	Call Factory
WSS049	9,202	-	1,268	-	1,684	967	1,276	-	Call Factory	588	Call Factory
WSS061	10,148	-	1,268	-	1,684	967	1,276	-	Call Factory	648	Call Factory
WSS070	11,531	-	1,268	-	1,684	967	1,276	-	Call Factory	784	Call Factory
WSS080	12,590	-	1,268	-	1,684	967	1,276	-	Call Factory	960	Call Factory

Notes:

1. For selection or sizing assistance, use Heatcraft's New ProSelect software or contact your local your Sales Representative or Account Engineer.
2. Copper Fin Coils are available. Contact your Sales Representative or Account Engineer for more information.

1 - 26 Ton

Configurable Models & Options Pricing

Configurable Models, Factory-Installed Options, & List Prices

- Specify model motor voltage and type at time of order. 208-230/1/60 motors may be field converted to 230/3/60 power.
- Variable speed motor is on the header fan only; All other motors in a 1x2 or 1x3 are fixed speed motors that cycle on or off as needed. Must have variable speed controller (customer supplied or select factory-installed option). Ambient fan cycling is included in the factory-installed variable speed controller package.
- Standard Control Circuit Voltage is 230V unless otherwise specified. 24V & 115V are available at no additional cost. Specify control circuit voltage when ordering.
- Fan cycling pricing does not include control circuit transformer for 460V units. If needed, transformer can be ordered from ship-loose accessories.

Chandler Configurable Model	List Price (\$US)	Factory-Installed Option List Price Adders (\$US)									
		Fan Cycling Options				Electrical Options			Coil Coatings		
		1 PH Amb.	3 PH Amb.	1 PH Press.	3 PH Press.	Ind. Motor Fuses	Sealtite Wiring	Var Sp Controller	ElectroFin Coil	Polyester Coated Fins	Bronz-Glow Coating
WSS105	14,700	-	1,564	-	2,027	1,199	1,316	-	Call Factory	1,063	Call Factory
WSS113	15,090	-	1,564	-	2,027	1,199	1,316	-	Call Factory	1,212	Call Factory
WSS133	16,404	-	1,564	-	2,027	1,199	1,316	-	Call Factory	1,374	Call Factory
208-230/3/60 with Variable Speed Motor											
WSS049SM	9,632	-	-	-	Call Factory	967	1,276	2,194	Call Factory	588	Call Factory
WSS061SM	10,577	-	-	-	Call Factory	967	1,276	2,194	Call Factory	648	Call Factory
WSS070SM	11,960	-	-	-	Call Factory	967	1,276	2,194	Call Factory	784	Call Factory
WSS080SM	13,019	-	-	-	Call Factory	967	1,276	2,194	Call Factory	960	Call Factory
WSS105SM	15,130	-	-	-	Call Factory	1,199	1,316	2,194	Call Factory	1,063	Call Factory
WSS113SM	15,519	-	-	-	Call Factory	1,199	1,316	2,194	Call Factory	1,212	Call Factory
WSS133SM	16,833	-	-	-	Call Factory	1,199	1,316	2,194	Call Factory	1,374	Call Factory
460/3/60 with Polyphase Motors											
WSS024	5,885	-	-	-	-	740	717	-	Call Factory	328	Call Factory
WSS040	7,273	-	-	-	-	740	717	-	Call Factory	522	Call Factory
WSS049	9,202	-	1,268	-	1,684	967	1,276	-	Call Factory	588	Call Factory
WSS061	10,148	-	1,268	-	1,684	967	1,276	-	Call Factory	648	Call Factory
WSS070	11,531	-	1,268	-	1,684	967	1,276	-	Call Factory	784	Call Factory
WSS080	12,590	-	1,268	-	1,684	967	1,276	-	Call Factory	960	Call Factory
WSS105	14,700	-	1,564	-	2,027	1199	1,316	-	Call Factory	1,063	Call Factory
WSS113	15,090	-	1,564	-	2,027	1199	1,316	-	Call Factory	1,212	Call Factory
WSS133	16,404	-	1,564	-	2,027	1199	1,316	-	Call Factory	1,374	Call Factory
460/3/60 with Variable Speed Motor											
WSS049SM	9,632	-	-	-	Call Factory	967	1,276	2,194	Call Factory	588	Call Factory
WSS061SM	10,577	-	-	-	Call Factory	967	1,276	2,194	Call Factory	648	Call Factory
WSS070SM	11,960	-	-	-	Call Factory	967	1,276	2,194	Call Factory	784	Call Factory
WSS080SM	13,019	-	-	-	Call Factory	967	1,276	2,194	Call Factory	960	Call Factory
WSS105SM	15,130	-	-	-	Call Factory	1,199	1,316	2,194	Call Factory	1,063	Call Factory
WSS113SM	15,519	-	-	-	Call Factory	1,199	1,316	2,194	Call Factory	1,212	Call Factory
WSS133SM	16,833	-	-	-	Call Factory	1,199	1,316	2,194	Call Factory	1,374	Call Factory

Notes:

- For selection or sizing assistance, use Heatcraft's New ProSelect software or contact your local your Sales Representative or Account Engineer.
- Copper Fin Coils are available. Contact your Sales Representative or Account Engineer for more information.

1 - 26 Ton**Ship-Loose Accessories****Can't Find An Option or
Accessory?**

Other options and accessories might be available on a custom order basis. Please contact your local Sales Representative or Account Engineer for assistance.

Part Number	Description	Models Used On	List Price (\$US)	Notes
8980700-1	Discharge Air Gravity Damper	1x1	1,200	Includes 1 damper per fan cell
8980700-2	Discharge Air Gravity Dampers	1x2	2,400	Includes 1 damper per fan cell
8980700-3	Discharge Air Gravity Dampers	1x3	3,600	Includes 1 damper per fan cell
R038253919	Control Circuit Transformer	ALL	528	-

11 – 264 Ton

Overview



Product Description

These air-cooled condensers feature improved energy efficiency and low sound levels sought after by the supermarket and grocery industry. Traditional condensers using 1140 RPM motors offer high capacities, but cannot meet the low sound and energy efficiency standards demanded today by this industry. High capacities for operation along with the low sound and energy efficiency requirements are brought together in these units for a great fit for many applications. Choosing a model with the patented QuietEdge™ Fan Blade or Variable Speed EC motors makes this product qualified to be included in the **E Solutions™** product portfolio.

Certifications



Standard Features

- 10 fins per inch spacing standard. 8, 12, and 14 fins per inch spacing available as an option.
- Floating Tube™ coil design virtually eliminates tube sheet leaks
- Internal baffles provided between all fan cells
- Condensers up to 3 fans in length use 3/8" diameter tube to minimize refrigerant charge. Condensers 4 or more fans in length use 1/2" diameter tube to minimize refrigerant pressure drop
- Coated steel fan guards
- Weather resistant control panel with factory-mounted door interrupt disconnect switch
- 2-year warranty on product and 5-year warranty on Floating Tube™

Models with Variable Speed EC Motors (VSEC)

- EC motor, swept fan blade and venturi incorporating integrated variable speed technology
- Broad capacity range from 16 to 264 tons
- Aluminum housing for an attractive appearance and corrosion protection, with painted galvanized steel, or galvanized steel as an option
- Side access panels for ease of cleaning coils
- 3-year warranty on EC motors

Models with 830 or 540 RPM Fixed Speed Motors

- Direct drive fan motors in 830 or 540 RPM
- The patented QuietEdge™ fan blade provides an unprecedented sound level of 49.6 dBA (540 RPM @ 10 ft.)
- Patented ServiceEase™ motor mount feature, allows for ease of motor service and reduces likelihood of damage to the coils during servicing
- Condenser coils incorporate the latest advancements in coil technology to provide maximum capacity
- Broader product range to address all applications — capacities ranging from 11 to 225 nominal tons
- Galvanized steel housing
- High efficiency, three-phase fan motors with ball bearings and internal overload protection

Models with 1140 RPM Fixed Speed Motors

- Direct drive fan motors
- Patented ServiceEase™ motor mount
- New, high efficiency condenser coil designed for optimum performance
- Expanded product range from 15 to 249 nominal tons
- Galvanized steel housing
- High efficiency, three-phase fan motors with ball bearings and internal overload protection

Nomenclature

H	N	H	S	04	A	050
Brand	Vintage	Model	Width	Fans	Model Identifier	Standard Capacity
H = Chandler		H = 1140 RPM, 1.5 HP L = 830 RPM, 1.5 HP X = 830 RPM, 1.0 HP Q = 540 RPM, 0.5 HP E = VSEC Motor	S = Single D = Double	# of fans (01-14)		(MBH/°TD, R-22 @ 10 FPI)

11 – 264 Ton

Configurable Models Pricing

Need to customize?

- Look on page starting 170 for factory-installed fan cycling, electrical, and mechanical options.
- Look on page starting 173 for condenser fin and coil protection options.

Configurable Models, Motor Voltages, & List Prices

Specify model motor voltage at time of order

Chandler Configurable Model	List Price by Motor Voltage (\$US)		Fan Config.	Notes
	208-230/3/60	460/3/60		
Models with VSEC Motors				
HNES01A008	16,787	16,787	1x1	-
HNES01A009	18,587	18,587	1x1	-
HNES02A011	28,738	28,738	1x2	-
HNES02A015	32,947	32,947	1x2	-
HNES02A018	36,030	36,030	1x2	-
HNES03A023	49,465	49,465	1x3	-
HNES03A027	54,102	54,102	1x3	-
HNES04A031	66,802	66,802	1x4	-
HNES04A036	72,131	72,131	1x4	-
HNES05A039	83,325	83,325	1x5	-
HNES05A047	91,670	91,670	1x5	-
HNES06A056	110,004	110,004	1x6	-
HNES07A065	128,117	128,117	1x7	-
HNED04A023	56,636	56,636	2x2	-
HNED04A031	65,960	65,960	2x2	-
HNED04A036	72,131	72,131	2x2	-
HNED06A046	98,918	98,918	2x3	-
HNED06A054	108,190	108,190	2x3	-
HNED08A062	132,264	132,264	2x4	Model has oversized electrical box.
HNED08A073	144,634	144,634	2x4	Model has oversized electrical box.
HNED10A079	166,958	166,958	2x5	Model has oversized electrical box.
HNED10A093	183,683	183,683	2x5	Model has oversized electrical box.
HNED12A112	220,364	220,364	2x6	Model has oversized electrical box.
HNED14A129	256,594	256,594	2x7	Model has oversized electrical box.
Models with 540 RPM (0.5HP) Motors				
HNQS01A005	7,707	7,707	1x1	-
HNQS01A006	9,232	9,232	1x1	-
HNQS02A008	12,753	12,753	1x2	-
HNQS02A010	17,099	17,099	1x2	-
HNQS02A011	19,188	19,188	1x2	-
HNQS03A016	26,693	26,693	1x3	-
HNQS03A017	29,710	29,710	1x3	-
HNQS04A021	36,146	36,146	1x4	-
HNQS04A023	40,171	40,171	1x4	-
HNQS05A026	45,660	45,660	1x5	-
HNQS05A029	50,689	50,689	1x5	-
HNQS06A034	61,229	61,229	1x6	-

Notes:

For sizing and selection assistance, use Heatcraft's new ProSelect software or contact your local Sales Representative or Account Engineer.

11 – 264 Ton

Configurable Models Pricing

Need to customize?

- Look on page starting 170 for factory-installed fan cycling, electrical, and mechanical options.
- Look on page starting 173 for condenser fin and coil protection options.

Configurable Models, Motor Voltages, & List Prices

Specify model motor voltage at time of order

Chandler Configurable Model	List Price by Motor Voltage (\$US)		Fan Config.	Notes
	208-230/3/60	460/3/60		
HNQS07A042	74,450	74,450	1x7	-
HNQD04A016	27,435	27,435	2x2	-
HNQD04A021	36,146	36,146	2x2	-
HNQD04A023	40,171	40,171	2x2	-
HNQD06A031	55,114	55,114	2x3	-
HNQD06A034	61,229	61,229	2x3	-
HNQD08A041	74,495	74,495	2x4	Model has oversized electrical box.
HNQD08A046	82,602	82,602	2x4	Model has oversized electrical box.
HNQD10A052	93,545	93,545	2x5	Model has oversized electrical box.
HNQD10A057	103,661	103,661	2x5	Model has oversized electrical box.
HNQD12A069	124,642	124,642	2x6	Model has oversized electrical box.
HNQD14A083	151,104	151,104	2x7	Model has oversized electrical box.
Models with 830 RPM (1.0HP) Motors				
HNXS01A006	7,747	7,747	1x1	-
HNXS01A008	9,374	9,374	1x1	-
HNXS02A010	12,559	12,559	1x2	-
HNXS02A013	17,193	17,193	1x2	-
HNXS02A015	20,003	20,003	1x2	-
HNXS03A020	26,402	26,402	1x3	-
HNXS03A023	30,637	30,637	1x3	-
HNXS04A026	35,611	35,611	1x4	-
HNXS04A030	41,228	41,228	1x4	-
HNXS05A033	44,791	44,791	1x5	-
HNXS05A038	51,817	51,817	1x5	-
HNXS06A045	62,468	62,468	1x6	-
HNXS07A052	71,720	71,720	1x7	-
HNXD04A020	26,278	26,278	2x2	-
HNXD04A026	35,596	35,596	2x2	-
HNXD04A030	41,244	41,244	2x2	-
HNXD06A039	53,982	53,982	2x3	-
HNXD06A045	62,452	62,452	2x3	-
HNXD08A052	72,698	72,698	2x4	Model has oversized electrical box.
HNXD08A061	83,997	83,997	2x4	Model has oversized electrical box.
HNXD10A066	91,087	91,087	2x5	Model has oversized electrical box.
HNXD10A076	105,207	105,207	2x5	Model has oversized electrical box.
HNXD12A091	126,416	126,416	2x6	Model has oversized electrical box.
HNXD14A104	144,948	144,948	2x7	Model has oversized electrical box.

Notes:

For sizing and selection assistance, use Heatcraft's new ProSelect software or contact your local Sales Representative or Account Engineer.

11 – 264 Ton

Configurable Models Pricing

Need to customize?

- Look on page starting 170 for factory-installed fan cycling, electrical, and mechanical options.
- Look on page starting 173 for condenser fin and coil protection options.

Configurable Models, Motor Voltages, & List Prices

Specify model motor voltage at time of order

Chandler Configurable Model	List Price by Motor Voltage (\$US)		Fan Config.	Notes
	208-230/3/60	460/3/60		
Models with 830 RPM (1.5HP) Motors				
HNLS01A007	8,648	8,648	1x1	-
HNLS01A008	10,226	10,226	1x1	-
HNLS02A010	12,968	12,968	1x2	-
HNLS02A014	17,828	17,828	1x2	-
HNLS02A016	20,671	20,671	1x2	-
HNLS03A021	26,748	26,748	1x3	-
HNLS03A024	31,033	31,033	1x3	-
HNLS04A028	35,611	35,611	1x4	-
HNLS04A032	41,352	41,352	1x4	-
HNLS05A035	45,372	45,372	1x5	-
HNLS05A042	53,213	53,213	1x5	-
HNLS06A050	63,798	63,798	1x6	-
HNLS07A055	70,360	70,360	1x7	-
HNLD04A020	25,907	25,907	2x2	-
HNLD04A028	35,612	35,612	2x2	-
HNLD04A032	41,352	41,352	2x2	-
HNLD06A042	53,435	53,435	2x3	-
HNLD06A048	61,977	61,977	2x3	-
HNLD08A056	71,549	71,549	2x4	Model has oversized electrical box.
HNLD08A065	82,991	82,991	2x4	Model has oversized electrical box.
HNLD10A071	91,014	91,014	2x5	Model has oversized electrical box.
HNLD10A083	106,655	106,655	2x5	Model has oversized electrical box.
HNLD12A100	127,897	127,897	2x6	Model has oversized electrical box.
HNLD14A110	141,007	141,007	2x7	Model has oversized electrical box.
Models with 1140 RPM (1.5HP) Motors				
HNHS01A007	8,820	8,820	1x1	-
HNHS01A009	10,569	10,569	1x1	-
HNHS02A011	12,949	12,949	1x2	-
HNHS02A015	17,034	17,034	1x2	-
HNHS02A017	20,029	20,029	1x2	-
HNHS03A022	25,594	25,594	1x3	-
HNHS03A026	30,096	30,096	1x3	-
HNHS04A029	34,948	34,948	1x4	-
HNHS04A034	40,124	40,124	1x4	-
HNHS05A037	43,518	43,518	1x5	-
HNHS05A044	51,618	51,618	1x5	-

Notes:

For sizing and selection assistance, use Heatcraft's new ProSelect software or contact your local Sales Representative or Account Engineer.

11 – 264 Ton

Configurable Models Pricing

Need to customize?

- Look on page starting 170 for factory-installed fan cycling, electrical, and mechanical options.
- Look on page starting 173 for condenser fin and coil protection options.

Configurable Models, Motor Voltages, & List Prices

Specify model motor voltage at time of order

Chandler Configurable Model	List Price by Motor Voltage (\$US)		Fan Config.	Notes
	208-230/3/60	460/3/60		
HNHS06A053	61,941	61,941	1x6	-
HNHS07A061	72,052	72,052	1x7	-
HNHD04A021	25,082	25,082	2x2	-
HNHD04A029	34,134	34,134	2x2	-
HNHD04A034	40,124	40,124	2x2	-
HNHD06A044	51,180	51,180	2x3	-
HNHD06A051	60,181	60,181	2x3	-
HNHD08A058	68,613	68,613	2x4	Model has oversized electrical box.
HNHD08A068	80,620	80,620	2x4	Model has oversized electrical box.
HNHD10A074	87,345	87,345	2x5	Model has oversized electrical box.
HNHD10A088	103,583	103,583	2x5	Model has oversized electrical box.
HNHD12A106	124,242	124,242	2x6	Model has oversized electrical box.
HNHD14A122	144,461	144,461	2x7	Model has oversized electrical box.

Notes:

For sizing and selection assistance, use Heatcraft's new ProSelect software or contact your local Sales Representative or Account Engineer.

11 – 264 Ton

Options Pricing - VSEC Models

Can't Find An Option?

Other options and accessories might be available on a custom order basis. Please contact your local Sales Representative or Account Engineer for assistance.

Factory-Installed Fan Cycling, Electrical, and Mechanical Options

- Motors are 208-230/3/60 or 460/3/60.
- Power outlet is supplied unwired.
- Fused disconnect option is only available on units with an MOP of 60 or less. Please see accompanying technical specifications.

Option Code	Option Description	List Price Adder by Fan Configuration (US\$)												
		1x1	1x2	1x3	1x4	1x5	1x6	1x7	2x2	2x3	2x4	2x5	2x6	2x7
Fan Cycling Options														
FC.019	Proportional Pressure Control	2,092	2,092	2,092	2,092	2,092	2,092	2,092	2,092	4,182	4,182	4,182	4,182	4,182
Electrical Options														
DISC.002	Fused Disconnect	229	456	688	916	1,145	1,371	1,604	916	1,371	1,834	2,292	2,744	3,204
MP.002	Individual Motor Fuses	229	458	687	916	1,145	1,374	1,603	916	1,374	1,832	2,290	2,748	3,206
MP.004	Paired Motor Fuses	-	-	-	-	-	-	-	458	687	916	1,145	1,374	1,603
MP.003	Individual Circuit Breakers (230V or 460V)	636	912	1,357	1,818	2,264	2,726	3,148	1,818	2,726	3,618	4,528	5,437	6,082
MP.005	Paired Circuit Breakers (230V or 460V)	-	-	-	-w	-	-	-	912	1,357	1,818	2,264	2,726	3,148
MTB.001	Individual Motor Terminal Boards	160	318	477	636	795	955	1,113	636	955	1,527	1,846	2,163	2,481
MTB.002	Paired Motor Terminal Boards	-	-	-	-	-	-	-	318	477	636	795	955	1,113
PO.001	Power Outlet (115V)	318	318	318	318	318	318	318	318	318	318	318	318	318
Mechanical Options														
CM.004	Galvanized Cabinet w/ Side Access	-254	-508	-762	-1,016	-1,270	-1,524	-1,778	-1,016	-1,524	-2,032	-2,540	-3,048	-3,556
LEGS.002	Extended Legs, 30"	114	228	342	456	570	684	798	228	342	456	570	684	798
LEGS.003	Extended Legs, 36"	114	228	342	456	570	684	798	228	342	456	570	684	798
LEGS.004	Extended Legs, 42"	114	228	342	456	570	684	798	228	342	456	570	684	798
LEGS.005	Unit Frame, Std. Legs, 20"	1,619	2,336	3,055	4,375	5,294	6,071	7,050	2,336	3,055	4,375	5,294	6,313	7,333
LEGS.006	Unit Frame, Ext. Legs, 42"	1,732	2,566	3,398	4,834	5,868	6,731	7,822	2,566	3,398	4,834	5,868	7,000	8,135
LEGS.007	Paratemp, 20"	-	381	-	764	-	-	-	381	-	764	-	-	-
LEGS.008	Paratemp, Extended Legs, 30"	-	612	-	1,222	-	-	-	612	-	1,222	-	-	-
LEGS.009	Paratemp, Extended Legs, 36"	-	612	-	1,222	-	-	-	612	-	1,222	-	-	-
LEGS.010	Paratemp, Extended Legs, 42"	-	612	-	1,222	-	-	-	612	-	1,222	-	-	-
HM.00X	Connection Manifold (shipped-loose)	-	-	-	-	-	-	-	1,176	1,527	1,559	1,718	1,782	1,972

Section 3

11 – 264 Ton

Options Pricing - Fixed Speed Models

Can't Find An Option?

Other options and accessories might be available on a custom order basis. Please contact your local Sales Representative or Account Engineer for assistance.

Factory-Installed Fan Cycling, Electrical, and Mechanical Options

- Fans are cycled in pairs on double wide units.
- Pressure fan cycling and variable speed control options are not available on multi-circuited units.
- Variable speed motor is on fan closest to header only.
- Variable speed motors have a full speed RPM of 1140 and are typically used on condensers that have either 1140RPM or 830RPM 1.5HP fixed speed motors. For condensers with 830RPM 1HP or 540RPM motors, contact factory for assistance.
- Motor terminal boards are not available on units with fan cycling.
- When ordering toggle switch option, please specify whether switches are to be internally or externally mounted.
- Fused disconnect option is only available on units with an MOP of 60 or less. Please see accompanying technical specifications.
- Power outlet is supplied unwired.
- Fan cycling kit does not include control circuit transformer. Optional factory installed control transformers are available to convert 460V man power supplies to 230V, 115V or 24V control power or 230V main power to 115V or 24V control power.

Option Code	Option Description	List Price Adder by Fan Configuration (US\$)													
		1x1	1x2	1x3	1x4	1x5	1x6	1x7	2x2	2x3	2x4	2x5	2x6	2x7	
Fan Cycling Options (Must Select Fan Cycling and Contactor Option)															
FCC.004	Individual Motor Contactors: 230V, 115V, or 24V	229	458	687	916	1,145	1,374	1,603	916	1,374	1,832	2,290	2,748	3,206	
FCC.001	Paired Motor Contactors: 230V, 115V, or 24V	-	-	-	-	-	-	-	458	687	916	1,145	1,374	1,603	
FC.003	Ambient Fan Cycling	-	879	1,185	1,579	1,972	2,367	2,761	879	1,185	1,579	1,972	2,367	2,761	
FC.004	Pressure Fan Cycling Mech. w/o Header	-	1,326	1,451	1,934	2,418	2,902	3,385	1,326	1,451	1,934	2,418	2,902	3,385	
FC.006	Pressure Fan Cycling Mech. w/ Header	1,555	1,679	2,163	2,647	3,131	3,614	4,097	1,679	2,163	2,647	3,131	3,614	4,097	
FC.005	Pressure Fan Cycling Elec. w/o Header	-	1,376	1,725	2,865	4,006	5,145	6,044	1,376	1,725	2,865	4,006	5,145	6,044	
FC.007	Pressure Fan Cycling Elec. w/ Header	1,607	1,954	3,094	4,234	5,375	6,263	7,360	1,954	3,094	4,234	5,375	6,263	7,360	
FC.008	Variable Speed with Ambient	2,227	2,526	2,839	3,233	3,628	4,022	4,416	2,526	2,839	3,233	3,628	4,022	4,416	
FC.010	Variable Speed with Pressure (Mech.)	2,614	2,807	3,105	3,587	4,073	4,557	5,039	2,807	3,105	3,587	4,073	4,557	5,039	
FC.011	Variable Speed with Pressure (Elec.)	2,768	3,066	3,379	4,519	5,660	6,537	7,635	3,066	3,379	4,519	5,660	6,537	7,635	
FC.014	Microprocessor Relay Board	2,737	2,737	2,737	2,737	2,737	2,737	2,737	2,737	2,737	2,737	2,737	2,737	2,737	
FC.015	Microprocessor Relay Board w/ Split	-	-	-	-	-	-	-	2,957	2,957	2,957	2,957	2,957	2,957	
Electrical Options															
CV.002	Control Circuit Transformer: 230V, 115V, or 24V	541	541	541	541	541	541	541	541	541	541	541	541	541	
MP.002	Individual Motor Fuses	229	458	687	916	1,145	1,374	1,603	916	1,374	1,832	2,290	2,748	3,206	
MP.004	Paired Motor Fuses	-	-	-	-	-	-	-	458	687	916	1,145	1,374	1,603	
MP.003	Individual Circuit Breakers (230V or 460V)	636	912	1,357	1,818	2,264	2,726	3,148	1,818	2,726	3,618	4,528	5,437	6,082	
MP.005	Paired Circuit Breakers (230V or 460V)	-	-	-	-	-	-	-	912	1,357	1,818	2,264	2,726	3,148	
MTB.001	Individual Motor Terminal Boards	160	318	477	636	795	955	1,113	636	955	1,527	1,846	2,163	2,481	
MTB.002	Paired Motor Terminal Boards	-	-	-	-	-	-	-	318	477	636	795	955	1,113	
FCS.002	Fan Toggle Switches	95	192	285	381	477	573	668	381	573	764	955	1,145	1,336	
FCS.004	Paired Fan Toggle Switches	-	-	-	-	-	-	-	192	285	381	477	573	668	
DISC.002	Fused Disconnect	229	456	688	916	1,145	1,371	1,604	916	1,371	1,834	2,292	2,744	3,204	
COND.001	Sealtite Wiring to Motor Rail	199	247	374	503	622	749	874	503	749	998	1,251	1,500	1,740	
COND.002	Sealtite Wiring to Electrical Box	661	1,324	1,986	2,647	3,308	3,971	4,633	2,647	3,971	5,294	6,363	7,636	8,910	
PO.001	Power Outlet (115V)	318	318	318	318	318	318	318	318	318	318	318	318	318	
Mechanical Options															
CM.004	Aluminum Cabinet	254	508	762	1,016	1,270	1,524	1,778	1,016	1,524	2,032	2,540	3,048	3,556	
CM.003	Pre-Painted Steel Cabinet	254	508	762	1,016	1,270	1,524	1,778	1,016	1,524	2,032	2,540	3,048	3,556	
CM.004	Coil Access Panels, Galv	254	508	762	1,016	1,270	1,524	1,778	1,016	1,524	2,032	2,540	3,048	3,556	
CM.005	Coil Access Panels, Aluminum	510	1,020	1,530	2,040	2,550	3,060	3,570	2,040	3,060	4,080	5,100	6,120	7,140	

11 – 264 Ton

Options Pricing - Fixed Speed Models

Can't Find An Option?

Other options and accessories might be available on a custom order basis. Please contact your local Sales Representative or Account Engineer for assistance.

Factory-Installed Fan Cycling, Electrical, and Mechanical Options

- Fans are cycled in pairs on double wide units.
- Pressure fan cycling and variable speed control options are not available on multi-circuited units.
- Variable speed motor is on fan closest to header only.
- Variable speed motors have a full speed RPM of 1140 and are typically used on condensers that have either 1140RPM or 830RPM 1.5HP fixed speed motors. For condensers with 830RPM 1HP or 540RPM motors, contact factory for assistance.
- Motor terminal boards are not available on units with fan cycling.
- When ordering toggle switch option, please specify whether switches are to be internally or externally mounted.
- Fused disconnect option is only available on units with an MOP of 60 or less. Please see accompanying technical specifications.
- Power outlet is supplied unwired.
- Fan cycling kit does not include control circuit transformer. Optional factory installed control transformers are available to convert 460V main power supplies to 230V, 115V or 24V control power or 230V main power to 115V or 24V control power.

Option Code	Option Description	List Price Adder by Fan Configuration (US\$)													
		1x1	1x2	1x3	1x4	1x5	1x6	1x7	2x2	2x3	2x4	2x5	2x6	2x7	
CM.006	Coil Access Panels, Painted Steel	510	1,020	1,530	2,040	2,550	3,060	3,570	2,040	3,060	4,080	5,100	6,120	7,140	
VEN.002	Hinged Venturi	541	1,082	1,623	2,164	2,705	3,246	3,787	2,164	3,246	4,328	5,410	6,492	7,574	
LEGS.002	Extended Legs, 30"	114	228	342	456	570	684	798	228	342	456	570	684	798	
LEGS.003	Extended Legs, 36"	114	228	342	456	570	684	798	228	342	456	570	684	798	
LEGS.004	Extended Legs, 42"	114	228	342	456	570	684	798	228	342	456	570	684	798	
LEGS.005	Unit Frame, Std. Legs, 20"	1,619	2,336	3,055	4,375	5,294	6,071	7,050	2,336	3,055	4,375	5,294	6,313	7,333	
LEGS.006	Unit Frame, Ext. Legs, 42"	1,732	2,566	3,398	4,834	5,868	6,731	7,822	2,566	3,398	4,834	5,868	7,000	8,135	
LEGS.007	Paratemp, 20"	-	381	-	764	-	-	-	381	-	764	-	-	-	
LEGS.008	Paratemp, Extended Legs, 30"	-	612	-	1,222	-	-	-	612	-	1,222	-	-	-	
LEGS.009	Paratemp, Extended Legs, 36"	-	612	-	1,222	-	-	-	612	-	1,222	-	-	-	
LEGS.010	Paratemp, Extended Legs, 42"	-	612	-	1,222	-	-	-	612	-	1,222	-	-	-	
HM.00X	Connection Manifold (shipped-loose)	-	-	-	-	-	-	-	1,176	1,527	1,559	1,718	1,782	1,972	

11 – 264 Ton

Coil Options Pricing - All Models

Can't Find An Option?

Other options and accessories might be available on a custom order basis. Please contact your local Sales Representative or Account Engineer for assistance.

Condenser Fin and Coil Protection Options

Standard Fins Per Inch is 10. 8 FPI reduces the capacity of a model and 12 FPI and 14 FPI increase the capacity of a model.

Chandler Configurable Model	List Price Adder (\$US)							
	Fins Per Inch (FPI) Options				Coil Protection Options			
	8 FPI	10 FPI	12 FPI	14 FPI	Polyester Fin Protection	ElectroFin Coils	Bronz-Glow Coating	Copper Fin Coil
Models with VSEC Motors								
HNES01A008	-382	Standard	382	765	889	Call Factory	Call Factory	Call Factory
HNES01A009	-382	Standard	382	765	1,175	Call Factory	Call Factory	Call Factory
HNES02A011	-764	Standard	764	1,530	1,195	Call Factory	Call Factory	Call Factory
HNES02A015	-765	Standard	765	1,530	1,433	Call Factory	Call Factory	Call Factory
HNES02A018	-765	Standard	765	1,530	2,327	Call Factory	Call Factory	Call Factory
HNES03A023	-1,147	Standard	1,147	2,295	2,642	Call Factory	Call Factory	Call Factory
HNES03A027	-1,147	Standard	1,147	2,295	3,772	Call Factory	Call Factory	Call Factory
HNES04A031	-1,530	Standard	1,530	3,059	3,986	Call Factory	Call Factory	Call Factory
HNES04A036	-1,530	Standard	1,530	3,059	5,315	Call Factory	Call Factory	Call Factory
HNES05A039	-1,912	Standard	1,912	3,824	4,975	Call Factory	Call Factory	Call Factory
HNES05A047	-1,912	Standard	1,912	3,824	6,632	Call Factory	Call Factory	Call Factory
HNES06A056	-2,295	Standard	2,295	4,589	7,962	Call Factory	Call Factory	Call Factory
HNES07A065	-2,677	Standard	2,677	5,354	9,291	Call Factory	Call Factory	Call Factory
HNED04A023	-1,528	Standard	1,528	3,060	2,387	Call Factory	Call Factory	Call Factory
HNED04A031	-1,530	Standard	1,530	3,059	3,523	Call Factory	Call Factory	Call Factory
HNED04A036	-1,530	Standard	1,530	3,059	4,656	Call Factory	Call Factory	Call Factory
HNED06A046	-2,295	Standard	2,295	4,589	5,284	Call Factory	Call Factory	Call Factory
HNED06A054	-2,295	Standard	2,295	4,589	7,542	Call Factory	Call Factory	Call Factory
HNED08A062	-3,059	Standard	3,059	6,118	7,973	Call Factory	Call Factory	Call Factory
HNED08A073	-3,059	Standard	3,059	6,118	10,629	Call Factory	Call Factory	Call Factory
HNED10A079	-3,824	Standard	3,824	7,649	9,949	Call Factory	Call Factory	Call Factory
HNED10A093	-3,824	Standard	3,824	7,649	13,267	Call Factory	Call Factory	Call Factory
HNED12A112	-4,589	Standard	4,589	9,178	15,924	Call Factory	Call Factory	Call Factory
HNED14A129	-5,354	Standard	5,354	10,708	18,581	Call Factory	Call Factory	Call Factory
Models with 540 RPM (0.5HP) Motors								
HNQS01A005	-382	Standard	382	765	889	Call Factory	Call Factory	Call Factory
HNQS01A006	-382	Standard	382	765	1,175	Call Factory	Call Factory	Call Factory
HNQS02A008	-764	Standard	764	1,530	1,195	Call Factory	Call Factory	Call Factory
HNQS02A010	-765	Standard	765	1,530	1,433	Call Factory	Call Factory	Call Factory
HNQS02A011	-765	Standard	765	1,530	2,327	Call Factory	Call Factory	Call Factory
HNQS03A016	-1,147	Standard	1,147	2,295	2,642	Call Factory	Call Factory	Call Factory
HNQS03A017	-1,147	Standard	1,147	2,295	3,772	Call Factory	Call Factory	Call Factory
HNQS04A021	-1,530	Standard	1,530	3,059	3,986	Call Factory	Call Factory	Call Factory
HNQS04A023	-1,530	Standard	1,530	3,059	5,315	Call Factory	Call Factory	Call Factory
HNQS05A026	-1,912	Standard	1,912	3,824	4,975	Call Factory	Call Factory	Call Factory
HNQS05A029	-1,912	Standard	1,912	3,824	6,632	Call Factory	Call Factory	Call Factory
HNQS06A034	-2,295	Standard	2,295	4,589	7,962	Call Factory	Call Factory	Call Factory

11 – 264 Ton

Coil Options Pricing - All Models

Can't Find An Option?

Other options and accessories might be available on a custom order basis. Please contact your local Sales Representative or Account Engineer for assistance.

Condenser Fin and Coil Protection Options

Standard Fins Per Inch is 10. 8 FPI reduces the capacity of a model and 12 FPI and 14 FPI increase the capacity of a model.

Chandler Configurable Model	List Price Adder (\$US)							
	Fins Per Inch (FPI) Options				Coil Protection Options			
	8 FPI	10 FPI	12 FPI	14 FPI	Polyester Fin Protection	ElectroFin Coils	Bronz-Glow Coating	Copper Fin Coil
HNQS07A042	-2,677	Standard	2,677	5,354	9,291	Call Factory	Call Factory	Call Factory
HNQD04A016	-1,528	Standard	1,528	3,060	2,387	Call Factory	Call Factory	Call Factory
HNQD04A021	-1,530	Standard	1,530	3,059	3,523	Call Factory	Call Factory	Call Factory
HNQD04A023	-1,530	Standard	1,530	3,059	4,656	Call Factory	Call Factory	Call Factory
HNQD06A031	-2,295	Standard	2,295	4,589	5,284	Call Factory	Call Factory	Call Factory
HNQD06A034	-2,295	Standard	2,295	4,589	7,542	Call Factory	Call Factory	Call Factory
HNQD08A041	-3,059	Standard	3,059	6,118	7,973	Call Factory	Call Factory	Call Factory
HNQD08A046	-3,059	Standard	3,059	6,118	10,629	Call Factory	Call Factory	Call Factory
HNQD10A052	-3,824	Standard	3,824	7,649	9,949	Call Factory	Call Factory	Call Factory
HNQD10A057	-3,824	Standard	3,824	7,649	13,267	Call Factory	Call Factory	Call Factory
HNQD12A069	-4,589	Standard	4,589	9,178	15,924	Call Factory	Call Factory	Call Factory
HNQD14A083	-5,354	Standard	5,354	10,708	18,581	Call Factory	Call Factory	Call Factory
Models with 830 RPM (1.0HP) Motors								
HNXS01A006	-382	Standard	382	765	889	Call Factory	Call Factory	Call Factory
HNXS01A008	-382	Standard	382	765	1,175	Call Factory	Call Factory	Call Factory
HNXS02A010	-764	Standard	764	1,530	1,195	Call Factory	Call Factory	Call Factory
HNXS02A013	-765	Standard	765	1,530	1,433	Call Factory	Call Factory	Call Factory
HNXS02A015	-765	Standard	765	1,530	2,327	Call Factory	Call Factory	Call Factory
HNXS03A020	-1,147	Standard	1,147	2,295	2,642	Call Factory	Call Factory	Call Factory
HNXS03A023	-1,147	Standard	1,147	2,295	3,772	Call Factory	Call Factory	Call Factory
HNXS04A026	-1,530	Standard	1,530	3,059	3,986	Call Factory	Call Factory	Call Factory
HNXS04A030	-1,530	Standard	1,530	3,059	5,315	Call Factory	Call Factory	Call Factory
HNXS05A033	-1,912	Standard	1,912	3,824	4,975	Call Factory	Call Factory	Call Factory
HNXS05A038	-1,912	Standard	1,912	3,824	6,632	Call Factory	Call Factory	Call Factory
HNXS06A045	-2,295	Standard	2,295	4,589	7,962	Call Factory	Call Factory	Call Factory
HNXS07A052	-2,677	Standard	2,677	5,354	9,291	Call Factory	Call Factory	Call Factory
HNXD04A020	-1,528	Standard	1,528	3,060	2,387	Call Factory	Call Factory	Call Factory
HNXD04A026	-1,530	Standard	1,530	3,059	3,523	Call Factory	Call Factory	Call Factory
HNXD04A030	-1,530	Standard	1,530	3,059	4,656	Call Factory	Call Factory	Call Factory
HNXD06A039	-2,295	Standard	2,295	4,589	5,284	Call Factory	Call Factory	Call Factory
HNXD06A045	-2,295	Standard	2,295	4,589	7,542	Call Factory	Call Factory	Call Factory
HNXD08A052	-3,059	Standard	3,059	6,118	7,973	Call Factory	Call Factory	Call Factory
HNXD08A061	-3,059	Standard	3,059	6,118	10,629	Call Factory	Call Factory	Call Factory
HNXD10A066	-3,824	Standard	3,824	7,649	9,949	Call Factory	Call Factory	Call Factory
HNXD10A076	-3,824	Standard	3,824	7,649	13,267	Call Factory	Call Factory	Call Factory
HNXD12A091	-4,589	Standard	4,589	9,178	15,924	Call Factory	Call Factory	Call Factory
HNXD14A104	-5,354	Standard	5,354	10,708	18,581	Call Factory	Call Factory	Call Factory

11 – 264 Ton

Coil Options Pricing - All Models

Can't Find An Option?

Other options and accessories might be available on a custom order basis. Please contact your local Sales Representative or Account Engineer for assistance.

Condenser Fin and Coil Protection Options

Standard Fins Per Inch is 10. 8 FPI reduces the capacity of a model and 12 FPI and 14 FPI increase the capacity of a model.

Chandler Configurable Model	List Price Adder (\$US)							
	Fins Per Inch (FPI) Options				Coil Protection Options			
	8 FPI	10 FPI	12 FPI	14 FPI	Polyester Fin Protection	ElectroFin Coils	Bronz-Glow Coating	Copper Fin Coil
Models with 830 RPM (1.5HP) Motors								
HNLS01A007	-382	Standard	382	765	889	Call Factory	Call Factory	Call Factory
HNLS01A008	-382	Standard	382	765	1,175	Call Factory	Call Factory	Call Factory
HNLS02A010	-764	Standard	764	1,530	1,195	Call Factory	Call Factory	Call Factory
HNLS02A014	-765	Standard	765	1,530	1,433	Call Factory	Call Factory	Call Factory
HNLS02A016	-765	Standard	765	1,530	2,327	Call Factory	Call Factory	Call Factory
HNLS03A021	-1,147	Standard	1,147	2,295	2,642	Call Factory	Call Factory	Call Factory
HNLS03A024	-1,147	Standard	1,147	2,295	3,772	Call Factory	Call Factory	Call Factory
HNLS04A028	-1,530	Standard	1,530	3,059	3,986	Call Factory	Call Factory	Call Factory
HNLS04A032	-1,530	Standard	1,530	3,059	5,315	Call Factory	Call Factory	Call Factory
HNLS05A035	-1,912	Standard	1,912	3,824	4,975	Call Factory	Call Factory	Call Factory
HNLS05A042	-1,912	Standard	1,912	3,824	6,632	Call Factory	Call Factory	Call Factory
HNLS06A050	-2,295	Standard	2,295	4,589	7,962	Call Factory	Call Factory	Call Factory
HNLS07A055	-2,677	Standard	2,677	5,354	9,291	Call Factory	Call Factory	Call Factory
HNLD04A020	-1,528	Standard	1,528	3,060	2,387	Call Factory	Call Factory	Call Factory
HNLD04A028	-1,530	Standard	1,530	3,059	3,523	Call Factory	Call Factory	Call Factory
HNLD04A032	-1,530	Standard	1,530	3,059	4,656	Call Factory	Call Factory	Call Factory
HNLD06A042	-2,295	Standard	2,295	4,589	5,284	Call Factory	Call Factory	Call Factory
HNLD06A048	-2,295	Standard	2,295	4,589	7,542	Call Factory	Call Factory	Call Factory
HNLD08A056	-3,059	Standard	3,059	6,118	7,973	Call Factory	Call Factory	Call Factory
HNLD08A065	-3,059	Standard	3,059	6,118	10,629	Call Factory	Call Factory	Call Factory
HNLD10A071	-3,824	Standard	3,824	7,649	9,949	Call Factory	Call Factory	Call Factory
HNLD10A083	-3,824	Standard	3,824	7,649	13,267	Call Factory	Call Factory	Call Factory
HNLD12A100	-4,589	Standard	4,589	9,178	15,924	Call Factory	Call Factory	Call Factory
HNLD14A110	-5,354	Standard	5,354	10,708	18,581	Call Factory	Call Factory	Call Factory
Models with 1140 RPM (1.5HP) Motors								
HNHS01A007	-382	Standard	382	765	889	Call Factory	Call Factory	Call Factory
HNHS01A009	-382	Standard	382	765	1,175	Call Factory	Call Factory	Call Factory
HNHS02A011	-764	Standard	764	1,530	1,195	Call Factory	Call Factory	Call Factory
HNHS02A015	-765	Standard	765	1,530	1,433	Call Factory	Call Factory	Call Factory
HNHS02A017	-765	Standard	765	1,530	2,327	Call Factory	Call Factory	Call Factory
HNHS03A022	-1,147	Standard	1,147	2,295	2,642	Call Factory	Call Factory	Call Factory
HNHS03A026	-1,147	Standard	1,147	2,295	3,772	Call Factory	Call Factory	Call Factory
HNHS04A029	-1,530	Standard	1,530	3,059	3,986	Call Factory	Call Factory	Call Factory
HNHS04A034	-1,530	Standard	1,530	3,059	5,315	Call Factory	Call Factory	Call Factory
HNHS05A037	-1,912	Standard	1,912	3,824	4,975	Call Factory	Call Factory	Call Factory
HNHS05A044	-1,912	Standard	1,912	3,824	6,632	Call Factory	Call Factory	Call Factory

11 – 264 Ton
Coil Options Pricing - All Models

Can't Find An Option?

Other options and accessories might be available on a custom order basis. Please contact your local Sales Representative or Account Engineer for assistance.

Condenser Fin and Coil Protection Options

Standard Fins Per Inch is 10. 8 FPI reduces the capacity of a model and 12 FPI and 14 FPI increase the capacity of a model.

Chandler Configurable Model	List Price Adder (\$US)							
	Fins Per Inch (FPI) Options				Coil Protection Options			
	8 FPI	10 FPI	12 FPI	14 FPI	Polyester Fin Protection	ElectroFin Coils	Bronz-Glow Coating	Copper Fin Coil
HNHS06A053	-2,295	Standard	2,295	4,589	7,962	Call Factory	Call Factory	Call Factory
HNHS07A061	-2,677	Standard	2,677	5,354	9,291	Call Factory	Call Factory	Call Factory
HNHD04A021	-1,528	Standard	1,528	3,060	2,387	Call Factory	Call Factory	Call Factory
HNHD04A029	-1,530	Standard	1,530	3,059	3,523	Call Factory	Call Factory	Call Factory
HNHD04A034	-1,530	Standard	1,530	3,059	4,656	Call Factory	Call Factory	Call Factory
HNHD06A044	-2,295	Standard	2,295	4,589	5,284	Call Factory	Call Factory	Call Factory
HNHD06A051	-2,295	Standard	2,295	4,589	7,542	Call Factory	Call Factory	Call Factory
HNHD08A058	-3,059	Standard	3,059	6,118	7,973	Call Factory	Call Factory	Call Factory
HNHD08A068	-3,059	Standard	3,059	6,118	10,629	Call Factory	Call Factory	Call Factory
HNHD10A074	-3,824	Standard	3,824	7,649	9,949	Call Factory	Call Factory	Call Factory
HNHD10A088	-3,824	Standard	3,824	7,649	13,267	Call Factory	Call Factory	Call Factory
HNHD12A106	-4,589	Standard	4,589	9,178	15,924	Call Factory	Call Factory	Call Factory
HNHD14A122	-5,354	Standard	5,354	10,708	18,581	Call Factory	Call Factory	Call Factory

Microchannel Condenser

Overview



Product Description

The microchannel air-cooled condenser platform provides significant refrigerant and energy savings vs. standard round tube plate fin condensers. These condensers can provide more than a 70% reduction in condenser refrigerant charge due to an efficient coil design and low internal volume. This condenser is available with variable speed EC motors which continuously adjust speed to optimize system performance, providing significant energy savings and sound reduction. The all-aluminum construction of these microchannel coils virtually eliminates the risk of galvanic corrosion enabling application even in harsh environments and coastal areas. The use of microchannel coil technology and energy efficient variable speed EC motors makes this product qualified to be included in the **E Solutions™** product portfolio.

Certifications



Standard Features

Ease of Installation & Service

- Up to 34% lighter than comparable air-cooled condensers with round-tube, plate fin coils
- Approximately 25% lower in height (with same clearance) compared to traditional air-cooled condensers.
- 20" Clearance legs are standard with 40" extended legs available as an option
- Standard connection manifold provided for single circuiting. Other circuiting configurations are available.
- Factory wired for customer supplied analog signal
- Direct acting, series wired motor control
- Through-the-door non-fused disconnect switch
- End access panels for coil-cleaning

Reliable & Durable

- The mono-metal construction of the microchannel coils virtually eliminates the risk of galvanic corrosion. A zinc cladding standard on all coils provides additional corrosion resistance for harsh environments.
- Standard product warranty of 1 year with a 2 year warranty on the microchannel coil and a 3 year warranty on the variable speed EC motors.

Performance

- 70% or more reduction in refrigerant charge due to microchannel coils very high primary to secondary surface area ratio. This allows very efficient heat exchange while maintaining a low internal tube volume.
- Available variable speed EC motors provide optimal energy and sound performance
- Fixed speed AC motors are designed to be compatible for use with variable frequency drives (VFD's).
- Internal baffles between all fan cells.
- SunSource solar energy option also available on this product.

Nomenclature

NR	G	D	04	A	027
Product Line	Model Identifier	Width	# of Fans	Model Identifier	Standard Capacity
NR = Air Cooled Condenser w/ Microchannel Coil Technology	G = 710mm VSEC J = 710mm AC	D = Dual	02 = 2 04 = 4 06 = 6 08 = 8	A = Current Revision	(MBH/Degree TD, R404A)

Microchannel Condenser

Configurable Models Pricing

Need to customize?

- Look below for factory-installed fan control, electrical, and mechanical options.

Configurable Models, Motor Voltages, & List Prices

Specify model, motor voltage, and coil circuiting configuration at time of order. Standard connection manifold is for a single circuit. Other circuiting configurations are available. Please see accompanying technical specifications.

Chandler Configurable Model	List Price by Motor Voltage (\$US)		Fan Config.	Notes
	208-230/3/60	460/3/60		
Models with 710mm VSEC Motors				
NRGD02A014	33,804	33,804	2x1	-
NRGD04A027	68,972	68,972	2x2	-
NRGD06A041	103,458	103,458	2x3	-
NRGD08A054	138,469	138,469	2x4	-
Models with 710mm AC Motors				
NRJD02A014	19,165	19,165	2x1	-
NRJD04A027	38,283	38,283	2x2	-
NRJD06A041	57,443	57,443	2x3	-
NRJD08A054	76,915	76,915	2x4	-

Microchannel Condenser

Options Pricing – VSEC Models

Can't Find An Option?

Other options and accessories might be available on a custom order basis. Please contact your local Sales Representative or Account Engineer for assistance.

Factory-Installed Fan Control, Electrical, and Mechanical Options

Standard factory-installed connection manifold is for a single circuit. Other circuiting configurations are available and must be specified at time of order.

Option Code	Option Description	List Price Adder by Model (US\$)			
		NRGD02A014	NRGD04A027	NRGD06A041	NRGD08A054
Fan Control Options					
ECC.002	CPC Analog Control Board	2,957	2,957	2,957	2,957
ECC.003	Danfoss Analog Control Board	3,277	3,277	3,277	3,277
ECC.004	Novar Analog Control Board	3,115	3,115	3,115	3,115
ECC.005	Proportional Pressure Control	2,092	2,092	2,092	2,092
Electrical Options					
MP.002	Individual Motor Fuses	458	916	1,374	1,832
MP.003	Individual Circuit Breakers (230V or 460V)	912	1,818	2,726	3,618
Mechanical Options					
LEGC.002	Extended Legs, 40"	436	436	436	657
Other Options					
PKG.002	Export Crating	946	1,366	1,786	2,206

Microchannel Condenser

Options Pricing – AC Models

Factory-Installed Fan Control, Electrical, and Mechanical Options

Other circuiting configurations are available and must be specified at time of order.

Option Code	Option Description	List Price Adder by Model (US\$)			
		NRJD02A014	NRJD04A027	NRJD06A041	NRJD08A054
Fan Control Options					
FC.014	CPC Analog Control Board	2,657	2,657	2,657	2,657
FC.002	2P TB FC	229	229	229	229
FC.003	Ambient Fan Cycling	1,336	1,336	1,336	1,336
FC.006	Pressure Fan Cycling Mech.	2,074	2,074	2,074	2,074
FC.007	Pressure Fan Cycling Elec.	2,341	2,341	2,341	2,341
FC.012	Danfoss Analog Control Board	3,153	3,153	3,153	3,153
FC.013	Novar Analog Control Board	3,140	3,140	3,140	3,140
Electrical Options					
CV.002	Control Circuit Transformer	541	541	541	541
Mechanical Options					
LEGC.002	Extended Legs, 40"	436	436	436	657
Other Options					
PKG.002	Export Crating	946	1,366	1,786	2,206

2P TB FC - Two Pole Terminal Board Fan Cycling

Small Fluid Coolers

Overview



Product Description

Direct-drive fluid coolers, available in horizontal or vertical airflow, are ideal for commercial/industrial locations. Available in sizes 5 to 26 tons, these units are easy to install and maintain. Specifically engineered for outdoor installations, the cabinet is constructed of heavy gauge aluminum to resist corrosion in all climates.

Certifications



Standard Features

Ease of Installation & Service

- Completely assembled and tested at the factory
- All fan motor leads are wired to a weatherproof electrical enclosure for single-point field wiring

Reliable & Durable

- Cabinets are heavy-duty construction and designed for outdoor applications; tube sheets and all structural members are fabricated from galvanized steel
- Cabinet panels are fabricated from heavy-gauge aluminum for an attractive appearance and corrosion protection
- Coils are fabricated with corrugated aluminum fins with staggered copper tubes for optimum heat transfer; all units are pressure-tested, dehydrated and pressurized prior to shipment
- Balanced fans, featuring heavy gauge aluminum blades riveted to plated steel spiders
- Corrosion resistant fan blades and guards
- Fan guards are coated steel for optimum corrosion protection
- Wide fin spacing minimizes fouling from foreign materials
- Fan motors have thermal overload protection and permanently lubricated ball bearings

Performance

- Fully baffled fan sections provide structural strength and prevent fan wind-milling in the off cycle
- Coils are the patented cross-fin coil with staggered seamless copper tubes expanded into full collar aluminum fins for high heat transfer efficiency

Versatile

- Available in horizontal or vertical airflow
- Sizes available from 10 GPM through 160 GPM
- A wide selection of circuit options maximizes performance at minimal cost

Nomenclature

WGS	107
Product Line	Size
Direct Drive Fluid Cooler	Model

Small Fluid Coolers

Configurable Models & Options Pricing

Configurable Models, Factory-Installed Options, & List Prices

- Specify model motor voltage and type at time of order. 208-230/1/60 motors may be field connected to 230/3/60 power.
- Standard Control Circuit Voltage is 230V unless otherwise specified. 24V & 115V are available at no additional cost. Specify control circuit voltage when ordering.
- Fan cycling pricing does not include control circuit transformer for 460V units. If needed, transformer can be ordered from ship-loose accessories.

Chandler Configurable Model	List Price (\$US)	Fan Config.	Factory-Installed Options List Price Adders (\$US)				
			Fan Cycling Options		Coil Coatings		
			1 PH Amb.	3 PH Amb.	Polyester Coated Fins	ElectroFin Coil	Bronz-Glow Coating
208-230/1/60 with PSC Motors							
WGS049	5,556	1x1	-	-	328	Call Factory	Call Factory
WGS080	7,017	1x1	-	-	522	Call Factory	Call Factory
WGS107	8,577	1x2	504	-	588	Call Factory	Call Factory
WGS123	9,631	1x2	504	-	648	Call Factory	Call Factory
WGS147	11,015	1x2	504	-	784	Call Factory	Call Factory
WGS165	12,073	1x2	504	-	960	Call Factory	Call Factory
WGS211	13,920	1x3	702	-	1,063	Call Factory	Call Factory
WGS225	14,313	1x3	702	-	1,212	Call Factory	Call Factory
WGS248	15,628	1x3	702	-	1,474	Call Factory	Call Factory
208-230/3/60 with Polyphase Motors							
WGS049	5,885	1x1	-	-	328	Call Factory	Call Factory
WGS080	7,273	1x1	-	-	522	Call Factory	Call Factory
WGS107	9,202	1x2	-	1,268	588	Call Factory	Call Factory
WGS123	10,148	1x2	-	1,268	648	Call Factory	Call Factory
WGS147	11,531	1x2	-	1,268	784	Call Factory	Call Factory
WGS165	12,590	1x2	-	1,268	960	Call Factory	Call Factory
WGS211	14,700	1x3	-	1,564	1,063	Call Factory	Call Factory
WGS225	15,090	1x3	-	1,564	1,212	Call Factory	Call Factory
WGS248	16,404	1x3	-	1,564	1,474	Call Factory	Call Factory
460/3/60 with Polyphase Motors							
WGS049	5,885	1x1	-	-	328	Call Factory	Call Factory
WGS080	7,273	1x1	-	-	522	Call Factory	Call Factory
WGS107	9,202	1x2	-	1,268	588	Call Factory	Call Factory
WGS123	10,148	1x2	-	1,268	648	Call Factory	Call Factory
WGS147	11,531	1x2	-	1,268	784	Call Factory	Call Factory
WGS165	12,590	1x2	-	1,268	960	Call Factory	Call Factory
WGS211	14,700	1x3	-	1,564	1,063	Call Factory	Call Factory
WGS225	15,090	1x3	-	1,564	1,212	Call Factory	Call Factory
WGS248	16,404	1x3	-	1,564	1474	Call Factory	Call Factory

Notes:

1. For selection or sizing assistance, use Heatcraft's New ProSelect software or contact your local your Sales Representative or Account Engineer.
2. Copper Fin Coils are available. Contact your Sales Representative or Account Engineer for more information.

Small Fluid Coolers

Shipped-Loose Accessories

Can't Find An Option or Accessory?

Other options and accessories might be available on a custom order basis. Please contact your local Sales Representative or Account Engineer for assistance.

Part Number	Description	Models Used On	List Price (\$US)	Notes
8990065	Expansion tank and mounting kit	ALL	592	12x24 horizontal tank, 12 gallon, 30 PSIG, non-ASME
R038253919	Control Circuit Transformer	ALL	528	-

Large Fluid Coolers

Overview



Product Description

Direct drive fluid coolers available in 23 to 212 nominal tons with vertical air flow are designed to save time on installation, provide excellent performance, long service life and a wide range of performance selections. These units are ideal for commercial/industrial locations and are constructed of heavy gauge aluminium and galvanized steel providing the corrosion resistance necessary in outdoor applications.

Certifications



Standard Features

Ease of Installation & Service

- Completely assembled and tested at the factory
- All fan motor leads are wired to a weather resistant electrical enclosure for single-point field wiring

Reliable & Durable

- Cabinets are heavy-duty construction and designed for outdoor applications; tube sheets and all structural members are fabricated from galvanized steel
- Cabinet panels are fabricated from heavy-gauge aluminum for an attractive appearance and corrosion protection
- Coils are fabricated with corrugated aluminum fins with staggered copper tubes for optimum heat transfer; all units are pressure-tested, dehydrated and pressurized prior to shipment
- Floating Tube™ coil design reduces the possibility of tube sheet leaks
- Statically and dynamically balanced fan blades are aluminum and riveted to painted steel spider and hubs
- Fan guards are coated steel for optimum corrosion protection
- Fan motors have thermal overload protection and permanently lubricated ball bearings

Performance

- Fully baffled fan sections provide structural strength and prevent fan wind-milling in the off cycle

Versatile

- Vertical airflow
- Modular design with models in single and double rows of fans
- Flow rates available from 20 GPM through 500 GPM
- A wide selection of circuit options maximizes performance at minimal cost

Nomenclature

HFS	133
Product Line	Size
Direct Drive Fluid Cooler	Model

Large Fluid Coolers

Configurable Models Pricing

Need to customize?

- Look on page 185 for factory-installed options.
- Look on page 186 for shipped-loose accessories.

Specify model motor voltage at time of order.

Chandler Configurable Model	List Price by Motor Voltage (\$US)		Fan Config.
	208-230/3/60	460/3/60	
HFS113	14,322	14,322	1x2
HFS133	15,376	15,376	1x2
HFS149	17,410	17,410	1x2
HFS175	20,675	20,675	1x2
HFS199	23,952	23,952	1x3
HFS223	25,627	25,627	1x3
HFS226	28,772	28,772	2x2
HFS247	28,217	28,217	1x3
HFS265	31,043	31,043	1x4
HFS266	31,183	31,183	2x2
HFS298	34,135	34,135	2x2
HFS297	33,922	33,922	1x4
HFS331	36,923	36,923	1x4
HFS330	37,630	37,630	2x2
HFS350	40,741	40,741	2x2
HFS351	40,344	40,344	1x4
HFS377	44,540	44,540	1x5
HFS401	46,835	46,835	1x5
HFS398	47,116	47,116	2x3
HFS428	51,111	51,111	2x3
HFS443	50,563	50,563	1x5
HFS448	53,400	53,400	2x3
HFS481	55,730	55,730	1x6
HFS496	58,208	58,208	2x3
HFS532	64,436	64,436	2x4
HFS583	62,463	62,463	1x6
HFS596	71,104	71,104	2x4
HFS660	78,390	78,390	2x4
HFS700	81,945	81,945	2x4
HFS754	88,311	88,311	2x5
HFS804	93,176	93,176	2x5
HFS842	99,389	99,389	2x5
HFS888	102,651	102,651	2x5
HFS964	114,763	114,763	2x6
HFS986	117,765	117,765	2x6
HFS998	124,529	124,529	2x6

Notes:

For sizing and selection assistance, use Heatcraft's new ProSelect software or contact your local Sales Representative or Account Engineer.

Large Fluid Coolers

Options Pricing – All Models

Can't Find An Option?

Other options and accessories might be available on a custom order basis. Please contact your local Sales Representative or Account Engineer for assistance.

Factory-Installed Fan Cycling, Electrical, and Mechanical Options

- Fan cycling is based on leaving liquid temperature. Single wide fan cycling kits consist of a motor contactor per fan with fan cycling controls on all fans except the header fan. Double wide fan cycling kits consist of a motor contactor per pair of fans with fan cycling controls on all fans except the header pair of fans.
- The standard fan cycling control circuit is 230V with power field supplied by others. 24V and 115V control circuits with power field supplied by others are available at no additional cost. Specify control circuit voltage at time of order.
- Fan cycling kit does not include control circuit transformer. Optional factory installed control transformers are available to convert 460V main power supplies to 230V, 115V or 24V control power or 230V main power to 115V or 24V control power.

Option Code	Option Description	List Price Adder by Fan Configuration (US\$)									
		1x2	1x3	1x4	1x5	1x6	2x2	2x3	2x4	2x5	2x6
Fan Cycling Options											
R040.R005	Fan Cycling	1,329	1,668	2,423	2,959	3,747	1,329	1,668	2,423	2,959	3,747
Electrical Options											
CV.002	Control Circuit Transformer	497	497	497	497	497	497	497	497	497	497
MP.002	Individual Motor Fuses	458	687	916	1,145	1,374	916	1,374	1,832	2,291	2,748
MP.004	Paired Motor Fuses	-	-	-	-	-	458	687	916	1,145	1,374
MP.003	Individual Circuit Breakers (240V or 460V)	912	1,357	1,818	2,264	2,726	1818	2,726	3,618	4,528	5,437
MP.005	Paired Circuit Breakers (240V or 460V)	-	-	-	-	-	912	1,357	1,818	2,264	2,726
FCS.002	Fan Toggle Switches	192	285	381	477	573	381	573	764	955	1,145
FCS.004	Paired Fan Toggle Switches	-	-	-	-	-	192	285	381	477	573

Coil Protection Options

Chandler Configurable Model	List Price Adders (\$US)		
	Polyester Fin Protection	ElectroFin Coils	Bronz-Glow Coating
Single Row of Fans			
HFS113	829	Call Factory	Call Factory
HFS133	873	Call Factory	Call Factory
HFS149	1,324	Call Factory	Call Factory
HFS175	1,929	Call Factory	Call Factory
HFS199	2,152	Call Factory	Call Factory
HFS223	2,152	Call Factory	Call Factory
HFS247	2,679	Call Factory	Call Factory
HFS265	3,207	Call Factory	Call Factory
HFS297	3,207	Call Factory	Call Factory
HFS331	4,050	Call Factory	Call Factory
HFS351	4,050	Call Factory	Call Factory
HFS377	4,473	Call Factory	Call Factory
HFS401	5,558	Call Factory	Call Factory
HFS443	5,558	Call Factory	Call Factory
HFS481	6,391	Call Factory	Call Factory
HFS583	7,223	Call Factory	Call Factory

Chandler Configurable Model	List Price Adders (\$US)		
	Polyester Fin Protection	ElectroFin Coils	Bronz-Glow Coating
Double Row of Fans			
HFS226	1,659	Call Factory	Call Factory
HFS266	1,745	Call Factory	Call Factory
HFS298	2,647	Call Factory	Call Factory
HFS330	3,856	Call Factory	Call Factory
HFS350	3,856	Call Factory	Call Factory
HFS398	4,301	Call Factory	Call Factory
HFS428	4,301	Call Factory	Call Factory
HFS448	4,301	Call Factory	Call Factory
HFS496	5,359	Call Factory	Call Factory
HFS532	6,416	Call Factory	Call Factory
HFS596	6,416	Call Factory	Call Factory
HFS660	8,100	Call Factory	Call Factory
HFS700	8,100	Call Factory	Call Factory
HFS754	8,948	Call Factory	Call Factory
HFS804	11,116	Call Factory	Call Factory
HFS842	11,116	Call Factory	Call Factory
HFS888	11,116	Call Factory	Call Factory
HFS964	12,290	Call Factory	Call Factory
HFS986	13,892	Call Factory	Call Factory
HFS998	14,777	Call Factory	Call Factory

Notes:

Copper Fin Coils are available. Contact your Sales Representative or Account Engineer for more information.

Large Fluid Coolers

Shipped-Loose Accessories

Can't Find An Option or Accessory?

Other options and accessories might be available on a custom order basis. Please contact your local Sales Representative or Account Engineer for assistance.

Connection Manifold Kits

Fluid cooler manifolds are for converting standard two circuit fluid coolers to single circuit. Price includes all tube and fittings for field brazing to inlet and outlet.

Feeds	Part Number	List Price (\$US)	Inlet	Outlet
18	MANF18	1,544	2 @ 2 1/8"	1 @ 4 1/8"
28	MANF28	1,544	2 @ 2 1/8"	1 @ 4 1/8"
36	MANF36	1,544	2 @ 2 1/8"	1 @ 4 1/8"
42	MANF42	1,645	2 @ 2 5/8"	1 @ 4 1/8"
56	MANF56	1,645	2 @ 2 5/8"	1 @ 4 1/8"
84	MANF84	2,655	2 @ 3 1/8"	1 @ 4 1/8"
112	MAN112	3,502	2 @ 3 5/8"	1 @ 4 1/8"

Beacon II™ Refrigeration System

System Overview



Product Description

Beacon II™ Refrigeration System is a patented, pre-assembled, factory-installed refrigeration control system featuring an integrated microcomputer-based electronic control board and an electric expansion valve at the heart of the system. With components factory mounted at both the condensing unit and evaporator, the Beacon II™ system can be used with single or multiple evaporator applications. While perfect for restaurants and convenience stores, the Beacon II™ system can be scaled up to meet the needs of larger refrigerated warehouses with optional system devices such as the Beacon II™ Smart Controller and Communications Hub.

Certifications



Features and Benefits

Reduced Installation Time/Cost

- Factory mounted components, testing, and programming substantially reduces field assembly and fine tuning at the job site

Increased System Efficiency & Reliability

- Beacon II™ electronic control board and electric expansion valve more accurately controls the flow of refrigerant versus traditional thermal expansion and solenoid valves
- Preset factory superheat allowing the system to run more efficiently and reducing future adjustments

Reduced Energy & Operating Costs

- Reduce up to 75% of unnecessary defrosts per day versus traditional timer systems with the Beacon II™ Smart Defrost

Improved Product Integrity & Reduced Spoilage

- Precise temperature control improves product integrity while alarm notifications helps prevent small problems from turning into large problems

Strengthen Food Safety Compliance Programs

- Data-logging capability helps comply with FDA and USDA HACCP food safety requirements

Compatible with the Remote Refrigeration Control

- Web based remote monitoring and control service offering that provides instant access 24/7 to real time refrigeration system status and information

Factory Mounted Components

Condensing Unit

- Wired for Beacon II™ control with all necessary relays, contactors, time delay, and terminal blocks
- Outdoor air temperature sensor

Evaporator

- Beacon II™ control board with easy to read alphanumeric LED display
- Three temperature sensors (defrost temp, suction temp, room temp)
- Electronic expansion valve that closes automatically on loss of power
- 24-volt transformer, 24-volt compressor contactor, low pressure time delay switch, and suction pressure transducer

Eliminated Components

These traditional components are not required with a Beacon II™ system:

- Liquid-line solenoid valve
- Room thermostat
- Thermal expansion valve
- Defrost time clock
- Defrost termination/fan delay switch
- Defrost and fan contactors

Optional Devices

- Beacon II™ Smart Controller
- Beacon II™ Smart Defrost
- Beacon II™ Smart II Software
- Beacon II™ Communications Hub

Beacon II™ Refrigeration System

Selection & Pricing

STEP 1 : Determine the condensing unit and evaporator(s) needed for the heat load and application.

STEP 2 : Price the Beacon II™ condensing unit model with options from the appropriate section in this product catalog.

Note : Defrost kits are not required since the Beacon II™ factory-installed components in the condensing unit include all the accessories necessary for defrost.

STEP 3 : Price the evaporator(s) with the factory-installed Beacon II™ system option from the appropriate section in this product catalog.

STEP 4 : Save more energy and further reduce operating costs by adding additional Beacon II™ system components from below.



Beacon II™ Smart Controller

- Optional system monitoring and programming control device.
- Mount in a convenient location for easy access on site.
- Remote access capability via a web connection.
- Can program and control up to four condensing units with up to four evaporators on each system.

Beacon II™ Smart Controller	
Part Number	List Price (\$US)
89704301	2,251



Beacon II™ Smart Defrost

- A patented algorithm included in the Beacon II™ Smart Controller.
- Predicts frost accumulation and initiate defrosts only when needed.
- Reduce up to 75% of unnecessary defrosts per day verses traditional timer systems.



Beacon II™ Smart II Software

- Windows®-based software
- Remote system monitoring, programming, and data logging.
- Data-logging capability helps comply with FDA and USDA HACCP food safety requirements.

Beacon II™ Smart II Software	
Part Number	List Price (\$US)
89704101	649



Beacon II™ Communications Hub Kit

- Allows single point connection of up to 4 Smart Controllers.
- Includes one 24 VAC power supply, four serial ribbon cables, and four 6 ft. null modem cables.

Beacon II™ Comm. Hub Kit	
Part Number	List Price (\$US)
89708001	6,734

Beacon II™ must be ordered as a system! When ordering a Beacon II™ system, please advise the box temperature, liquid temperature and refrigerant so that the proper evaporator nozzle can be installed. When applying an electric defrost coil in a medium temperature application, nozzle size is critical and must be evaluated. For assistance, please contact your local Sales Representative or Account Engineer.

SunSource™

Factory-Installed Option



Product Description

The SunSource™ Commercial Refrigeration Energy System integrates solar power directly with an appropriately configured microchannel condenser. The SunSource system allows building owners to take control of their building's energy costs and can even enable grid-free operation during peak generation in many applications.

Features & Benefits

Ease of Installation

- Plug-and-play design
- Micro-inverter design eliminates dangerous high voltage DC power lines which typically require specialists to install• Plug-and-play design
- Allows for integration of solar energy without changes to the building's electrical infrastructure
- Uses specially configured condenser as the interface with the building/grid power supply
- Installation costs can be up to 15% less than traditional solar energy systems

Performance

- Use of multiple micro-inverters increases redundancy to ensure system remains operational even in if an individual inverter fails
- Communication module provides online monitoring of system status, energy production, and environmental benefits in real-time

Safety

- Each micro-inverter has a maximum output of 50 volts. This design is much safer than the design typically found in high voltage DC lines of traditional solar power systems—which can reach as high as 600 volts.
- In the event of a power loss or system shutdown, the micro-inverters stop transmitting power

HyperCore™ Micro-Channel Coils

General Information



Product Description

HyperCore™ microchannel condenser coils, a standard feature on the ½ - 6 HP air-cooled condensing units, are all-aluminum coils with multiple flat tubes containing small channels (microchannels) through which refrigerant flows. Heat transfer is maximized by the insertion of angled and louvered fins inbetween the flat tubes. These components are joined with two refrigerant manifolds using an aluminum-zinc alloy brazing material in a nitrogen-charged braze furnace to make the completed microchannel coil.

Features & Benefits

Improved Heat Transfer Performance

- 20-30% higher than traditional copper-aluminum round-tube plate fin (RTPF) coils with epoxy coating of the same size, enabling comparable capacity achievement with a smaller coil

Improved Corrosion Protection

- Monometal (aluminum) construction gives no opportunity for galvanic corrosion – HyperCore™ microchannel coils have been proven to last up to two times (2X) longer than standard RTPF coils in extended tests

Reduced Refrigerant Charge & Reduced Costs

- Condenser coil refrigerant charge may be reduced by up to 75%, leading to as much as a 40% reduction in system charge and reducing costs for end users

Improved Durability & Reduced Potential for Leaks

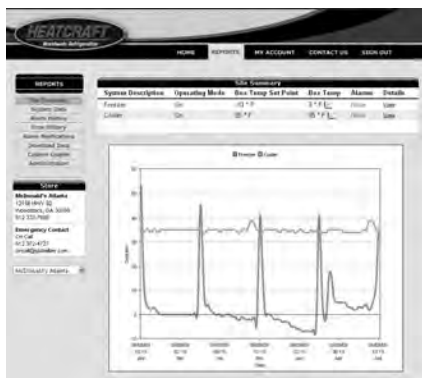
- Require only one manual braze operation versus 50-100 manually brazed joints for RTPF, significantly reducing the likelihood for leaks
- Flat tubes serve as a fin guard to help protect the fins from damage

Environmentally Friendly

- 100% recyclable
- Reduced refrigerant helps decrease the potential for ozone depletion and global warming

Remote Refrigeration Control

General Information



Product Description

The Remote Refrigeration Control, perfect for both foodservice and cold storage applications, is a web based remote monitoring and control service offering that provides instant access 24/7 to real time refrigeration system status and information. Heatcraft is proud to offer the most advanced commercial refrigeration system monitoring package available in the industry. The Remote Refrigeration Control is compatible with both the Beacon II™ Refrigeration System and the Mohave™ Advanced Hot Gas Defrost System.

Features and Benefits

Securely Manage Your Beacon II Refrigeration Systems From Any Web Enabled Device 24/7

- Monitor and control the Beacon II refrigeration system(s) at one or more sites through a single website
- Secure login with multiple user level profiles and access rights

Improve System Efficiency & Reliability

- Real-time system information and advanced reporting/graphing capabilities provide you the tools necessary to keep your system running at peak performance

Increase Product Integrity & Service Call Effectiveness

- System Alarm Alerts sent 24/7 via e-mail or SMS text message notify you promptly of refrigeration system alarm conditions
- Remote troubleshooting capability improves first call resolution by providing refrigeration system data to the user

Strengthen Food Safety Compliance Programs

- Data-logging, advanced reporting capabilities, and alarm notification capabilities help comply with FDA and USDA HACCP food safety requirements

A Service Package That Meets Your Needs

- Collect and display 40+ datapoints from your Beacon II refrigeration system in real-time

For more information, please contact your local Sales Representative or Account Engineer.

Mohave™ Advanced Hot Gas Defrost System

6 to 40 HP Split Systems



Product Description

Mohave™ Advanced Hot Gas Defrost System is a heat pump based design consisting of a vertical discharge condensing unit matched to one or two evaporators, medium profile or large unit coolers. Featuring a state-of-the-art electronic defrost controller, the system operates in all outdoor ambient temperatures (tested to -20°F) and uses a proprietary control scheme to automatically adjust to changing conditions so that the system continues to operate at its most optimal level. The Mohave™ Advanced Hot Defrost System is designed for simplicity and optimal performance for use in agricultural, process cooling, cold storage and warehouse applications. The energy efficiency of this line makes it qualified to be included in the **E Solutions™** product portfolio.

Certifications



Features & Benefits

Most Advanced

- The most sophisticated controller used for hot gas defrost applications
- Optimizes performance with changing conditions. There is no need to seasonally adjust settings!
- Sensors gather information and assess the condition of the system to defrost more efficiently

Most Versatile

- Performs exceptionally in all ambient conditions because the controller automatically adjusts to operate efficiently and effectively. Traditional systems often have to be adjusted by hand twice a year.
- Service switch, which allows the system to “sleep” until needed next, is perfect for seasonal agricultural applications.

Simplest to Use

- Control board is preset with factory settings optimized for model size and refrigerant type. No programming is required!
- Basic and expert menu modes allow for flexibility for various degrees of expertise

Lowest Maintenance

- No valves or times to adjust for seasonal conditions
- No water tank to maintain or check for leaks
- Advanced troubleshooting keeps you in the know all the time, with a minimal amount of effort.
- Special Evacuation Mode opens all necessary valves

Best Investment Protection

- Controller is customized to operate within the specified operation envelope, ensuring the safest and most efficient performance
- No guesswork is involved in the system settings, so you do not have to compromise the integrity of your product
- Detailed error and alarm codes greatly reduce troubleshooting time

Compatible With Heatcraft Vantage™ Console

- Web based remote monitoring and control service offering that provides instant access 24/7 to real time refrigeration system status and information

System Components

Electronic Control Board

- Controller completely manages timing and sequence of defrost
- Automatically compensates for changes in outdoor temperatures
- Monitors all pressures, temperatures, and set points in real time
- Easily programmable through a menu driven interface
- Conformal coated to handle the toughest conditions
- LED indication on the board clearly shows system status
- Remote alarm notification

Vertical Discharge Condensing Unit

- Available Models: 6-30 HP low temperature and 7-40 HP medium temperature
- Featuring Discuss semi-hermetic compressors

Evaporators

- One or two medium profile evaporators or large unit coolers per system

For more information, please contact your local Sales Representative or Account Engineer.

Two Stage Condensing Units & Systems**5 to 30 HP****Product Description**

Two stage condensing, units with Bitzer compressors, matched with 1 or 2 Medium Profile evaporators are designed for applications requiring a suction temperature below -40° F SST. The two stage system can operate down to -65° F SST which allows for room temperatures down to -50° F. These systems are ideal for blood, plasma, pharmaceutical, food and various other storage needs.

Certifications

ETL-508a listed control panel

Standard Features**Condensing Unit**

- Bitzer two stage compressor
- Discharge and suction vibration eliminators
- Discharge muffler
- Encapsulated high pressure switch
- Adjustable low pressure switch with superhose
- Crankcase heater and crankcase pressure regulator
- Compressor contactor w/circuit breaker
- Floating Tube™ coil design
- Flooded head pressure controls
- Pressure fan cycling (multiple fan units)
- Oil separator - return line solenoid valve and time delay
- Mechanical subcooler
- Replaceable core liquid line filter drier
- Suction accumulator and replaceable core suction filter
- Defrost timer
- Defrost heater and evaporator fan contactors with fusing
- Phase monitor, anti short cycle timer, and pumpdown switch

Evaporator

- Thermo-Flex™ coil design
- Thermostatic expansion valve factory installed
- Liquid line solenoid valve factory installed
- Low temperature motors
- Double wall insulated drain pan
- Adjustable defrost termination and fan delay

For more information, please contact your local Sales Representative or Account Engineer.

FlexPack™

5 to 18 HP



FLEXPACK™

Product Description

FlexPack™ multiple compressor condensing units offer the flexibility for a wide range of applications. The modular design accommodates up to three compressors (1/2 to 6 HP Hermetic or Scroll), is available in 230/1/60 or 230/3/60, and with R-22 and R-404A models for medium or low temperature applications. Perfect for restaurants and convenience stores where remote condenser circuits are needed for ice machines, drink dispensers, display cases and more, this product significantly reduces air conditioning energy costs by reducing the heat load in the space. Features of this line provide outstanding results for the refrigeration system and bottom line.

Certifications



Features and Benefits

Flexible Design

- Modular design accommodates up to 3 compressors (1/2 to 6 HP Hermetic or Scroll)
- System capacity range from 5 to 18 HP (dependent upon cabinet size)
- Small footprint
- Rooftop AC style appearance to blend with existing equipment

Reduced Installation Costs and Easy Serviceability

- Hinged access panels to refrigeration and electrical components
- Single roof penetration
- Single-point main power
- Clean and intuitive electrical and piping layout

Durable & Reliable

- 14-gauge galvanized steel frame
- Industrial grade, painted galvanized steel
- 1-year parts warranty
- 4-year optional compressor warranty

Increased Energy Efficiency & Reduced Sound

- Remote condenser circuits reduce heat load into space resulting in lower air conditioning energy costs
- Recessed, vertical-discharge, flush-mounted 18" fans with 1100 RPM motors reduce noise levels

Components

- Fixed high pressure switch
- Fixed low pressure switch on medium and high temperature compressor modules
- Adjustable low pressure switch on low temperatures modules
- Suction service ports on all modules
- Suction accumulator (CS & CF extended temperature compressors)
- Vertical receiver in 6" x 12" or 6" x 27" sizes
- Sealed type liquid line drier and suction filter
- Head pressure control valve
- Aluminum fin coils
- Crank case heater
- Sight glass

Options

- Beacon II Refrigeration System available
- Defrost timer (air or electric)
- Individual compressor circuit breakers or fuses
- Unit fused disconnect
- Copper finned coils
- Polyester coated fins
- Liquid line solenoid valve
- Adjustable low pressure switch on high and medium temperature compressors

For more information, please contact your local Sales Representative or Account Engineer.

Air Handlers

03 to 75 Tons



Product Description

Air Handler units are available in sizes 03 through 75 tons in multiple cabinet styles. This equipment is engineered and built to fit your unique project requirements. Whether it is cooling, heating, or ventilation, multiple coil types and accessories are available to meet specific application needs.

Certifications



Standard Features

Basic Cabinet

- Fan section and a coil section with double wall drain pan.
- Galvanized steel with 1" - 3/4 pound density mat faced fiberglass insulation.
- All fan sections have hinged and latched access doors.

Fan Section

- Motors mount inside of cabinet.
- All units have a single fan design (either forward curved or airfoil)
- Single, double width, double inlet fan wheels for quiet performance and low energy consumption
- Fans are statically and dynamically balanced in fan section before the unit leaves the factory
- Fan bearings are ball bearing type selected for 200,000 hour average life.

Coil Section

- A wide variety of coil types to meet the load requirements of conditioned spaces including water, direct expansion, heat reclaim and steam coils.

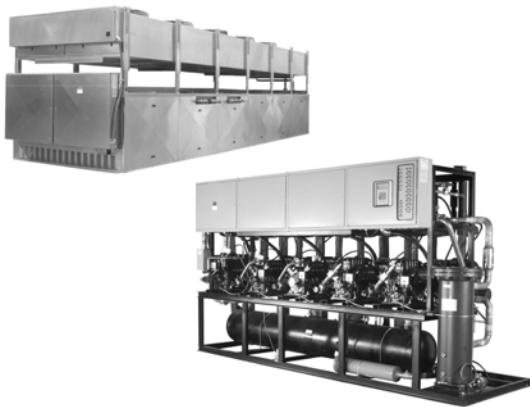
Accessories

- Electric Heaters and remote control panels
- A wide variety of filter sections: flat, high capacity, and high efficiency
- Economizer sections
- Internal or external face and bypass damper section

For more information, please contact your local Sales Representative or Account Engineer.

Refrigeration Racks

Up to 320 HP



Product Description

Providing a high level of design flexibility, racks are offered for indoor and outdoor applications with up to 8 parallel-piped compressors. This equipment is commonly used in cold storage applications. It is engineered and built to fit your unique project requirements and can be used with air-cooled, water-cooled or evaporative-cooled condensers.

Certifications

ETL-508a listed control panel

Standard Features

Cabinet

- Larger capacity in a compact footprint
- 3-8 compressors on one frame

Compressor

- Optimum compressor sizing to meet project requirements
- Compressor combination up to 320 HP

Performance & Service

- Single point wiring and piping
- Designed for optimum energy savings, faster installation and reduced maintenance costs
- Controls up to 3 suction groups
- Total project capacity requirements in one unit
- Microprocessor control
- Defrost function flexibility

Applications

- Food processing plants
- Blast cooling and freezing applications
- Food and beverage distribution facilities
- Hydrocoolers for produce cooling

For more information, please contact your local Sales Representative or Account Engineer.

Compressor Protection Plan

Extended Warranty

Condensing Unit Compressors

Warranty Item ID	Compressor Horsepower	List Price (\$US)
Hermetic Compressors		
ACH0	0.5 - 1.0	498
ACH1	1.1 - 1.9	552
ACH2	2.0 - 2.9	607
ACH3	3.0 - 5.0	670
Semi-Hermetic Compressors (Discuss or Reed)		
ACA0	0.5 - 1.0	832
ACA1	1.1 - 1.9	852
ACA2	2.0 - 2.8	1,269
ACA3	2.9 - 3.9	1,447
ACA4	4.0 - 5.9	2,161
ACD5	6.0 - 6.9	2,592
ACD7	7.0 - 8.9	2,638
ACD11	9.0 - 11.9	3,418
ACD13	12.0 - 14.9	4,121
ACD15	15.0 - 15.9	5,259
ACD21	20.0 - 22.0	6,535
ACD25	25.0 - 27.0	7,363
ACD30	30.0 - 30.9	7,888
ACD35	35.0 - 35.9	8,223
ACD40	40.0 - 40.9	8,612

Warranty Item ID	Compressor Horsepower	List Price (\$US)
Scroll Compressors		
AZL2	2.0 - 2.9	922
AZL3	3.0 - 3.9	1,192
AZL5	4.0 - 5.9	1,245
AZL6	6.0 - 6.9	1,284
AZL7	7.0 - 8.9	2,133
AZL11	9.0 - 11.9	2,283
AZL13	12.0 - 14.9	2,644
AZL15	15.0	2,703
Bitzer Compressors		
BCSL4	3 - 4	1,317
BCSM5	5	1,449
BCSM9	6 - 10	1,507
BCSM12	12	2,049
BCSL13	13	2,491
BCSM15	15	2,434
BCSM20	20	2,767
BCSM22	22	2,896
BCSM25	25	3,527
BCSM30	30 - 33	3,690
BCSM35	35	4,125

Warranty Item ID	Compressor Horsepower	List Price (\$US)
BCSM40	40	4,707
BCSM50	50	5,087

PRO³ Compressors

Warranty Item ID	Model	List Price (\$US)
WARC0-3	PT*019 - 031L6, PST034L6 PT*024 - 072M6, PST066M6 PT*026 - 076H6, PST070H6	369
WARC1-3	PT*044 - 052L6, PST051 - 057L6 PT*099M6, PST086M6 PT*104H6, PST090H6	375
WARC2-3	PT*069L6, PST077L6 PT*128M6, PST124 - 141M6 PT*133H6, PST131 - 147H6	441

Term of Extended Compressor Warranty:

Heatcraft Refrigeration Products LLC (herein after referred to as "Heatcraft") hereby warrants the covered parts and equipment for a period of five (5) years from the date the standard Heatcraft Product Warranty became effective, all as defined below. This warranty shall become effective upon the expiration of the standard Heatcraft Product Warranty applicable to the parts or equipment. As to PRO³ systems and systems with Bitzer compressors, the warranty shall be effective for a period of three (3) years following expiration of the standard warranty. As to all other Heatcraft traditional products, this warranty shall be effective for a period of four (4) years following expiration of the standard warranty.

Covered Parts and Equipment:

Covered parts and equipment shall include only the motor-compressor assembly (the "Assembly") consisting of the rotor, eccentric rod, piston, wrist pin, suction valve, discharge valve and the housing in which these parts are enclosed. The warranty does not apply to any other parts or equipment, and, without limitation, specifically excludes any equipment to which the Assembly is connected (such as cooling coils, temperature controls, refrigerant, metering devices, etc.), and any other parts, such as the condenser, receiver, connecting tubing, and electric controls such as relays, capacitors, pressure control or fan and motor assemblies.

Statement of Warranty:

If, during the term of this Warranty, any Assembly is found to be defective in material or factory workmanship under normal use and regular service, Heatcraft will reimburse to the original Purchaser-user, named above, the cost of a replacement Assembly or replacement parts, as applicable, less the fair exchange value of the part found to be defective. A determination of defectiveness shall be made by the nearest compressor wholesaler to which the part shall be delivered for inspection by the Purchaser-user. The amount of such reimbursement shall not include any charges for freight or for labor of any kind (including, but not limited to, the labor associated with the disassembly, reassembly, repair or other work performed on the equipment), nor for any other expense in connection with such exchange, repair or replacement. Purchaser-user shall establish the amount of reimbursement due by submitting to Heatcraft a true and correct copy of the wholesaler's net invoice and credits for the replacement Assembly or parts. Notwithstanding anything to the contrary herein, in no event shall Purchaser-user be entitled to total reimbursement hereunder exceeding the "limit of Liability" amount reflected below.

Warranty Limitations:

This warranty applies only to the original Purchaser-user, within the boundaries of the United States of America, its Territories and Possessions, and Canada, and is not assignable. The Purchaser-user is that person, persons, association or corporation for whom the assembly is originally purchased and installed. This Warranty does not apply to damage to the Assembly: occurring during transit, caused by alterations to the parts or equipment, or caused by fire, accidents, fluctuating electrical currents (such as those resulting from running the equipment on a generator), Acts of God, misuse, abuse, failure to properly service and maintain the equipment pursuant to the manufacturer's instructions, or use of non-approved refrigerants in the equipment. This Warranty is void if the covered equipment is moved from its original installation site, or if the serial number on the Assembly is altered, defaced, or removed.

Heatcraft makes no express warranties other than the warranty specified in its standard Warranty and, to the extent applicable, the Warranty as contained in the extended warranty. All implied warranties, including the implied warranties of merchantability and fitness for a particular purpose are excluded to the extent legally permissible. Heatcraft shall have no liability for incidental or consequential damages (including, without limitation, claims for loss of income or profits).

Extended Service Agreements**General Information****Product Description**

Today's commercial refrigeration equipment is high-tech. An equipment failure can result in tremendous expense, if it includes repairs, replacement parts, and labor expenses. Equipment owners can potentially save hundreds and even thousands of dollars with a Heatcraft Extended Service Agreement.*

*Limitations Apply. Subject to Service Net terms and conditions. Risk management is provided by Service Net.

Features and Benefits**Complete Peace of Mind**

- Covered repair bills will be paid throughout the term of the agreement*
- Choose the type of coverage required with no deductible to worry about

Buy Tomorrow's Repair Costs at Today's Prices

- Due to outside influences, such as price increases and inflation, repair costs may not remain the same in the future. With an Extended Service Agreement from Heatcraft, equipment owners will have one less worry

Extend Our Manufacturer's Warranty

- Standard coverage is one-year parts. With Heatcraft's Extended Service Agreement, you can extend our manufacturer's warranty for up to five years on parts and labor

What's Covered?

- All Heatcraft evaporators, condensing units, and PRO3 Packaged Systems
- New equipment for up to 5 years. Heatcraft's Extended Service Agreements can be transferred to a new equipment owner for a nominal fee

For more information, please contact your local Sales Representative or Account Engineer.

TERMS OF SALE

ORDER ACCEPTANCE:

All orders must be in writing and are subject to acceptance by SELLER at its principal office.

PAYMENT:

Payment is due net thirty (30) days from date of invoice.

PRICES:

Prices are based on products made to SELLER'S standard manufacturing tolerances. Prices of products are subject to change prior to shipment. SELLER reserves the right to change prices on Buyer's orders to those prices in effect at time of shipment.

FREIGHT ALLOWANCE:

Prices are F.O.B. shipping point, freight allowed on any single purchase order of \$5,000 or more, via lowest common carrier to nearest freight station within continental U.S.A. In addition, Prices are F.O.B. shipping point, freight allowed for multiple orders of less than \$5,000 for which the Buyer schedules consolidation into one shipment equal to or greater than \$5,000 on the same day to one freight station within continental U.S.A.. If special routing is requested for a purchase order of \$5000 or greater (contract haul, requested flatbed delivery, appointment to meet a crane, etc.), Buyer will be assessed a charge for the difference between such routing and normal minimum freight charge to such point. A purchase order less than \$5,000 or a purchase order that meets the \$5,000 criteria but with shipments to multiple ship-to locations will be shipped F.O.B. shipping point, no freight allowed. Buyer will pay ALL costs associated with the shipment of parts and any orders that are shipped via air freight or expedited delivery. Shipments to destinations outside of the continental U.S.A. will incur charges for the additional cost of transport beyond the U.S.A. border.

DELIVERY:

Any delivery dates which may be indicated herein are estimates only and are not guaranteed. Unless otherwise agreed, delivery shall be F.O.B. shipping point. As to those products for which SELLER maintains manufacturing facilities in different locations, the point of manufacture will be at SELLER's discretion. SELLER shall be excused for any delay in deliveries due to acts beyond its control and not due to its fault or negligence, including, but not restricted to, Acts of God or of the public enemy, acts of the Government of the United States, including any preference priority or allocation order, or of any state, territory or possession thereof of any political subdivision or authority or representative of any of them, strikes, lockouts or labor troubles, embargoes, fires, floods, epidemics, quarantine restrictions, explosions, sabotage or other catastrophes or serious accidents, freight embargoes, unusually severe weather, and delays of a subcontractor or supplier due to any such causes.

CREDIT APPROVAL:

If, during the performance hereof, the financial responsibility of Buyer is determined at the sole discretion of SELLER's Credit Department to be unacceptable or if Buyer fails to make any payments in accordance with the terms hereof, then in any such event, SELLER may defer or decline to make any shipments hereunder except upon receipt of satisfactory security or cash payments in advance or SELLER may terminate this order without further obligations of SELLER to Buyer.

TAXES:

Any direct or excise tax which may now or hereafter be imposed by Federal or State Government or any subdivision thereof upon the manufacture, sale, or delivery of the goods covered by this order may be added by SELLER to the purchase price of such goods, and if so added, shall be paid by the Buyer.

PATENTS:

If any product shall be manufactured and/or sold by SELLER to meet Buyer's particular specifications or requirements, and is not part of SELLER's standard line offered by SELLER to the trade generally, Buyer agrees to indemnify SELLER and hold it harmless from liability, as well as from all costs and expenses, in the event of any claim of patent infringement, whether direct or contributory, arising out of the manufacture or sale of such product.

CANCELLATION OF ORDER:

Partial or total cancellations of this order by Buyer may be made only upon SELLER's written consent and on condition that SELLER shall be reimbursed for all losses and damages resulting from such cancellation.

RETURN GOODS:

No products shall be returned without SELLER's written permission. Products returned shall be subject to a handling charge and transportation costs.

PRODUCT CHANGES:

SELLER reserves the right to change specifications, design and material in the interest of product improvement, without incurring obligation to the Buyer. The terms and conditions of an order shall constitute the sole and exclusive agreement between SELLER and Buyer. No waiver of any provision hereof shall constitute a waiver of any other breach or of such provision.

CLAIMS:

Risk of loss shall in every case pass to Buyer upon delivery of the goods to the possession of the carrier. SELLER shall have no responsibility for any claimed shortages. Buyer must (I) notify SELLER of shortages within ten (10) days after receipt of the product; (II) notify agent or carrier within such time of shortage; and (III) file claim with the carrier for the damage or shortage claimed.

TERMS AND CONDITIONS

1. All orders must be in writing. Manufactured-to-order production will not commence unless a written order is provided.
2. Tax Exemption Certificates must be provided for ship-to designated states, or applicable taxes will be added to invoice.
3. Stock items may be cancelled prior to shipment without penalty. Manufactured-to-order items may incur up to 100% of purchase price for cancellation.
4. Standard Catalog Warranty For Products and Service Parts:
 - SELLER warrants to its direct purchasers that products, including Service Parts, manufactured by SELLER shall be of a merchantable quality, free of defects in material or workmanship, under normal use and service for a period of one (1) year from date of original installation, or eighteen (18) months from date of shipment by SELLER, whichever first occurs.
5. Four-Year Extended Compressor Warranty (Optional):
 - Available within the boundaries of the United States of America, its Territories and Possessions, and Canada, and is not assignable.
 - Replacements through authorized compressor distributors only.
 - within first year - warranty by distributor.
 - second through fifth year - supply proof-of-purchase of new compressor to Heatcraft Refrigeration Products Warranty Claims for reimbursement.

ORDER IN-WARRANTY REPLACEMENT

In those instances where it is necessary for our customers to place in-warranty orders, some standard information must be provided when the order is placed with the Customer Service Specialist, or with Warranty Claims personnel.

- Complete model and serial number of unit involved.
- Original purchaser of equipment, original invoice number or acknowledgment number. If information is not available, further research will be necessary to validate warranty.
- Start-up date of the equipment involved.
- Failure date of the part which is being replaced.

In those instances where the defective item was a stock replacement, the model and serial number of the original unit are not required. Service parts for products out-of-original warranty are warranted for a period of one (1) year from date of original installation or eighteen (18) months from date of shipment by SELLER.

At the time the order is placed with the Customer Service Specialist, a determination will be made if the defective material should be returned.

An invoice will be issued to the customer for the replacement material with a notation concerning if the material can be "field scrapped" or if return to the plant of manufacture is required.

Warranty Claims will process a credit memo offsetting the amount of the invoice, plus any surface freight charges. The warranty in effect for equipment and/or parts does not cover the cost of special freight terms.

CANCELLATION OF ORDER

Orders for stock items may be cancelled up until the point of shipment at no penalty. For any built-to-order product, if Buyer has not released such product for shipment within six (6) months of the date of manufacture of such product, SELLER may cancel the order for such product and Buyer shall promptly pay SELLER, as fixed, agreed and liquidated damages and not as a penalty, a sum equal to twenty percent (20%) of the net price of such product, as listed on SELLER's order confirmation for such product, because SELLER's actual costs in the event of such cancellation will be impossible to determine.

SERVICE POLICY AND IN-WARRANTY FIELD REPAIR

The following outline of the Service Policy of Heatcraft Refrigeration Products is a complete explanation as to the purpose and administration of the policy.

Field Service Engineers are available for troubleshooting problems related to Heatcraft Refrigeration Products only. All requests for on-site assistance in diagnosing service problems will be scheduled at the discretion of the Service Department and only after previous attempts to diagnose equipment problems through direct communications with the installing or servicing agencies have failed.

A minimum of two (2) weeks advance notice will be required to arrange an on-site inspection of the equipment installation once it has been deemed necessary to dispatch a Field Service Engineer. Prior to the actual scheduling of the trip, a purchase order from the original customer will be requested and must be on file with the Service Department prior to departure of the Field Service Engineer. If the Field Service Engineer's inspection indicates the problem is due to installation, service, misapplication, or any situation that is beyond Heatcraft Refrigeration Products' control, Heatcraft Refrigeration Products will invoice the customer against this purchase order at the rate of \$650.00 per day (with a two (2) day minimum charge) plus all related travel, lodging, sustenance, and incidental expenses. Should the inspection reveal that the problem is due to deficiencies in material or workmanship by Heatcraft Refrigeration Products, all charges will be forfeited.

In the event that a Field Service Engineer is dispatched to a job site, it is mandatory that a representative of the customer and/or contractor be present at all times while the Service Engineer is on-site. Additionally, all actual service work must be performed by a qualified refrigeration service technician equipped with the appropriate tools and test instruments. Advance arrangements should be made between the customer and Heatcraft Refrigeration Products and communicated to all of the appropriate parties. If this condition is not met, it is at Heatcraft Refrigeration Products' discretion as to whether the Field Service Engineer will continue with the job site inspection.

In-Warranty Field Repair

In some cases where Heatcraft Refrigeration Products feels the customer may be better served, on-the-job repair may be authorized at actual cost for appropriate repair. Specific information must be provided to the Service Department including the complete model and serial number of the equipment involved along with the actual start-up date of the equipment and the name of the original customer and a breakdown of estimated costs to repair. When authorization is given by Heatcraft Refrigeration Products personnel, a Field Repair Authorization Number will be issued. This number will reference the estimated costs of repairs plus all pertinent information concerning the equipment. After completion of the repairs, the original service invoice should be sent to Heatcraft Refrigeration Products' Field Sales Representative, along with copies of any additional documentation required. The invoice must be complete, showing Heatcraft Refrigeration Products as the customer, with a brief description of all work performed, an itemized breakdown of labor and material, along with the model and serial number of the equipment. The Field Repair Authorization Number should also be noted.

When warranty coverage for repairs is expected from Heatcraft Refrigeration Products, the repairs should never be performed without prior authorization from the Service Department (except during periods of extenuating circumstances which may preclude prior contact). In those instances when field labor is performed without the Service Department's prior approval, reimbursement may, or may not be allowed. Our normal policy for reimbursement is by credit memo to the original purchaser. Repair or replacement of the product in these instances shall be the sole responsibility of the customer in each case. Repairs to products determined to be beyond the Standard Warranty period will be at the discretion of the customer or end user.

RECAP OF RETURNED GOODS POLICY FOR FIELD DISTRIBUTION

Returned Goods Policy

- **Contact your Sales Representative or the Warranty Claims Department for prior authorization. No product will be accepted for credit without a properly completed authorization tag. The Return Material Authorization (RMA) Number must be marked clearly on the outside of the carton and a copy of the RMA should accompany the returned material.**
- **MANUFACTURED-TO-ORDER (NON-STOCK) UNITS ARE NOT ELIGIBLE FOR RETURN.**
- Goods requested to be returned for restock to Heatcraft Refrigeration Products' inventory must be in a new, unused, and salable condition, in the original cartons, and less than one year from the original invoice date.
- If an item has been field scrapped, no RMA is needed.
- Warranted units and/or parts found to be defective upon Seller's examination will be repaired or replaced. Heatcraft Refrigeration Products will require the following:
 - Complete model and serial number of the unit.
 - Start-up date of unit and failure date of unit.
 - Original invoice or acknowledgment number along with the original equipment purchaser's name.
- If an advance replacement is needed, contact your Customer Service Specialist.
- All returns that are the responsibility of the customer will be subject to a restocking charge as follows:

MINIMUM 20% RESTOCKING CHARGE WITH A MINIMUM \$50.00 CHARGE

- Goods must be returned prepaid (unless authorized otherwise) within 60 days of date on RMA. Failure to return goods within sixty (60) days may result in:
 1. Refusal of materials.
 2. Loss of credit.

Standard Warranty:

Seller warrants to its direct purchasers that Products, including Service Parts, shall be of a merchantable quality, free of defects in material or workmanship, under normal use and service for a period of one (1) year from date of original equipment start-up, or eighteen (18) months from date of shipment by Seller, whichever first occurs. This warranty runs to only the original purchaser of equipment or part. Any Products covered by this warranty found to Seller's satisfaction to be defective upon examination at Seller's factory will at Seller's option, be repaired or replaced and returned to Buyer via lowest common carrier FOB seller's point of shipment. This is buyer's sole and exclusive remedy and, except as provided in the next sentence, seller's sole and exclusive liability in connection with the warranty. Or Seller may at its option grant Buyer a credit for the purchase price of the defective Product. Buyer must prepay all costs for transportation of Products to Seller's factory.

Seller shall have no liability for expenses incurred for repairs made by Buyer except by prior, written authorization. Any claim under this warranty shall be made to Seller in writing within the warranty period specified above – otherwise such claim shall be deemed waived. Seller shall have no warranty obligation whatsoever if its products have been subjected to alteration, misuse, negligence, free chemicals in system, corrosive atmosphere, accident, or if operation is contrary to Seller's or manufacturer's recommendations, or if the serial number has been altered, defaced, or removed.

THIS WARRANTY IS IN LIEU OF ALL OTHER WARRANTIES, EXPRESSED, IMPLIED OR STATUTORY, INCLUDING, BUT NOT LIMITED TO ANY WARRANTY OF MERCHANTABILITY OR FITNESS, AND ALL OTHER OBLIGATIONS OR LIABILITIES OF SELLER ARE HEREBY DISCLAIMED.

Additional Warranties:

The Standard Warranty specified above applies to all Products and Service Parts unless modified by the following:

THERMO-FLEX™ OR FLOATING TUBE™ DESIGN COIL

Seller warrants the Thermo-Flex/Floating Tube Design Coil of the "BM", "BH", "CM", "CH", "HM", "HH", "MM", "ML" or "LH" series of Unit Coolers; coil section of the "BLV", "BDVS", "BBV", "JLD", "JDDS", "JBD", "BDT", "BDN", "BDS", "BDB", "BZT", "BZN", "BZS", "BZB", "CDD", "CDDS", "CDT", "CDN", "CDS", "CZT", "CZN", "CZS", "HDD", "HDDS", "HDT", "HDN", "HDS", "HZT", "HZN", "HZS", "LDV", "LDVS", "LDD", "LDDS", "LDT", "LDN", "LDS", "LZT", "LZN", "LZS" condensing units; and coil section of the "BN", "CN", "HN" or "LN" models of Air-cooled Condensers for a period of five (5) years from shipping date, in the event of any documented and verified (by Seller's representative) leaks in the coil tubes containing refrigerant at the point of and caused by tube contact with the end or center coil support sheets.

Seller will also reimburse the replacement cost of lost refrigerant for a period of five years from the date of shipment from leaks specifically caused by the reasons stated above. The replacement cost will be limited to one full system charge. The warranty specifically excludes leaks at header and weld joints, split tubes or leaks caused by failure to operate the product in accordance with published guidelines for operation and installation of equipment. The cost of replacement refrigerant will be limited to Seller's indexed nationwide average of refrigerant cost per pound. The warranty excludes any fines/fees related to refrigerant leaks.

Air-cooled CONDENSERS "BN", "CN", "HN", "LN" or "NRG" Models

Seller warrants Air-cooled Condensers "BN", "CN", "HN", "LN" or "NRG" Models for a period of two (2) years from date of original installation, or 30 months from the date of shipment by Seller, whichever first occurs.

Optional EC Condenser Fan Motors EC Motors

- Seven (7) Blade motor assemblies - for a period of four (4) years from date of original installation, or fifty-four (54) months from date of shipment by Seller, whichever first occurs.
- Five (5) Blade motor assemblies - for a period of three (3) years from date of original installation, or forty-two (42) months from date of shipment by Seller, whichever first occurs.

Unit Cooler EC Fan Motors

Seller warrants EC Motors (made by McMillan) for a period of two (2) years from date of original installation, or thirty (30) months from date of shipment by Seller, whichever first occurs.

Beacon II™ CONTROL SYSTEMS

Seller warrants the Beacon II™ Control System for a period of three (3) years from the date of original installation, or forty-two (42) months from the date of shipment by Seller, whichever first occurs.

PRO³ PACKAGED REFRIGERATION SYSTEM:

Seller warrants the PRO³ Packaged Refrigeration System for a period of two (2) years from date of original installation, or thirty (30) months from date of shipment by Seller, whichever first occurs.

HYPERCORE™ Microchannel Coil

Seller warrants the Hypercore™ Microchannel Condenser Coil for a period of two (2) years from date of original installation, or thirty (30) months from date of shipment by Seller, whichever first occurs.

SMART DEFROST KIT™

Seller warrants the Smart Defrost Kit™ for a period of two (2) years from date of original installation, or thirty (30) months from date of shipment by Seller, whichever first occurs.

MOTOR COMPRESSORS:

Motor compressor replacements or exchanges shall be made through the nearest authorized wholesaler of the motor compressor manufacturer (not at Seller's factory) and no freight shall be allowed for transportation of the motor compressor to and from the wholesaler. The replacement motor compressor shall be identical to the model of the motor compressor being replaced. Additional charges which may be incurred throughout the substitution of other than identical replacements are not covered by this warranty. An optional, non-assignable, three (3) or four (4) year extended compressor warranty may be purchased within the boundaries of the United States of America, its territories and possessions, and Canada. With this extended compressor warranty, replacements are administered by an authorized compressor distributor only. Replacements within the first year of the warranty are available through the distributor; the second through fifth years, the purchaser must submit a proof-of-purchase of a compressor and supply it to Heatcraft Warranty Claims for reimbursement.

THIS WARRANTY SHALL NOT APPLY:

1. Glass is not guaranteed against breakage. If this refrigerator is equipped with a glazing assembly carrying the manufacturer's brand name (Thermopane, Twindow, etc.), the manufacturer's glazing warranty in effect at the time of this shipment is extended to that assembly.
2. BULBS: Light bulbs, fluorescent lamp tubes and LEDs are not covered by any warranty for length of life or for any type of breakage.
3. To the condensing unit used with refrigerated equipment unless same was sold and shipped by Seller
4. When this equipment or any part thereof is damaged by accident, fire, flood, act of God, alteration, abuse, misuse, tampering, when the original model and serial number plate has been altered, defaced, or removed or used other than the recommended application by Seller.
5. When this equipment or any part thereof is subject to operation on low, high or improper voltages. Low and high voltage is defined as more than a 5% drop below or 10% higher than name plate voltage ratings. NOTE: Proper field supply voltage to the equipment is the responsibility of the owner (end user).
6. To damage caused by overloading shelves or wire racks beyond the specified weight limits. The maximum weight limit for Seller's standard shelves and wire racks is 30lbs per square foot.
7. When this equipment or any part thereof is damaged, or when operation is impaired, due to failure to follow installation manual. NOTE: Proper installation is the responsibility of the installer, owner (end user).
8. Operational issues caused by ambient environmental conditions outside of the specified limits. Seller's indoor equipment is specified to operate in a conditioned ambient environment not to exceed 75 degrees Fahrenheit or 55% relative humidity. NOTE: Providing specified ambient environmental conditions are the responsibility of the owner (end user).
9. To equipment with final destinations unknown to seller as indicated on the original sales order.
10. To labor cost for repair or replacement of parts.
11. To special or expedited freight or shipping charges or to customs duties to any country.
12. If the Warranty holder fails to comply with all the provisions, terms and conditions of this Warranty.

Parts replaced under this Warranty are warranted only through the remainder of the original Warranty.

Extended Service Agreements are provided by a third party not affiliated with Seller. The services provided by the third party are subject to the terms and conditions of the Extended Service Agreements and Seller is not responsible for those services or the third party's performance of its obligations.

IT IS EXPRESSLY UNDERSTOOD AND AGREED THAT SELLER SHALL NOT BE LIABLE TO BUYER, OR ANY CUSTOMER OF BUYER, FOR INDIRECT, SPECIAL, INCIDENTAL, CONSEQUENTIAL OR PUNITIVE DAMAGES, INCLUDING LOSS OF PROFITS, ADDITIONAL LABOR COSTS, LOSS OF REFRIGERANTS OR FOOD PRODUCT, OR ANY INJURY TO PERSON OR PROPERTY CAUSED BY DEFECTIVE MATERIAL OR PARTS OR FOR ANY DELAY OR MISPERFORMANCE IN THE PERFORMANCE DUE TO CAUSES BEYOND ITS CONTROL OR FOR ANY EXPENSES INCURRED BY REASON OF THE USE OR MISUSE BY BUYER OR THIRD PARTIES OF THE PRODUCTS. SELLER'S MAXIMUM LIABILITY FOR DIRECT DAMAGES IS LIMITED TO THE AMOUNT PAID BY THE BUYER FOR THE PARTICULAR ITEM OF EQUIPMENT OR PART INVOLVED.

NOTE: IN THE CONSTANT EFFORT TO IMPROVE OUR PRODUCTS, WE RESERVE THE RIGHT TO CHANGE AT ANY TIME SPECIFICATIONS, DESIGN, OR PRICES WITHOUT INCURRING OBLIGATION.

Q: What is Heatcraft Refrigeration's standard warranty?

A: All units sold by Heatcraft Refrigeration Products are covered under the standard catalog warranty. The basic terms of the standard catalog warranty is as follows: Products warranted for one year from date of original installation, or eighteen (18) months from date of original shipment, from Heatcraft Refrigeration Products, whichever occurs first.

Replacement parts used on equipment past warranty terms are warranted for 1 year from date of installation

View Catalog Products Warranty section for more detailed information

Q: How do I know if my Heatcraft Refrigeration unit is in warranty?

A: Contact Heatcraft Refrigeration Product's warranty department at (800) 537-7775 with the model and serial number of the equipment that was serviced along with the equipment's original installation date

Q: How do I submit a warranty claim?

A: Warranty claims should be submitted to the original purchaser of your Heatcraft Refrigeration Products equipment. If assistance is needed to identify the equipment's original purchaser you can contact Heatcraft Refrigeration Product's warranty department at (800) 537-7775 with the model and serial number of the equipment that was serviced.

Q: How do I get a warranty claim form?

A: Heatcraft Refrigeration Product currently does not have a warranty claim form. Instead, all warranty claims for Heatcraft equipment are processed through the original purchaser of the equipment serviced.

Q: How do I return material (defective/new and unused)?

A: The original purchaser must receive written permission from Heatcraft Refrigeration Products to return the product. Contact the Heatcraft Field Sales Representative or a Heatcraft Refrigeration Product's warranty representative at (800) 537-7775.

Q: Who do I contact to service my Heatcraft Refrigeration equipment?

A: Heatcraft Refrigeration Products does not have authorized service contractors. A qualified refrigeration service contractor of your choice is permitted to service Heatcraft equipment as needed. All service contractors should contact Heatcraft Refrigeration Products warranty department to confirm warranty status prior to beginning any service related work

Q: How do I get an "in-warranty" replacement part?

A: You can contact Interlink Parts for in-warranty replacements using one of the following:

By phone at (800) 686-7278 between the hours of 7:30 AM to 4:30 PM Central Time or by email at interlinkparts@heatcraftprd.com

Q: How do I locate an authorized Heatcraft Refrigeration wholesaler?

A: You can locate authorized Heatcraft Refrigeration Products parts wholesalers in your area by using one of the following:

By contacting a Heatcraft Refrigeration Products Customer Service Representative at (800) 537-7775 between the hours of 8:00 AM to 5:30 PM Eastern Time or by clicking one of the various wholesaler links found on Heatcraft Refrigeration Products Warranty Webpage

Q: How can I check the status of a warranty claim once submitted?

A: You can contact Heatcraft Refrigeration Product's warranty department at (800) 537-7775. Make sure to have your Heatcraft equipment serial number handy for reference purposes.



2175 West Park Place Blvd. • Stone Mountain, GA 30087

Phone: 800.537.7775 • Fax: 770.465.5990